

## D50S.XXX.XX.EX Ex Europrofile cylinder

---

### System-level description

The patented, award winning iLOQ S50 locking system offers advanced security and convenient access sharing capabilities for master-key locking systems in potentially explosive atmospheres.

The iLOQ D50S Europrofile cylinders harvest electricity wirelessly from the NFC field. This technology transforms a smartphone into a key and power source making the lock completely battery-free. Because no batteries are required, the locks are a maintenance-free and environmentally-friendly green solution that reduces workload, costs, waste and harm associated with battery-powered solutions.

The iLOQ S50 doesn't have a keyway due to contactless NFC technology. The lock is designed for exposure to harsh environments and extreme climates, while remaining water-resistant and dustproof.

The smartphone as a key provides exceptional features coupled with high security. With flexible access sharing, time restrictions and audit trail reporting over-the-air, security gaps caused by lost keys can be eliminated completely without costly changes to locks and keys.

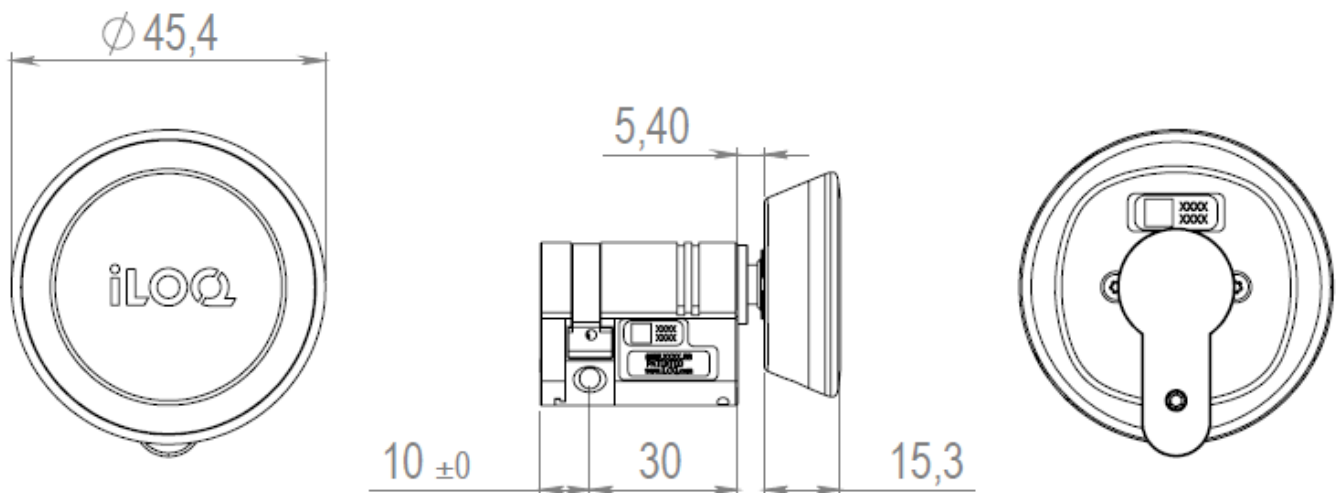
The cylinder body is 40 mm long.

---

### Feature summary

- Ex classification for gas: Ex ib IIB T6 Gb
- Ex classification for dust: Ex ib IIIC T85C Db
- ATEX certificate number: EESF 25 ATEX 005X
- IECEx certificate number: IECEx EESF 25.0004X
- Battery-free programmable electromechanical lock cylinder for iLOQ S50 locking system
- NFC-powered: no batteries required for the lock
- Opening with NFC enabled Android phone or iLOQ K55S Key Fob
- Secured using powerful AES256 encryption and mutual authentication
- Initial programming with PC and iLOQ P55S.1 Programming Token in connection to server
- Access right list for access groups
- Blocklist for individual lost keys
- Internal audit trail record with time stamp (can be configured on/off)
- Supports time restrictions
- Can be configured to require online opening authentication
- Re-programming with keys (Android phone or K55S Key Fob)
- Firmware updateable
- NFC 13,56 MHz Load modulation (ASK) ISO/IEC 14443A, no transmitter.

## Dimensional drawing



## Memory capacity

|                                  |     |
|----------------------------------|-----|
| Number of access rights .....    | 210 |
| Number of blocklisted keys ..... | 500 |
| Number of time slots .....       | 10  |
| Size of event log .....          | 500 |

## Technical data

|                                                       |              |
|-------------------------------------------------------|--------------|
| Ingress protection rating .....                       | IP55         |
| Surface treatment .....                               | Satin chrome |
| Attack resistance (EN 15684:2020) .....               | Grade 0      |
| Category of use (EN 15684:2020) .....                 | Grade 1      |
| Credential related security (EN 15684:2020) .....     | Grade D      |
| Durability (EN 15684:2020) .....                      | Grade 6      |
| Environmental resistance (EN 15684:2020) .....        | Grade 4      |
| Fire/smoke resistance (EN 15684:2020) .....           | Grade B      |
| Mechanical key related security (EN 15684:2020) ..... | Grade 0      |
| System management (EN 15684:2020) .....               | Grade 3      |
| Other certificates .....                              | FCC, ISED    |