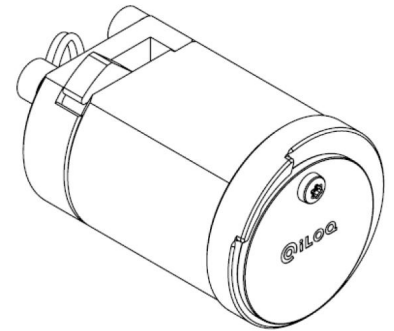
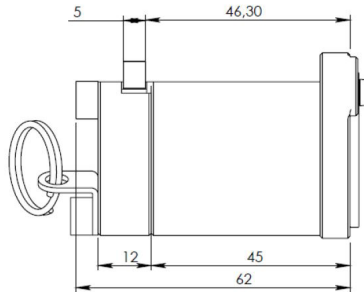
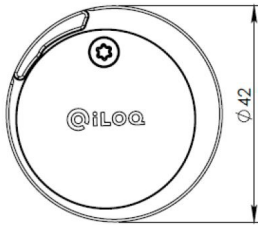


iLOQ KEY-TUBE LOCK C00S.3



C00S.3 dimensions

General

The patented, award winning iLOQ S10 locking system offers advanced security and convenient access management for master-key locking environments.

The iLOQ C00S.3 key tube lock enables usage of the iLOQ S10 locking system in key tube applications. Key tube applications are designed for environments where a third party organization, like fire service or a telecommunication company, needs to have access to the premises/buildings using their own key. The key to the premises is placed in wall mounted key tubes, which the organizations can open using their own key.

The self-powered iLOQ C00S.3 key-tube operates in harsh environments. It records audit trail of the key usages and enables flexible access management for each key and each key-tube. The security level is kept high and security gaps caused by lost key can be eliminated completely without costly change of locks and keys. The key-tube locks fit into standard 45 mm key-tubes.

iLOQ C00S.3 key-tube lock in brief

- Programmable electromechanic key-tube lock for iLOQ S10 locking system
- Self-powered: no batteries or external energy source required for the lock and key, and no need for cabling
- All iLOQ C00S.3 key-tube locks and iLOQ K10S keys are mechanically identical
- Fits into standard 45 mm key-tubes, and therefore easy to install
- Dust and rain protected keyway
- Secured using powerful encryption methods; unique 64bit challenge and SHA-1 computed 160bit MAC pair for key authentication
- Programmed using a PC and the iLOQ P10S.10 Programming device
- Blacklist for individual lost keys
- Access group list for key accesses
- Pre-blacklisting of lost key using a replacing key
- Firmware updateable

Product versions

C00S.3..... Key-tube lock

Memory capacity

	16 bit*	24 bit*
Amount of standard and/or conditional access right groups.....	210	140
Amount of access rights with version-data.....	1+208 standard/conditional	1+138
Amount of blacklisted lost keys.....	210	140
Pre-blacklist for replaced keys.....	256	256
Event log	512	512

* Access right capacity varies according to used locking system, 16 or 24 bit.

C00S.3 key tube lock is based on the C10S.1 lock cylinder.

Technical data of C10S.1

Durability EN15684:2013-01 (Grades 4-6).....	Grade 6, 100 000 cycles (equivalent to 200 000 openings)
Electronic key related security EN15684:2013-01 (Grades A-F).....	Grade F (1000 000 000 combinations, protected communication)
Temperature range.....	-35 °C...+70 °C
Optional real time clock.....	10 years operation time Time shifting max +/- 2 minutes per month
Ingress protection rating.....	IP21
Attack resistance EN15684:2013-01 (Grades 0-2)	Grade 2**
Certifications	Finnish FK, class 1** and 3** Swedish SBSC, class 4**

** With appropriate escutcheon