



iLOQ S5/S10/S50

iLOQ Padlocks

H5S/H10S

H50S.x31.xx

H50S.x41.xx

H50S.x51.xx

H50S.x61.xx

User Guide



02/2026

Rev. 1.0

Document ID

320911

iLOQ Oy



support.iloq.com

Contents

1.	Safety Information.....	3
1.1	Safety signs	3
2.	Overview.....	3
3.	Before installation	3
3.1	General notes.....	3
3.2	Care & maintenance	4
3.3	After installation	4
4.	Installation.....	4
5.	Operating instructions for iLOQ H5S/H10S padlock.....	5
5.1	Opening the iLOQ H5S/H10S Padlock	5
5.2	Closing the iLOQ H5S/H10S Padlock.....	6
6.	Operating instructions for iLOQ H50S padlock.....	7
6.1	Opening the iLOQ H50S Padlock	7
6.2	Closing the iLOQ H50S Padlock.....	10
6.2.1	Locking manually (H50S.x41 and H50S.x61 versions)	10
6.2.2	Locking with a key (H50S.x31 and H50S.x51 versions)	11
6.3	Read the status of the lock (H50S.x51 and H50S.x61 versions)	12
7.	Replacing the iLOQ H50S reader knob.....	14
8.	Disposal of decommissioned products.....	15
9.	Compliance	16
9.1	iLOQ H5S/H10S padlocks	16
9.2	iLOQ H50S padlocks	16

1. Safety Information

1.1 Safety signs

Sign	Description
	General notice sign. Indicates particularly important information about the installation or product.
	Read these instructions carefully before using products. This information is to ensure your safety and long lifetime of the products.

2. Overview

The iLOQ H5S and H50S padlocks are battery-free, programmable electro-mechanical padlocks that are a part of the iLOQ 5 Series product family and can be programmed to the iLOQ 5 Series locking system. The iLOQ H10S padlocks are battery free, programmable electro-mechanical padlocks that are a part of the iLOQ S10 product family and can be programmed to the iLOQ S10 locking system. The padlocks are available with different shackle lengths (grade 3: 25 /60/110 mm, grade 4: 28/50 mm & grade 5: 27/50 mm). The H50S padlocks are NFC-powered, no batteries are required. H50S.x51.28 and H50S.x61.28 support the feature “Read lock status”. The status of a lock is read with iLOQ App and shown in the status of the lock in iLOQ Manager. Two different versions are available: the H50S.x31/H50S.x51 is unlocked and locked with a key and the H50S.x41/H50S.x61 is lockable without a key.

3. Before installation

3.1 General notes

- The instructions should be carefully followed during installation. If there are any deviations from the contents in foreign language versions of the documentation, the English original shall apply in case of doubt.
- These instructions and any maintenance instructions should be passed on by the installer to the user.
- The iLOQ Padlocks must be installed and used effortlessly without the use of excessive force. Do not drop the product.
- Do not modify the product in any way, except in accordance with those modifications described in these instructions.

- All components necessary for the specific installation should be fitted.
- The padlock has a 24 month warranty.
- The key has to be kept securely so that only an authorized person may have access.
- In case of losing a key, blocklisting of the lost key shall be done with the iLOQ Manager software and affected locks shall be reprogrammed.
- We reserve the right to make modifications or further technical developments without further notice.

3.2 Care & maintenance

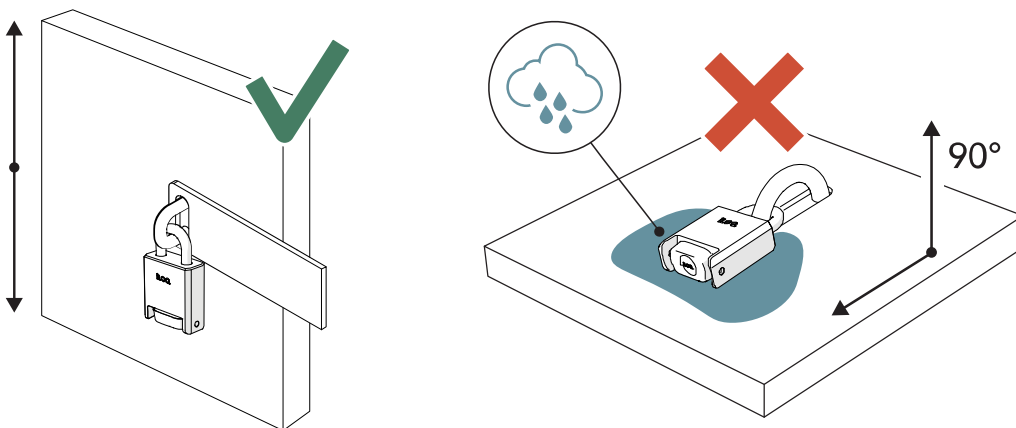
The product is designed to be maintenance-free. It does not require any regular maintenance.

3.3 After installation

Test the padlock functionality after installation to ensure that it does not prevent the lock application from working properly.

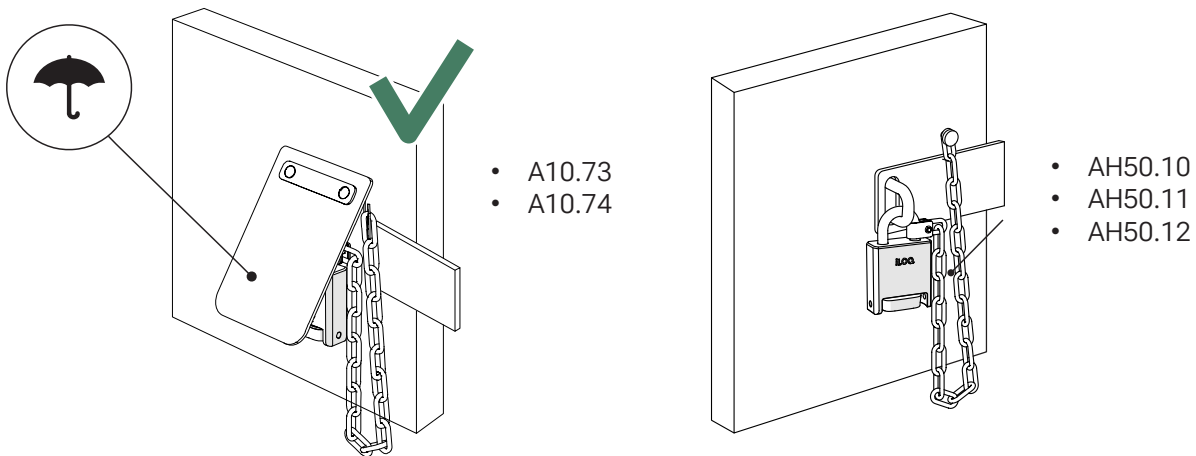
4. Installation

- Install the padlocks so that they hang freely and cannot be submerged in water.



- Use a rain cover (iLOQ A10.73 or A10.74) to ensure the longevity and functionality of the padlocks.

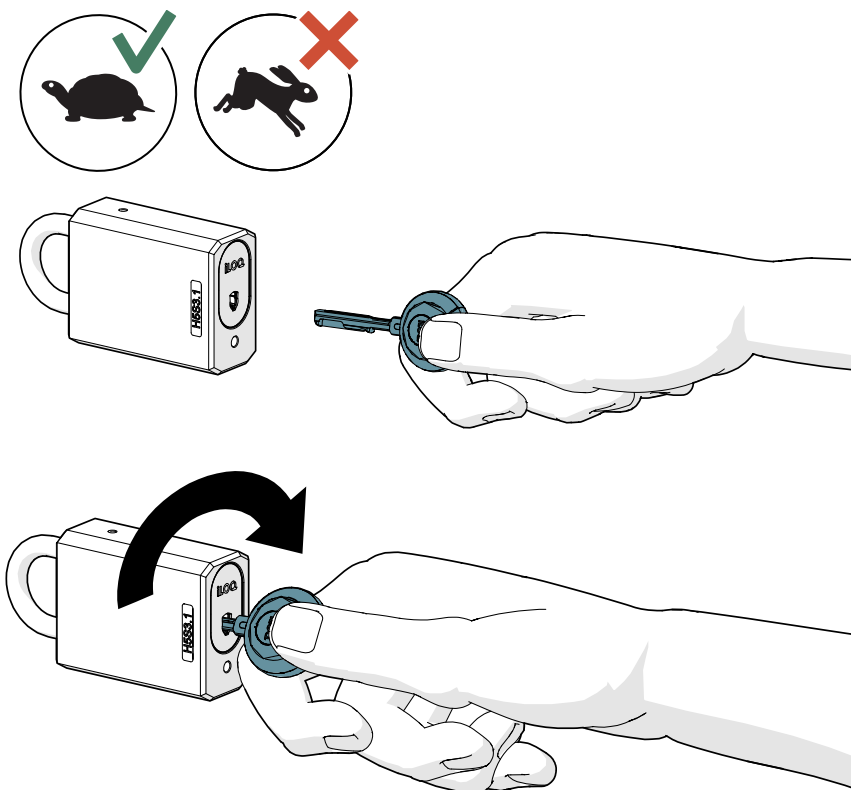
- An accessory chain (iLOQ AH50.10, AH50.11 or AH50.12) can be used to secure the padlocks to the installation site.



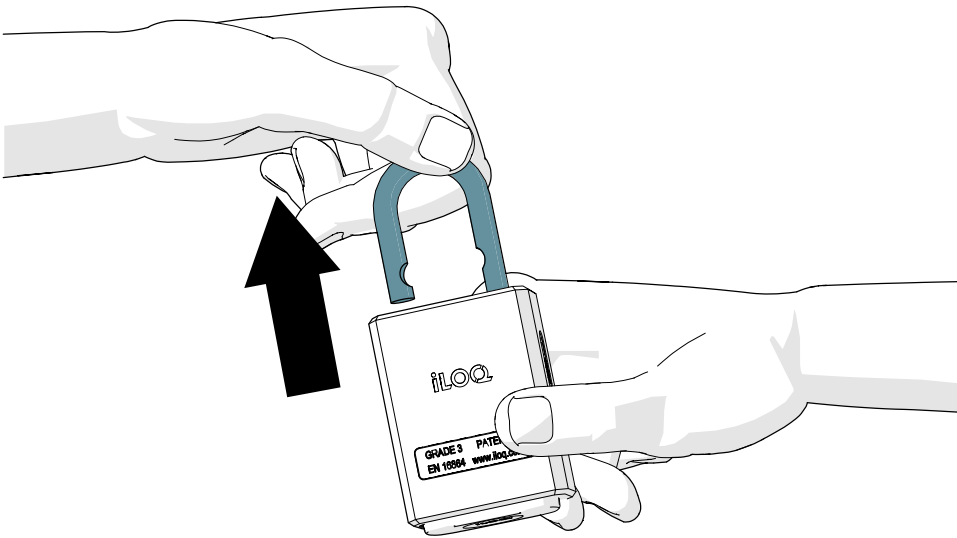
5. Operating instructions for iLOQ H5S/H10S padlock

5.1 Opening the iLOQ H5S/H10S Padlock

1. To open the H5S/H10S padlock, insert the iLOQ key slowly and turn clockwise.

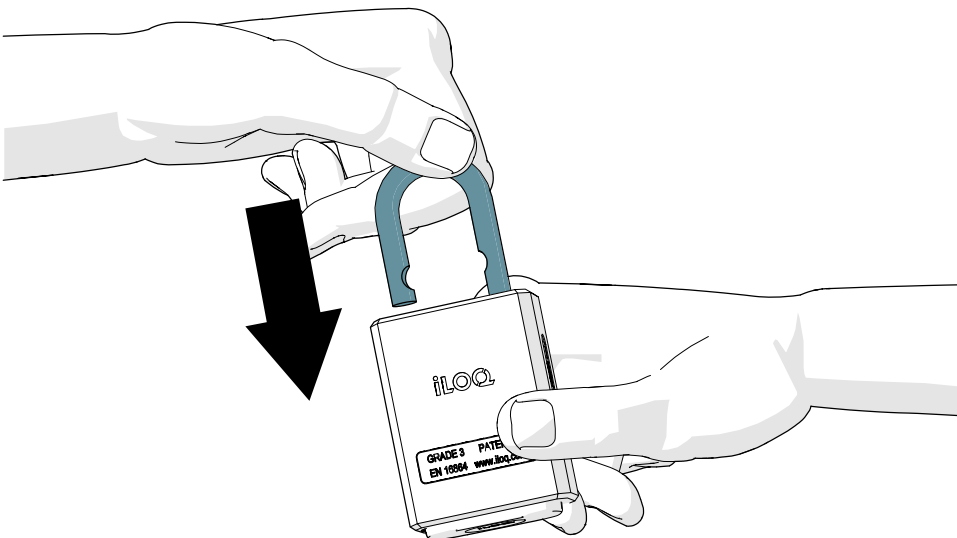


2. Pull the shackle open.

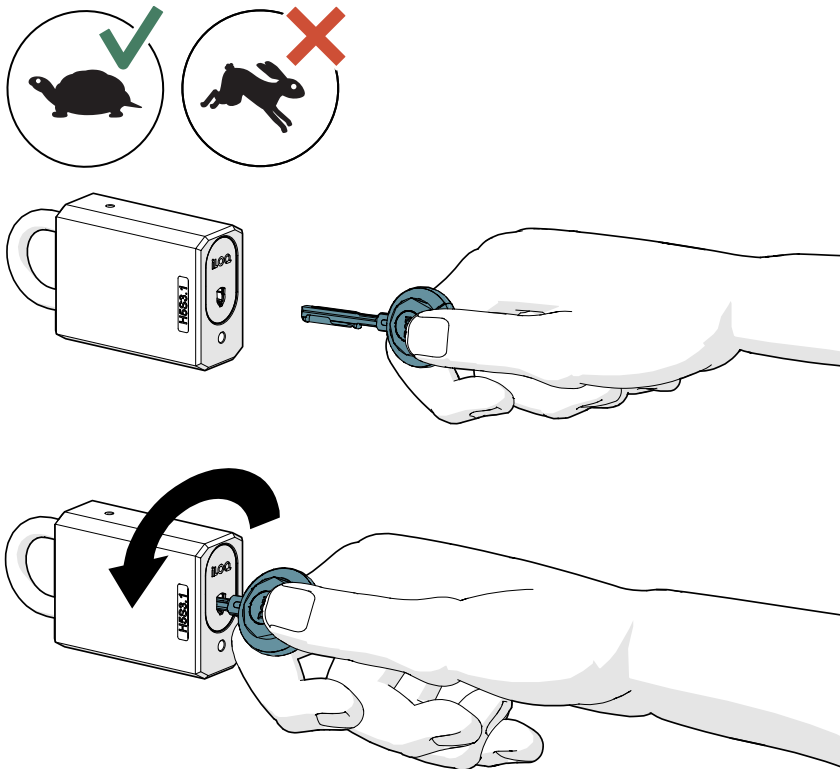


5.2 Closing the iLOQ H5S/H10S Padlock

1. Close the shackle.



2. Insert the iLOQ key slowly and turn counterclockwise until the key is in neutral position.



3. After closing the lock, remove the key.

6. Operating instructions for iLOQ H50S padlock

6.1 Opening the iLOQ H50S Padlock

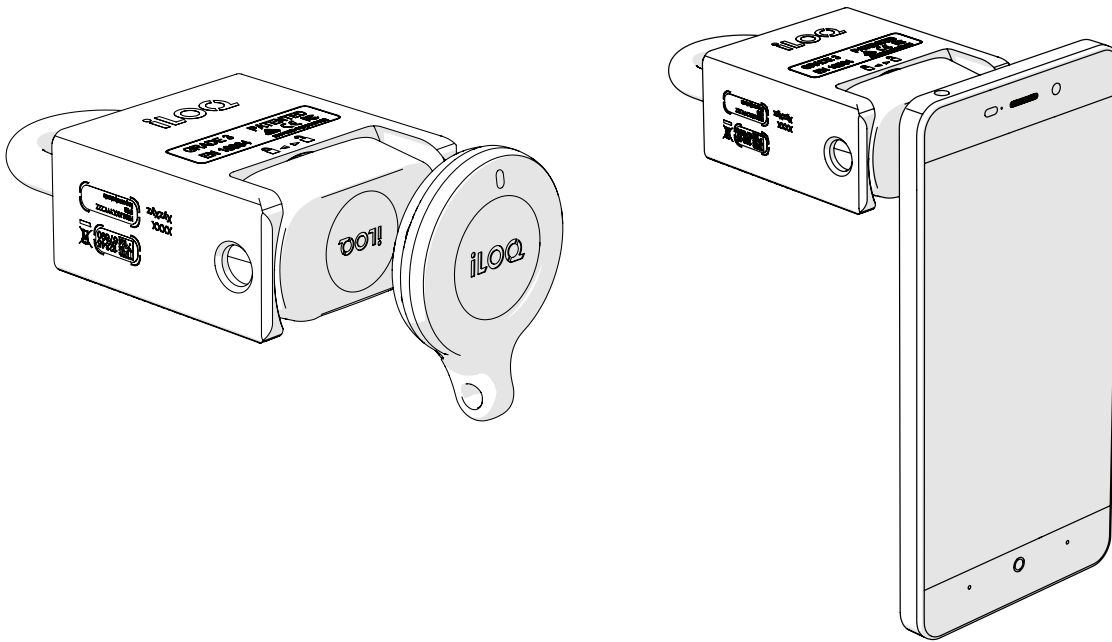
Before using the locks, please check the location of the NFC antenna in your phone to know the best position to hold the phone against the lock-reader knob. Information may be available in the datasheet of your phone. With Android mobile phones you may be able to check the NFC antenna location from the mobile phones NFC menu/information.



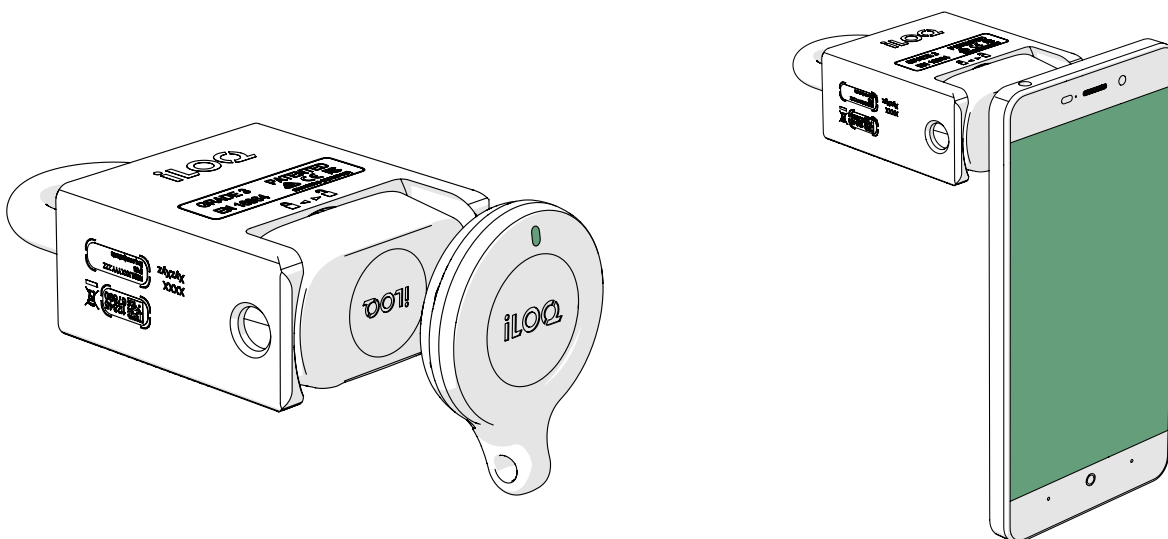
NOTE! Due to large variety of NFC enabled phone models and operating system versions, iLOQ cannot guarantee that all NFC-enabled phones will work seamlessly with our locks.

To open the H50S padlock, you can either use:

- An iLOQ S50 Key Fob (with a valid access right), by placing the Key Fob in the middle of the black knob as shown on the left hand side picture.
- A mobile phone with an NFC capability, by placing the NFC aerial in the middle of the knob, as shown on the right hand side picture.



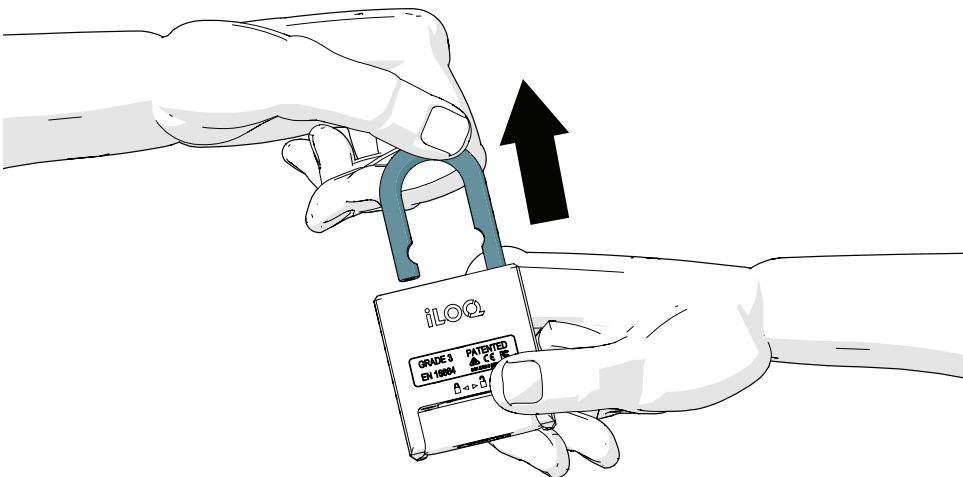
1. Present a valid key to the reader knob to activate the lock. Wait until the key shows a green light to indicate that the lock is unlocked.



2. Turn the reader knob clockwise 180°. The lock stays in the open-status for 5 to 15 seconds and automatically returns back to the locked-status if not opened (depending on the configured lock opening time).



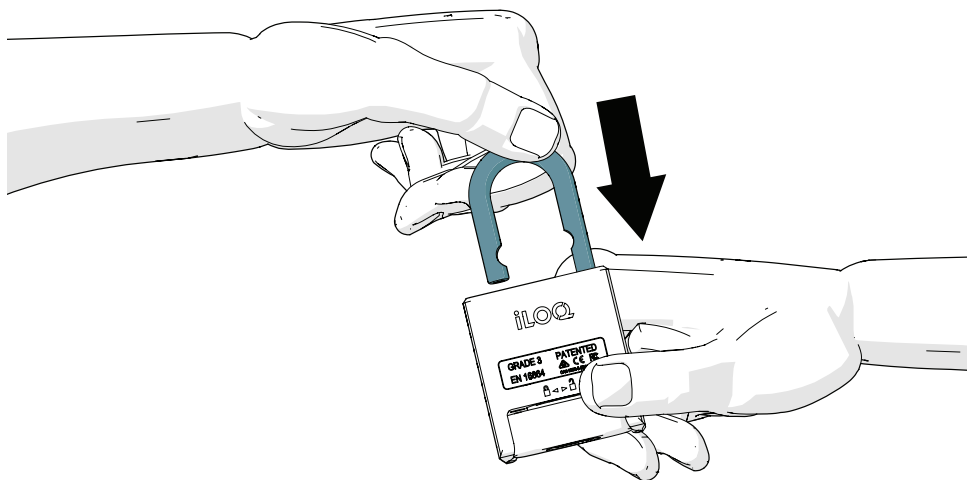
3. Pull the shackle open.



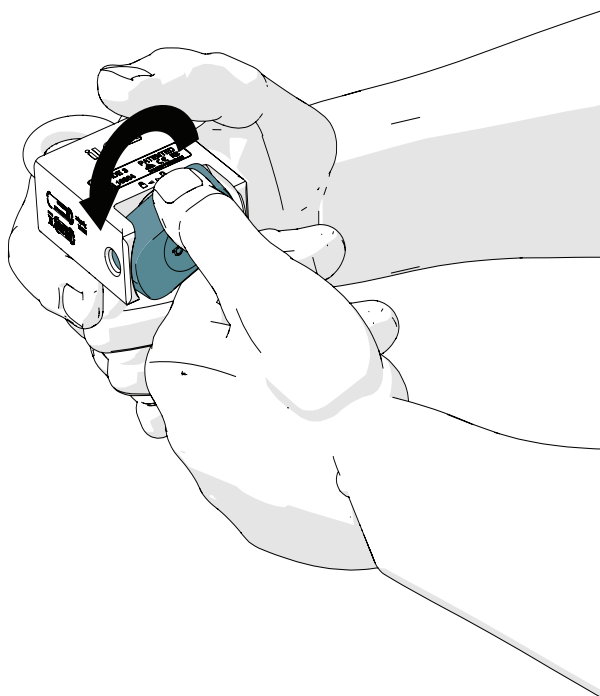
6.2 Closing the iLOQ H50S Padlock

6.2.1 Locking manually (H50S.x41 and H50S.x61 versions)

1. Close the shackle.



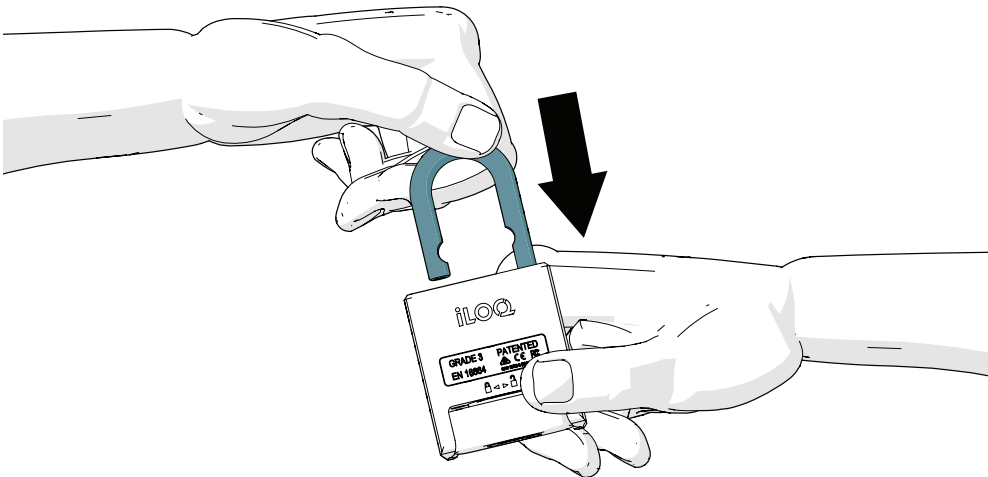
2. Turn the reader knob 180° counterclockwise.



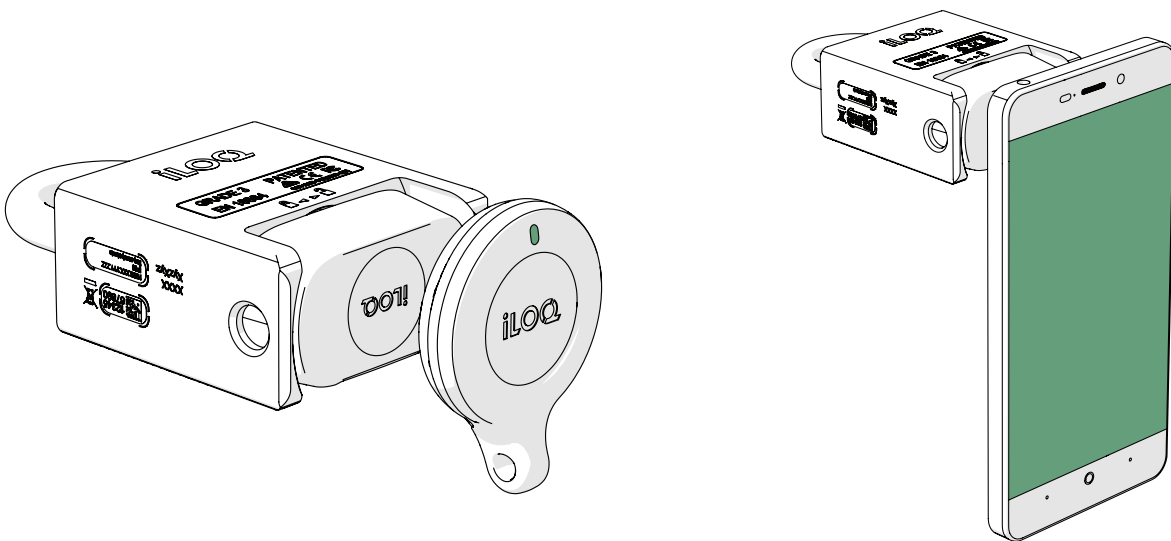
3. After closing the lock, ensure that the knob is in locked position and the padlock remains closed.

6.2.2 Locking with a key (H50S.x31 and H50S.x51 versions)

1. Close the shackle.



2. Present a valid key to the reader knob to activate the lock. Wait until the key shows a green light to indicate that the lock is unlocked.



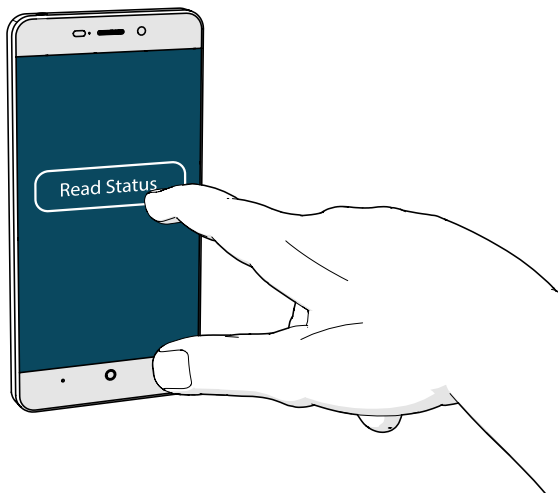
3. Turn the reader knob 180° counterclockwise. The lock stays in the open-status for 5 to 15 seconds and automatically returns back to the locked-status if not opened (depending on the configured lock opening time).



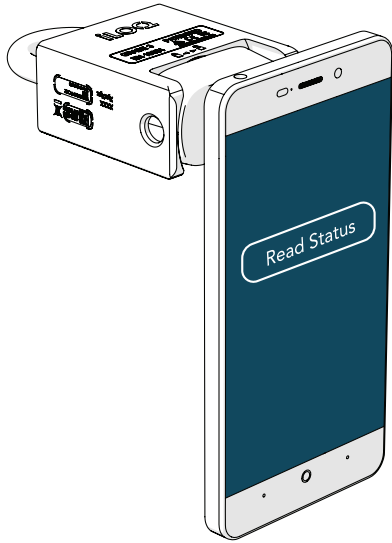
4. After closing the lock, ensure that the knob is in locked position and the padlock remains closed.

6.3 Read the status of the lock (H50S.x51 and H50S.x61 versions)

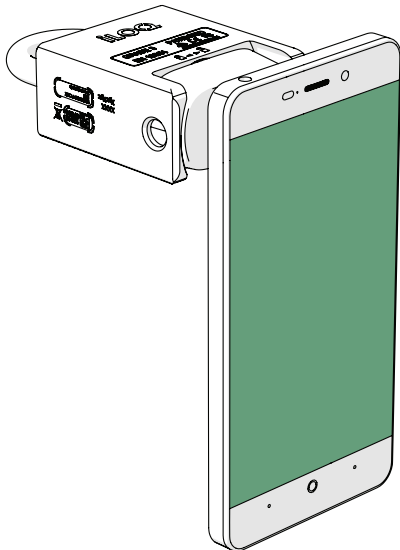
1. Select “Read status” from the mobile application.



2. Hold your phone against the lock reader knob to read the status of the lock.



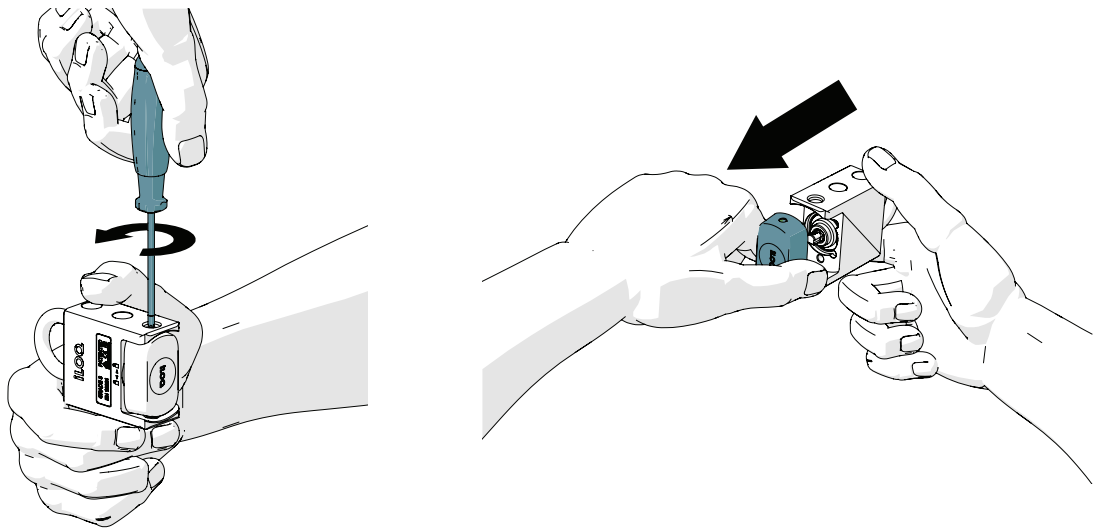
3. Hold your phone against the lock reader knob until the reading of the status is complete.



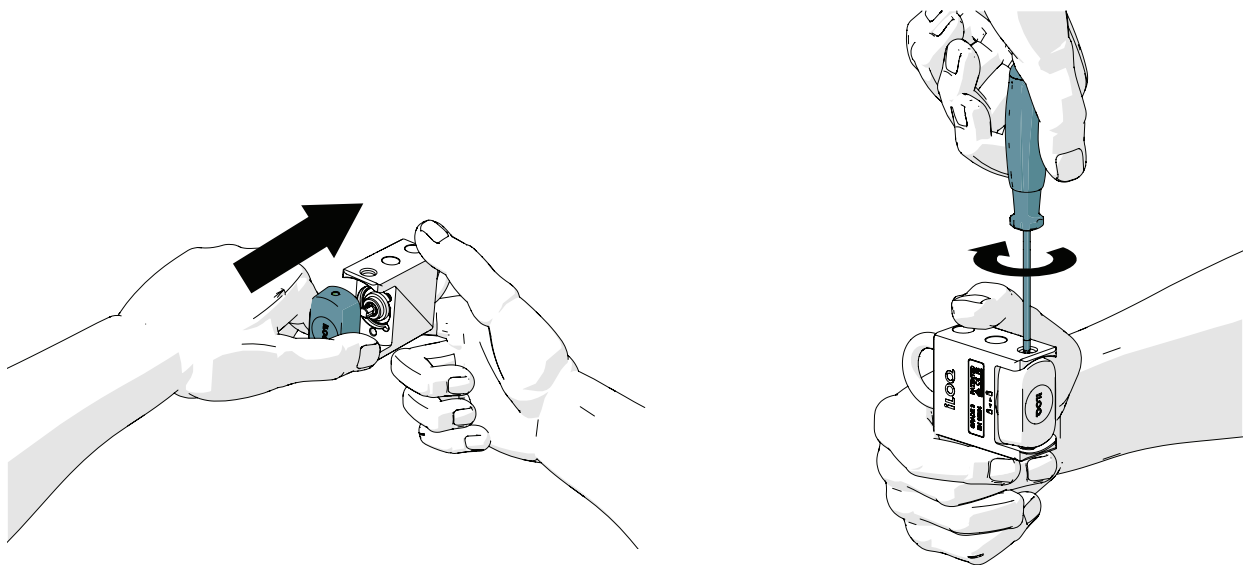
7. Replacing the iLOQ H50S reader knob

If the H50S reader knob is e.g. damaged and needs a replacement knob, please follow these instructions to replace the reader knob correctly.



1. Loosen the fixing screw (with a T10 screwdriver) and pull the knob off.



2. Before installing the new knob, add a small amount of CRC silicon grease to the knobs IP gasket.
3. Insert the new knob on and tighten the fixing screw (1.5 Nm).



8. Disposal of decommissioned products

	<p>Never discard an electrical appliance in household waste. Follow the local laws and regulations for safe and environmentally friendly product disposal.</p>
	<p>Before discarding products, bear in mind that most iLOQ products are reusable. All programmable products can be reset to factory settings, after which they can be reused in another system.</p>

Recycling instructions of decommissioned products are depicted below.

Decommissioned product	Sorting
<p>Decommissioned iLOQ fittings, mounting accessories and thumb turn knobs can be recycled as scrap metal.</p>	
<p>Decommissioned iLOQ products containing electronics and circuit boards, such as iLOQ Lock Cylinders, keys, net bridges, door modules, key and RFID readers, and relay cards, must be recycled at an electrical and electronic equipment collection point.</p>	
<p>iLOQ products containing batteries and accumulators, such as key fobs, programming keys and clock circuits, should be recycled at a regional collection point for batteries and small accumulators.</p>	
<p>Most iLOQ packaging materials are suitable for cardboard and plastic recycling.</p>	

9. Compliance

9.1 iLOQ H5S/H10S padlocks

CE

SIMPLIFIED EU DECLARATION OF CONFORMITY:

Hereby, iLOQ Oy declares that the radio equipment type H5S/H10S Padlocks are in compliance with Directive 2014/53/EU. The full text of the EU declaration of conformity is available at the following internet address: www.ilq.com/en/declaration-of-compliance/

9.2 iLOQ H50S padlocks

iLOQ H50S Padlocks, including following product variants: H50S.331.110.XX, H50S.331.15.XX, H50S.331.25.XX, H50S.331.60.XX, H50S.341.110.XX, H50S.341.15.XX, H50S.341.25.XX, H50S.341.60.XX, H50S.431.28.XX, H50S.431.50.XX, H50S.441.28.XX, H50S.441.50.XX, H50S.531.27.XX, H50S.531.50.XX, H50S.541.27.XX, H50S.541.50.XX, H50S.351.110.XX, H50S.351.15.XX, H50S.351.25.XX, H50S.351.60.XX, H50S.361.110.XX, H50S.361.15.XX, H50S.361.25.XX, H50S.361.60.XX, H50S.451.28.XX, H50S.451.50.XX, H50S.461.28.XX, H50S.461.50.XX, H50S.551.27.XX, H50S.551.50.XX, H50S.561.27.XX, H50S.561.50.XX **are in conformity with the requirements of the directives declared on this page.**

CE

SIMPLIFIED EU DECLARATION OF CONFORMITY:

Hereby, iLOQ Oy declares that the radio equipment type H50S Padlocks are in compliance with Directive 2014/53/EU. The full text of the EU declaration of conformity is available at the following internet address: www.ilq.com/en/declaration-of-compliance/

Communication standard: NFC 13,56 MHz Load modulation (ASK) ISO/IEC 14443A, no transmitter.

FCC

Chapter 1, Subpart A, Part 2 of Title 47 of the Code of Federal Regulations

The conformity was assessed in accordance the following standard:

FCC - FCC Rule Part 15

Note: This equipment has been tested and found to comply with the limits for a Class B digital device, pursuant to part 15 of the FCC Rules. These limits are designed to provide reasonable protection against harmful interference in a residential installation. This equipment generates, uses and can radiate radio frequency energy and, if not installed and used in accordance with the in-

structions, may cause harmful interference to radio communications. However, there is no guarantee that interference will not occur in a particular installation. If this equipment does cause harmful interference to radio or television reception, which can be determined by turning the equipment off and on, the user is encouraged to try to correct the interference by one or more of the following measures:

- Reorient or relocate the receiving antenna.
- Increase the separation between the equipment and receiver.
- Connect the equipment into an outlet on a circuit different from that to which the receiver is connected.
- Consult the dealer or an experienced radio/TV technician for help.

ISED

Innovation, Science and Economic Development Canada (ISED)

The conformity was assessed in accordance the following standard:

ISED - ICES 003, Issue 7: 2020 - class B



iLOQ S5/S10/S50

iLOQ Padlocks

H5S/H10S

H50S.x31.xx

H50S.x41.xx

H50S.x51.xx

H50S.x61.xx

User Guide

iLOQ

support.iloq.com

Elektroniikkatie 10

90590 Oulu

Finland