

iLOQ C10S/P LOCK CYLINDER USER MANUAL

To operate the lock cylinder, insert the key entirely into the keyway and turn the key.

If the lock does not open, remove the key and reinsert it into the cylinder, this time more evenly.

Always insert the key into the cylinder smoothly. The electric energy is harvested when the key is inserted into the cylinder. If the movement is too fast the cylinder is kept in the locked state. Do not use force when inserting a key into the cylinder.

Warning

Do not insert anything else than the iLOQ Key K10S/P into the cylinder. The product should not be modified in any way expect in accordance with those modifications described in the instructions.

MAINTENANCE INSTRUCTIONS

Clean up and lubricate the cylinder at least once a year.

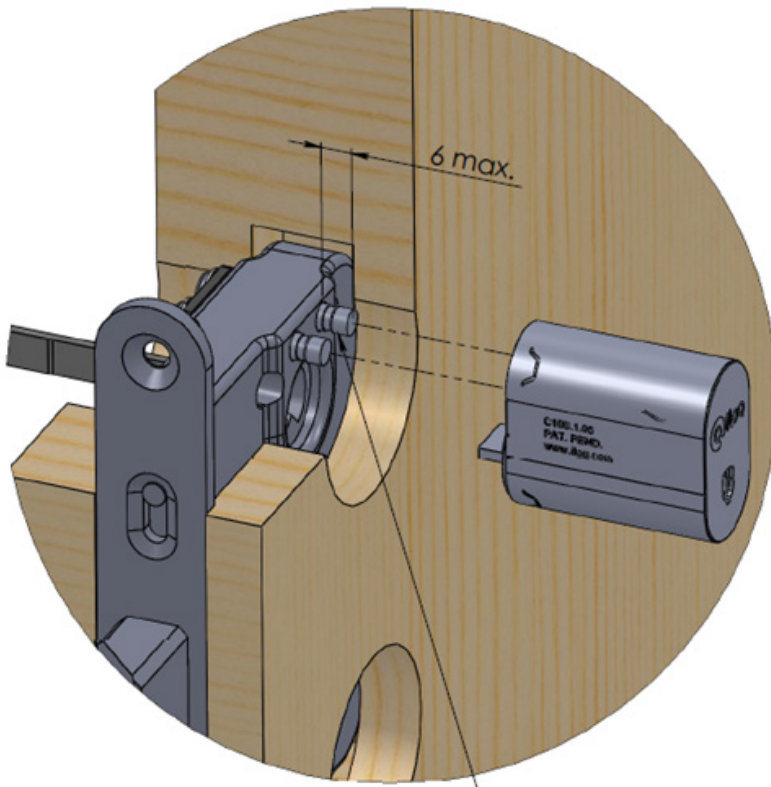
1. Apply high pressure dust remover into the keyway (for e.g., CRC Dust Off).
2. Apply a drop or two of high-quality lock oil into the keyway (for i.e., CRC Lock Oil Pro or WD-40).

INSTALLATION INSTRUCTIONS

These instructions should be carefully followed during installation.

Use appropriate cylinder type according the installation environment: C10S.1 for outdoor use and C10S.10 only for indoor use where temperature and humidity are equivalent to normal indoor conditions.

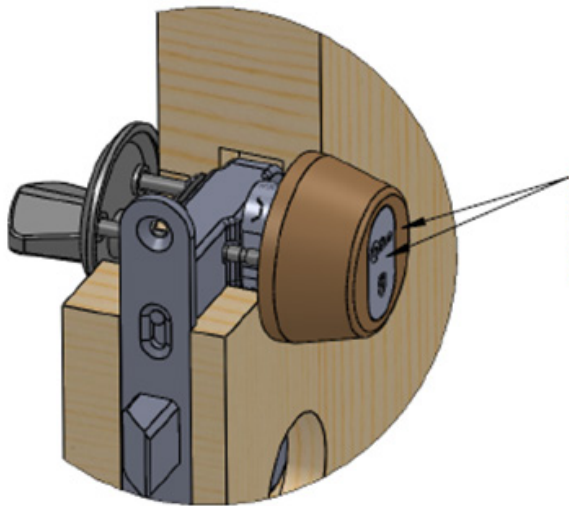
Use Scandinavian oval cylinder compatible lock cases.



IMPORTANT! Screw length must not exceed 6 mm, too long screw will damage lock cylinder.

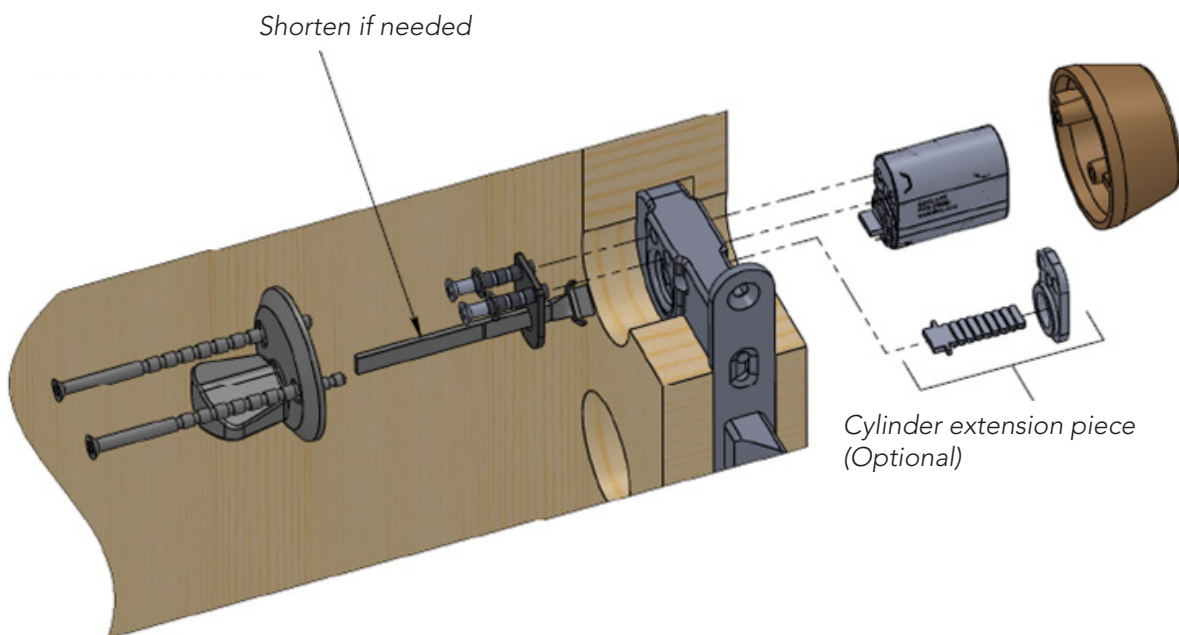
Cylinder thread deepness is 7 mm. The maximum screw length is 6 mm. Usage of too long screw may damage the cylinder.

Use reasonable force (2..3 Nm) when tightening the cylinder fixing screws.



Align cylinder and escutcheon surfaces. Use cylinder position extension piece, if needed.

Align the cylinder front with the escutcheon front. Use appropriate height of the escutcheon and/or adjust the cylinder height using an extension piece.



A cylinder extension piece iLOQ A10.33 must be used between the cylinder and the lock case in case of the cylinder height adjustment is necessary. When using the extension piece, also use appropriate longer tail piece. The extension piece must be used also if there is a pin or similar protruding from the lock case surface and can push oneself on the cylinder rear body.

In harsh environment where the cylinder is exposed to a dust or long term salt water spatter use a weather cover such as iLOQ E10.D3 escutcheon with a lid.

When installing cylinders on the exit side, use appropriate exit hardware together with the cylinder to allow free exit.

Care should be taken to ensure that any seals or weather-stripping fitted to the complete door assembly, does not inhibit the correct operations of the cylinder.

Before fitting the cylinder to a fire/smoke resisting door, the fire certification should be examined, to ensure conformity.

Care should be taken to ensure that no projection of the cylinder and associated parts, can prevent the door swinging freely.

These instructions and any maintenance instructions should be passed on by the installer to the user.

The lock cylinder has 24 months warranty.

iLOQ cylinders are recyclable as metal scrap. So are also iLOQ cylinder rings, accessories and thumb turn sets.