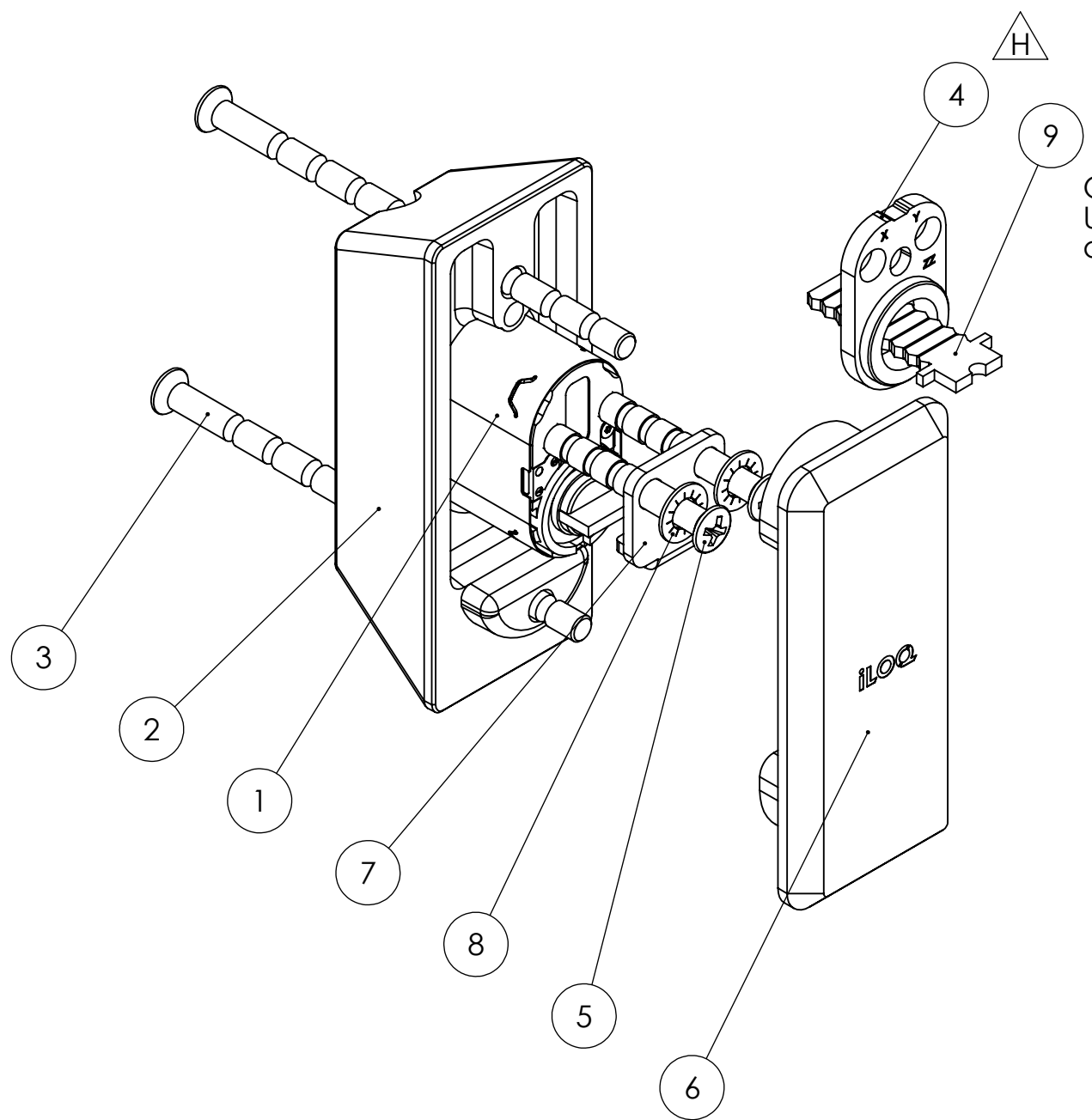


iLOQ® and iLOQ™ are registered trademarks of iLOQ Oy. This document and its contents are the property of iLOQ Oy and must not be copied, reproduced or disclosed to any third party without prior written permission. Contravention will be prosecuted.



OPTIONAL PARTS:
Use if cylinder position
adjustment needed

Item	Salescode	Description 1	Standard	Dimension	Default/Qty
9	A10.41	Tailpiece	-	L = 33	1
8	A10.49	A10.49 Serrated Washer	DIN 6798 J	-M5	2
7	A10.50	A10.50 Holder plate	-	PL2 20x20,50	1
6	E10.E6.HC	Cover plate, Outside, E10.E6.HC	-	-	1
5	A10.12	A10.12 Break-away screw	-	M5x60	2
4	A10.33	Extension piece 3mm	-		1
3	A10.48	Break-away screw		-	2
2		Escutcheon 26mm, Inside			1
1		Oval cylinder			1

Design: TJu 28.02.2012	Metric: mm	Std. Size: - -	Tolerance: 3D Master Data to be followed! General tol. acc. ISO2768-1 mK Size ISO 14405 (E) (L) 0,2 Geometric tol. symbols acc. ISO1101:2017 Surface rough. symbols acc. ISO1302:2002
Drawn: TJu 28.02.2012		Material: -	
Check'd: - -	Size: A3	Finish: -	
Appr'd: KyroJu 14.04.2021	Sheet: 1/2	Color, texture: -	
Product: -	Based on:	Type: -	Title: E104. Cylinder assembly set
 All rights reserved. iLOQ Oy Copyright © 2006 http://www.iloq.com		Sales code	Rev. H
		E104	

Drawing number: _____
Sales code: E104