

## K55S.2 Key Fob

---

### System-level description

The patented, award winning iLOQ 5 Series locking system offers advanced security and convenient access sharing features for master key locking environments.

The iLOQ K55S.2 Key Fob is used for operating iLOQ S50 digital locks and NFC readers in the iLOQ 5 Series locking system for users without a compatible NFC-enabled smartphone for unlocking. The Key Fob supplies the required operating power to the lock over the NFC field during opening, thus the locks do not need their own power supply.

The Key Fob is equipped with a rechargeable battery. One charging of the battery will last 5000 openings or up to 2 years in standby. When the device needs recharging it will inform users weeks before recharging is necessary. This feature helps users avoid situations where energy levels are too low for opening locks at sites. The Key Fob can be charged with a commonly used USB C-type cable. The Key Fob is designed for harsh environments and climates, while remaining water-resistant and dustproof.

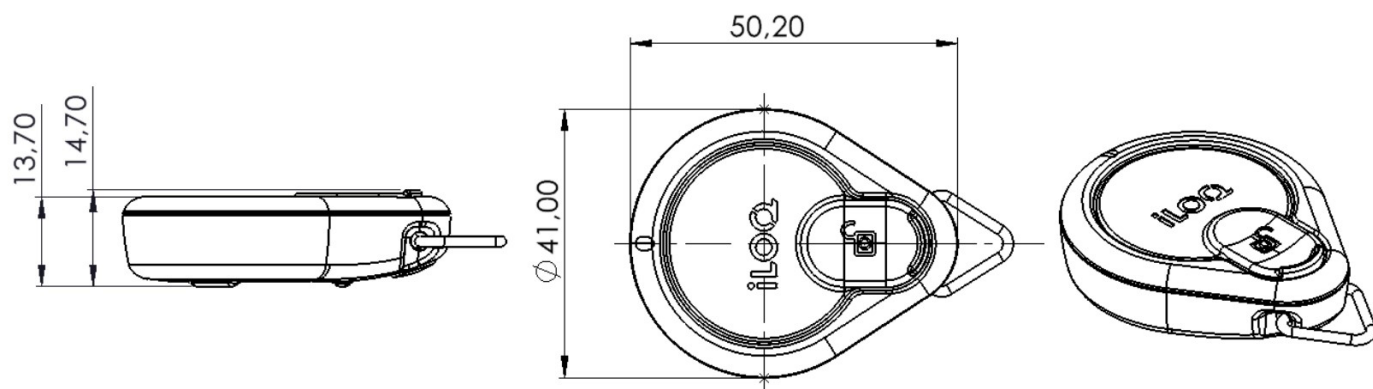
Each iLOQ K55S.2 Key Fob can have 210 access rights, 10 different time slots and can store its 200 latest key opening events. The status (events and blocklist) of the 10 last-visited iLOQ S50 locks is collected from the key and sent to the iLOQ Cloud whenever the key is used with the iLOQ Online components. In return, the iLOQ K55S.2 Key Fob always gets the latest time and blocklist information from the NFC Readers which are then passed forward to iLOQ S50 locks when the key fob is used with them. Access rights and time limitations of the iLOQ K55S.2 Key Fob can be updated and revoked remotely via iLOQ Online and its NFC Readers, a smartphone or locally by the administrator with a P55S Programming key.

---

### Feature summary

- Rechargeable digital key for iLOQ 5 Series locking system
- Secured using AES-256 encryption
- Programmed on iLOQ Manager – software with system specific Programming key
- Re-programming through Programming key, with iLOQ online or S50 Phone Key application
- Each key has a unique identifier and can be individually blocklisted
- Supports validity time and versatile time restrictions
- Receives and transfers blocklist from/to locks when used offline
- Sturdy, sealed structure for harsh environments with led status indication
- Can be personalized with color pin
- Laser stamped one letter and four-digit random number
- USB Type-C® and USB-C® are registered trademarks of USB Implementers Forum

## Dimensional drawing



## Memory capacity

Number of access rights .....	210
Number of blocklisted keys .....	50
Number of time slots .....	10
Size of key event log .....	200

## Technical data

Changeable color marker .....	✓
Maximum charging temperature .....	40°C
Minimum charging temperature .....	°C
Color .....	Oceanic blue
Ingress protection rating .....	IP67
NFC .....	✓
Rechargeable battery lifetime per charge .....	5,000 openings / 2 year standby-time
Maximum temperature .....	55°C
Minimum temperature .....	-20°C