

iLOQ D10S.100 AND D10S.110 EUROPROFILE HALF-CYLINDER

General

The award winning iLOQ S10 locking system offers advanced security and convenient access management for master-key locking environments. The unique, patented, self-powered iLOQ D10S lock cylinder is powered by harvesting electricity from inserting of the iLOQ K10S key. Being self-powered, the iLOQ D10S cylinder eliminates work, costs, wastes and harms associated with battery powered or cabled solutions. As no batteries and no electric wiring are required, the cylinders and keys are easy to install and maintain, and it is an environmentally friendly "green" solution. The communication between the cylinder and the key is strongly encrypted using standardized powerful SHA-1 encryption methods. The mechanically identical shape and modular structure of the iLOQ D10S cylinders enable flexible stocking and fast delivery. The iLOQ D10S lock cylinders are compatible with DIN 18252 Europrofile cylinder standards enabling easy installation to existing Europrofile cylinder environments.

The iLOQ D10S.1xx cylinder body length is 30 mm and it can be easily extended in 5 mm resolution up to 100 mm with extension pieces between the cylinder body and the cam module. The patented modular extension solution enables flexible stocking and easy length modifications on an installation site.

The half cylinder D10S.1xx is intended for mechanical key switch -installations. The locking cam can be adjusted in 8 different fixed positions to ensure conformity to the different key switches.

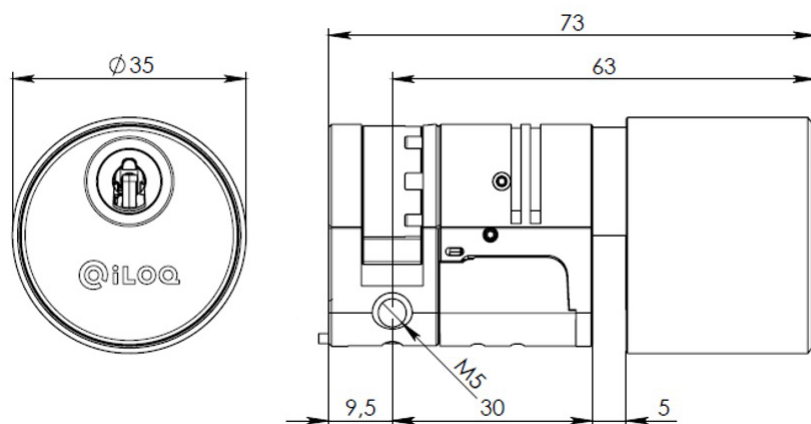
iLOQ D10S.100 D10S.110 and europrofile knob cylinders in brief

- Programmable electromechanic lock cylinder for iLOQ S10 locking system
- Self-powered: no batteries or external energy source required for the lock and key, and no need for cabling
- All iLOQ C10S lock cylinders and iLOQ K10S keys are mechanically alike
- Compatible with DIN 18252 Europrofile cylinder standard
- Modular construction allows easy configuration for half-, double-, or turn-knob version and cylinder length adjustment. Length extensions available in 5 mm steps up to 70 mm.
- Adjustable fixed cam position
- Secured using powerful encryption methods; unique 64bit challenge and SHA-1 computed 160bit MAC pair for key authentication
- Programmed using a PC and the iLOQ P10S.10 Programming device
- Blacklist for individual lost keys
- Access group list for key accesses
- Pre-blacklisting of lost key using a replacing key
- Connector enabling connection to S10 Online system for remote management
- Connector enabling controlling of conditional access right by external input
- Internal real time clock, activated by optional battery (A00.14) enabling time restrictions on keys and event log time stamps
- Firmware updateable
- The cylinder version D10x.1xx was specially developed for use inside key switches.

Product versions

D10S.100.SB..... Half cylinder
 D10S.110.SB..... Half cylinder with real time clock

Real time clock , network interface and external input are as an option in all D10S cylinders.



Memory capacity

	16 bit*	24 bit*
Amount of standard and/or conditional access right groups.....	210	140
Amount of access rights with version-data.....	1+208 standard/conditional	1+138
Amount of blacklisted lost keys.....	210	140
Pre-blacklist for replaced keys.....	256	256
Event log	512	512

* Access right capacity varies according to used locking system, 16 or 24 bit.

Technical data

Cylinder length	30 mm, with extensions up to 100 mm
Temperature range.....	- 25 °C ... +70 °C
Real time clock accuracy	Time shifting max +/- 2 minutes per month
Real time clock battery lifetime	10 years
Ingress protection rating.....	IP55*
Finish.....	Brushed stainless steel

* Especially in industrial areas or near the sea, deposits can occur in the form of rust and attack the material. This equipment should be cleaned and maintained frequently. Use optional dust cover in harsh environments.