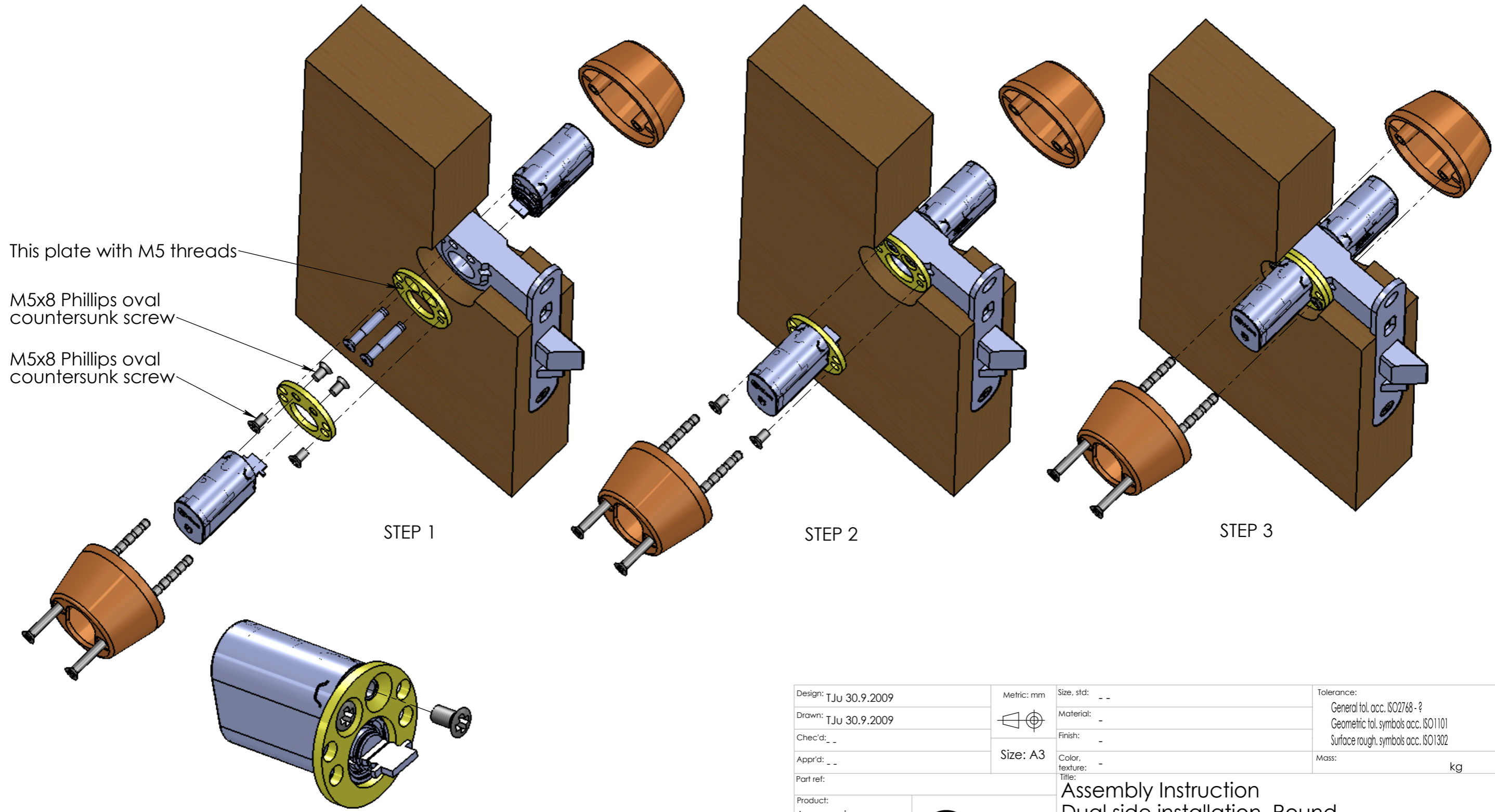


iLoq® and iLoq™ are registered trademarks of iLoq Oy. This document and its contents are the property of iLoq Oy and must not be copied, reproduced or disclosed to any third party without prior written permission. Contravention will be prosecuted.

Rev	Description	Date	Desinger
A	Assembly created	30.9.2009	tijunt
B	Screws changed	17.11.2009	tijunt



Design: TJu 30.9.2009	Metric: mm	Size, std: - -	Tolerance:
Drawn: TJu 30.9.2009		Material: -	General tol. acc. ISO2768 - ?
Chec'd: -	Size: A3	Finish: -	Geometric tol. symbols acc. ISO1101
Appr'd: -		Color, texture: -	Surface rough. symbols acc. ISO1302
Part ref:		Title:	Mass: kg
Product: Accessories			Assembly Instruction
Prod. call name			Dual side installation, Round
Sheet: 1 / 1	All rights reserved. Copyright (C) 2006 iLoq Oy http://www.iLoq.com	Drawing number: M001573	Rev. B