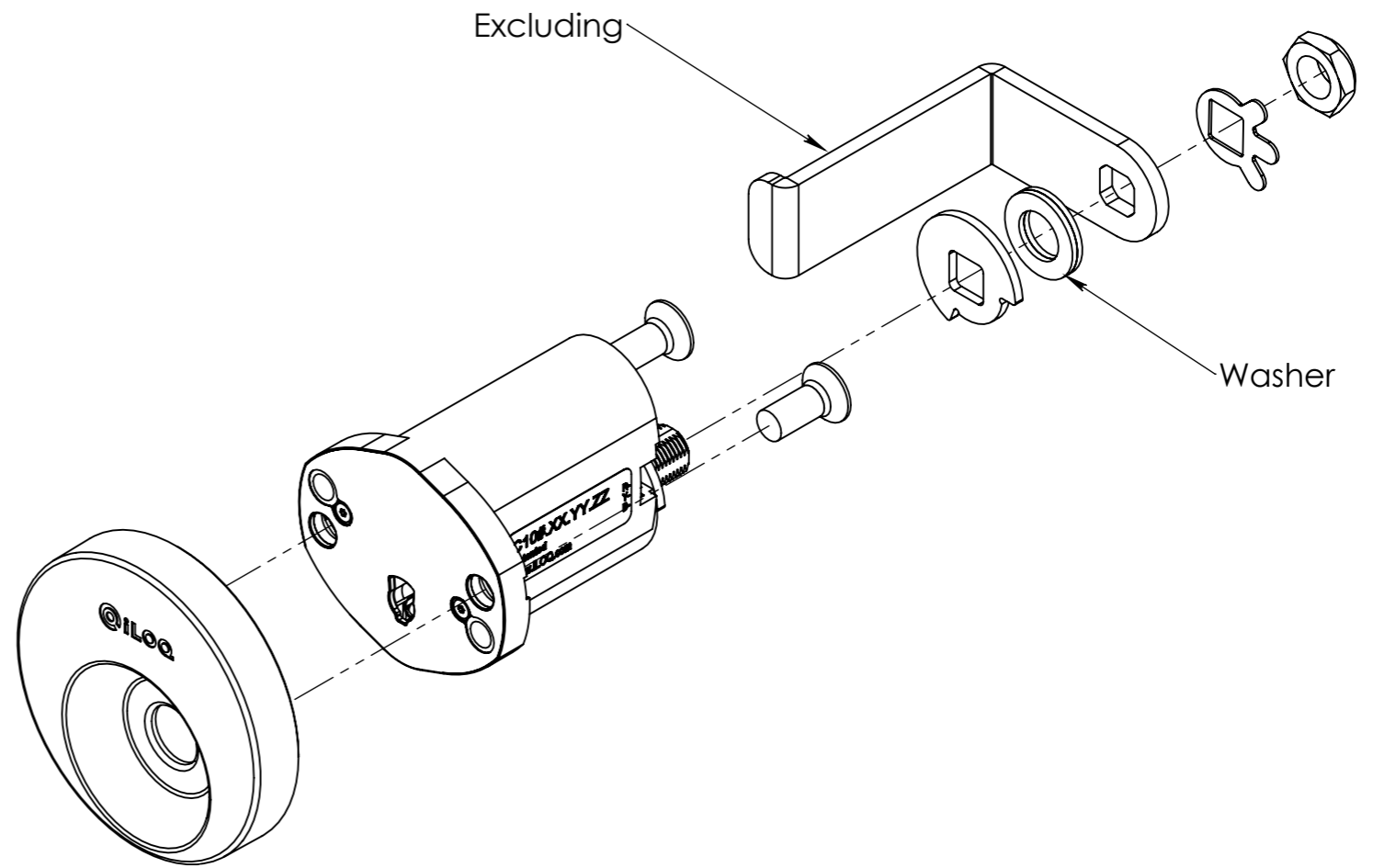
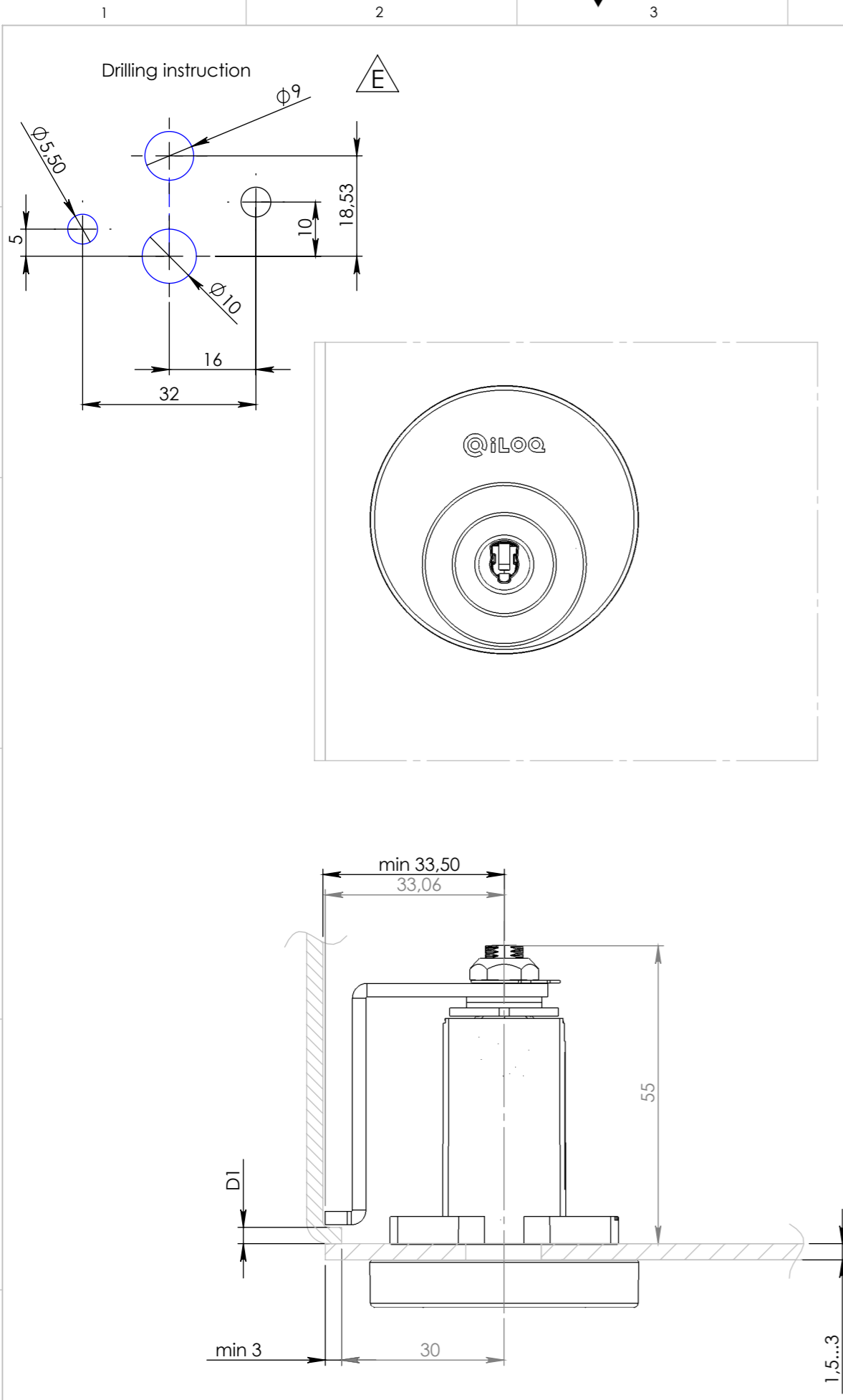


iLoq® and iLoq™ are registered trademarks of iLoq Oy. This document and its contents are the property of iLoq Oy and must not be copied, reproduced or disclosed to any third party without prior written permission. Contravention will be prosecuted.



Dim D1 (frame thickness)	Qty of shim washer M001750
<1mm	0
1mm...2mm	1
2mm...3mm	2
3mm...4mm	3

Design: MKe 18.11.2009	Metric: mm	Std. Size:	Tolerance: General tol. acc. ISO2768 - Geometric tol. symbols acc. ISO1101 Surface rough. symbols acc. ISO1302
Drawn: MKe 18.11.2009		Material:	
Chec'd:	Size: A3	Finish:	
Appr'd:	Sheet: 1/3	Color, texture:	
Product: Cam lock	Title: General installation guide C10S.5/.50 Metal door, Round Escutcheon		
 All rights reserved. Copyright © 2006 iLOQ Oy http://www.ilooq.com		Sales code	Drawing number: