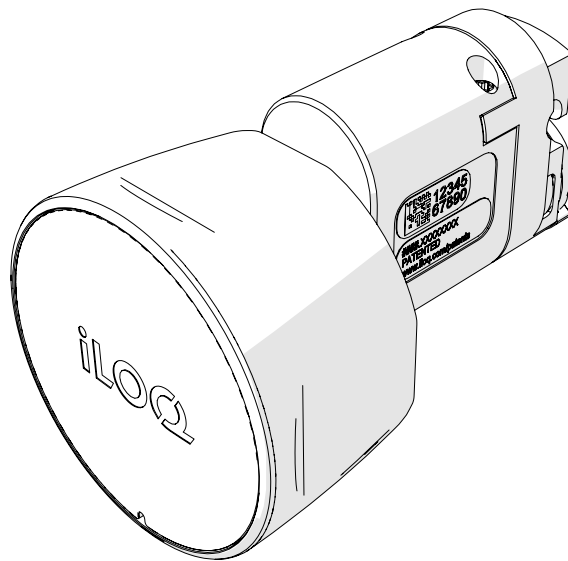




iLOQ S50

CA50S.1.59.T Australian Oval Cylinder

User Guide



12/2024

Rev. 1.0

Document ID

317606

iLOQ Oy



support.iloq.com

Contents

1.	Important product information	3
1.1	Safety signs	3
2.	Overview	4
2.1	iLOQ CA50S.1.59.T Australian oval cylinder	4
3.	Before installation	5
3.1	General notes.....	5
3.2	Care & maintenance	5
4.	Installation	6
4.1	Selecting the correct cam	6
4.2	Installing the oval cylinder	7
4.2.1	Installing the oval cylinder with a custom iLOQ cam.....	7
4.2.2	Installing the oval cylinder with a commercial cam.....	10
5.	Operating instructions.....	12
6.	Extending the length of the oval cylinder.....	13
7.	Replacing the knob.....	15
8.	Disposal of decommissioned products.....	19
9.	Compliance	20

1. Important product information

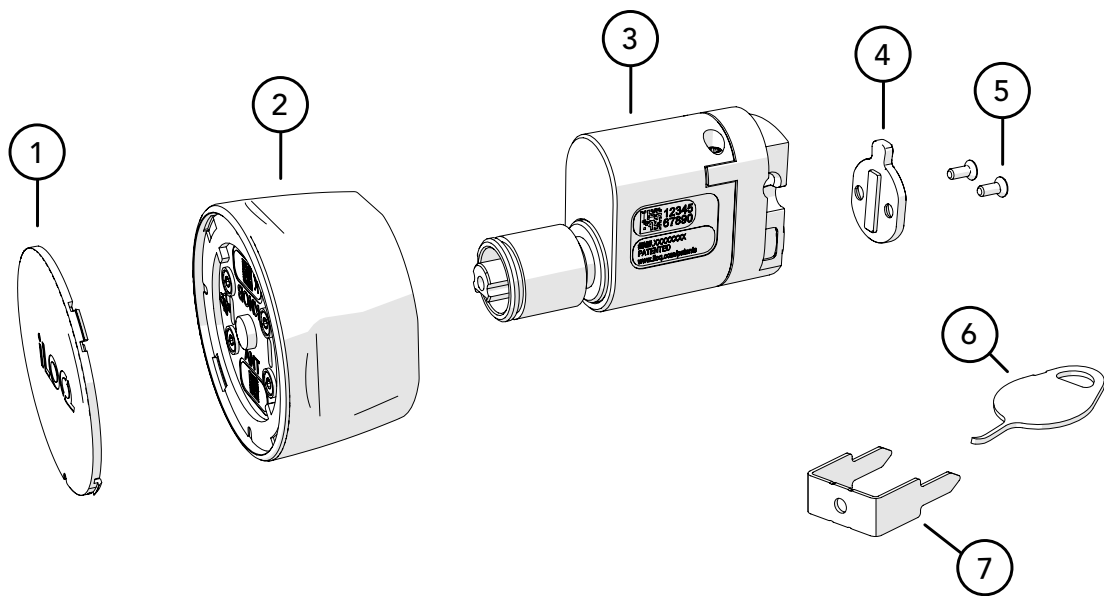
1.1 Safety signs

Sign	Description
	General notice sign. Indicates particularly important information about the installation or product.
	Read these instructions carefully before using products. This information is to ensure your safety and long lifetime of the products.

2. Overview

2.1 iLOQ CA50S.1.59.T Australian oval cylinder

The iLOQ CA50S.1.59.T Australian oval cylinder is a battery-free programmable electromechanical lock cylinder for the iLOQ S50 locking system. It is NFC-powered: no batteries are required for the lock. Opening with NFC enabled Android and iOS mobile phones or iLOQ K55S Key Fob.



1. Front cap
2. Knob
3. Cylinder
4. Cam (not included in the delivery)
5. T6 cam screws (iLOQ AC50.G.01)
6. Cap removal tool
7. Knob removal tool

3. Before installation

3.1 General notes

- This user guide applies to Lockwood Synergy® and Lockwood Selector® series lock cases. Lockwood Synergy® and Lockwood Selector® are registered trademarks of Assa Abloy. If you want to use the iLOQ CA50S.1.59.T A oval cylinder with a different lock case, contact a local iLOQ partner or iLOQ Oceania before installation to confirm the lock case is compatible.
- This product is available with different types of cams. Make sure to select the correct cam according to the door hardware.
- If the product is installed on a fire door, examine the fire certification to ensure conformity of the door and the lock case. If needed, contact an iLOQ sales representative for assistance.
- Make sure that the operation of the product complies with the local building codes, security regulations and any other applicable regulations.
- After installation, make sure that the product operates properly without interference from weatherstripping, or other parts of the door. Make sure that the door opens, closes, and swings freely without interference from any projecting part of the lock assembly.
- **IMPORTANT:** After installation, pass these instructions and any maintenance instructions on from the installer to the user. If there are any deviations from the contents in foreign language versions of the documentation, the English original shall apply in case of doubt.

3.2 Care & maintenance

The product is designed to be maintenance-free. It does not require any regular maintenance.

4. Installation

4.1 Selecting the correct cam

Select a cam that is compatible with your lock case. Lockwood Selector® series and Lockwood Synergy® series lock cases and compatible cams are listed below. If you want to use a lock case that is not listed on the table, contact a local iLOQ partner or iLOQ Oceania before installation to make sure the lock case is compatible with the oval cylinder.



NOTE! Use a cam that is compatible with the intended use and features of the lock as well as the chosen lock case.

Cylinder cam	Lockwood Selector® series	Lockwood Synergy® series
X7	iLOQ custom X7 cam RH/LH	
V	iLOQ custom V cam RH/LH	
X		iLOQ custom X cam
Y		Commercial Y cam
Z		Commercial Z cam
W		Commercial W cam
M		Commercial M cam

iLOQ custom cams:

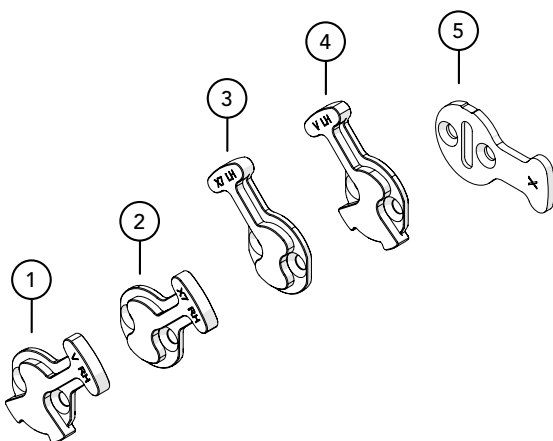


Table of iLOQ custom cams:

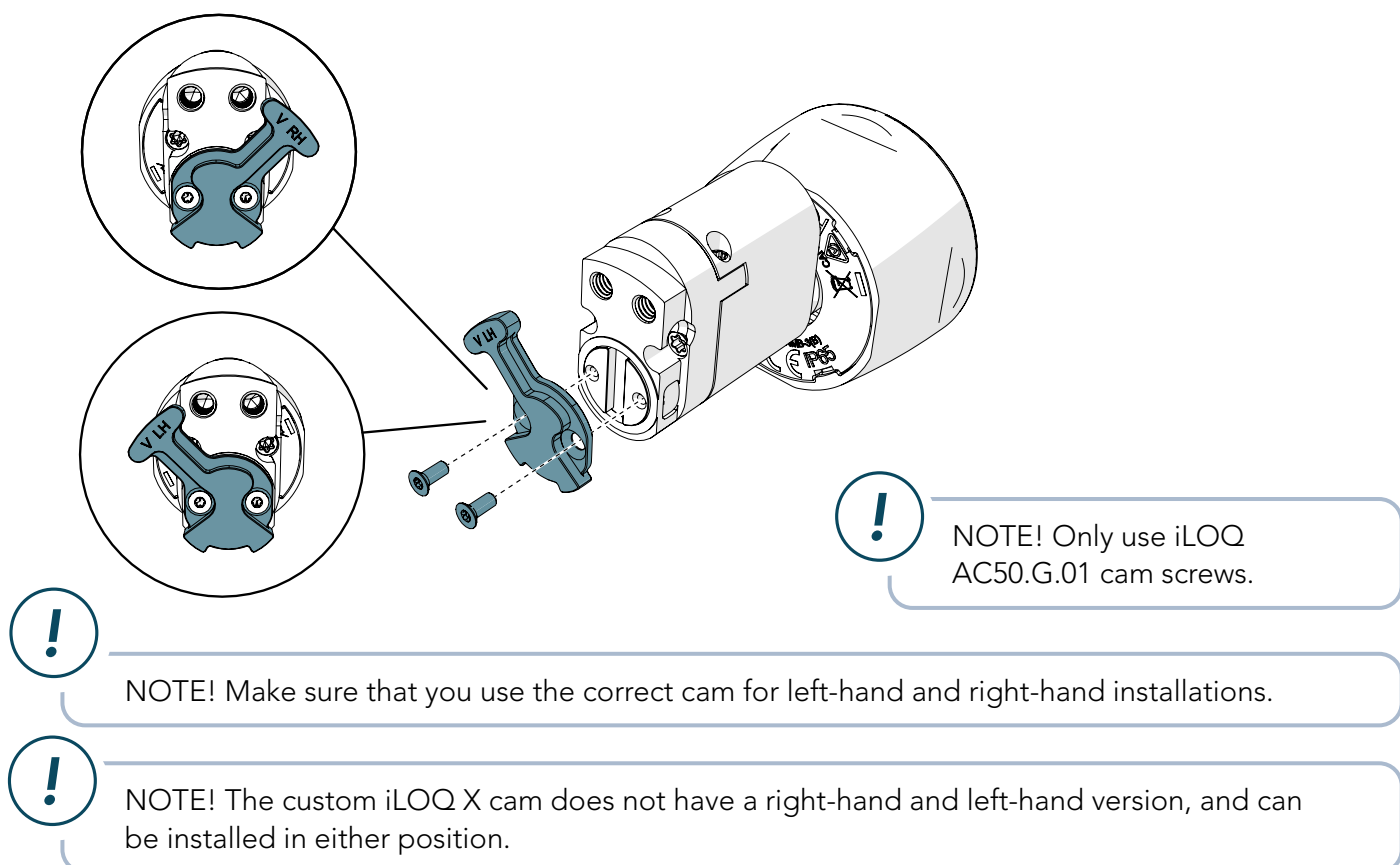
Number	Cam name	Sales code
1	V cam right-hand	AC50.CA.C05
2	X7 cam right-hand	AC50.CA.C03
3	X7 cam left-hand	AC50.CA.C02
4	V cam left-hand	AC50.CA.C04
5	X cam	AC50.CA.C01

4.2 Installing the oval cylinder

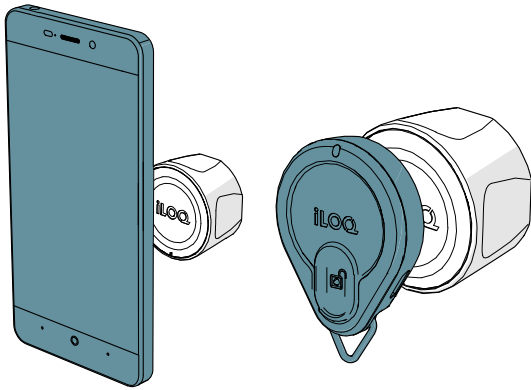
After you have selected the correct cam, proceed to installing the cam to the cylinder and installing the oval cylinder.

4.2.1 Installing the oval cylinder with a custom iLOQ cam

1. Install the custom iLOQ cam to the cylinder.



2. Hold a valid key against the knob and wait until the key shows a green light.



NOTE! Due to the large variety of phone models and operating system versions, iLOQ cannot guarantee that all NFC-enabled phones will work seamlessly with our NFC locks.

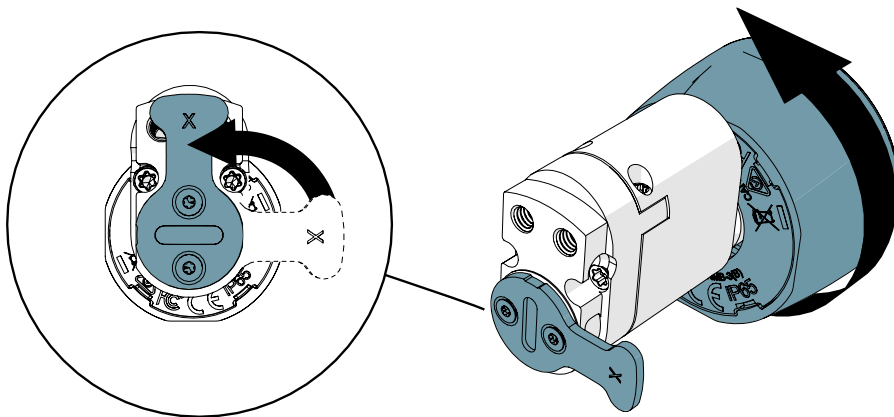


NOTE! Before using the locks, make sure that you know where the NCF antenna of your phone is located so that you know the best position to hold the phone against the knob.

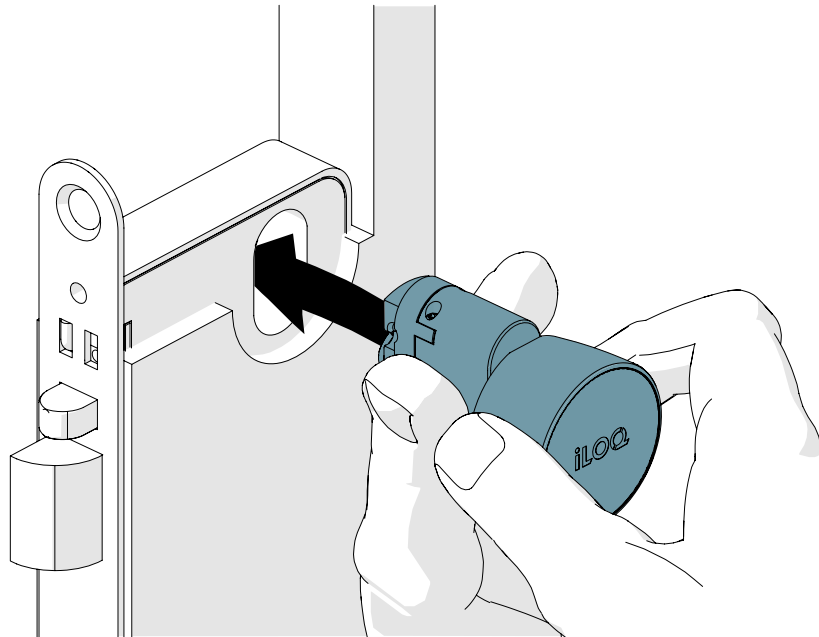


NOTE! Do not use excessive force when operating the lock (Max. 2 Nm of torque).

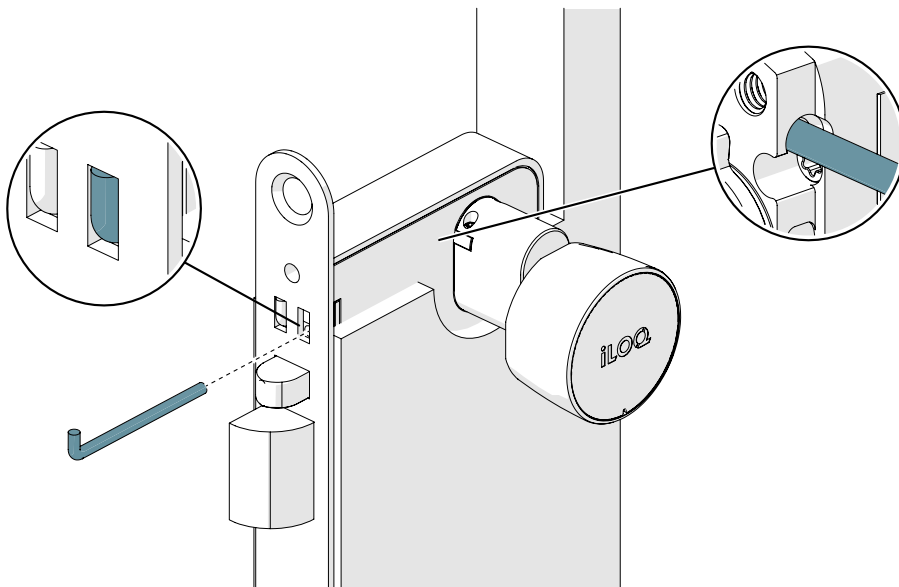
3. Use the knob to turn the cam to an upward position so that the cam is aligned with the oval cylinder.



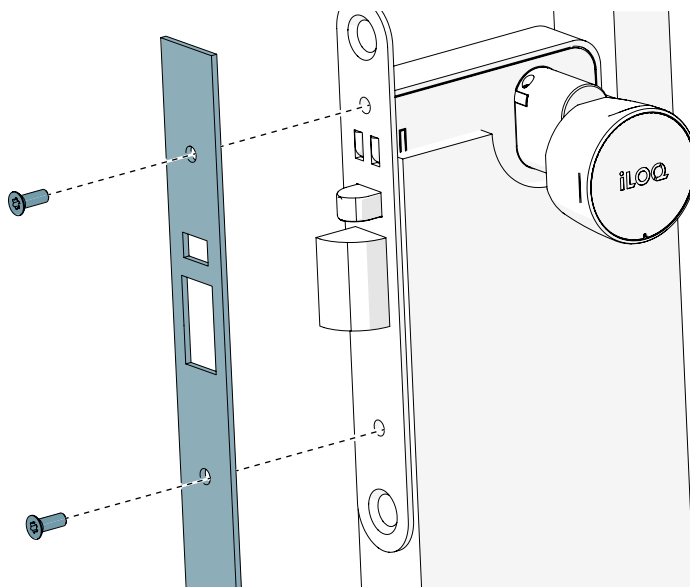
4. Hold the knob in position while installing the cylinder to the lock case.



5. Secure the cylinder in place with the retainer pin provided by the lock case manufacturer. Make sure the retainer pin is flush against the lock case.

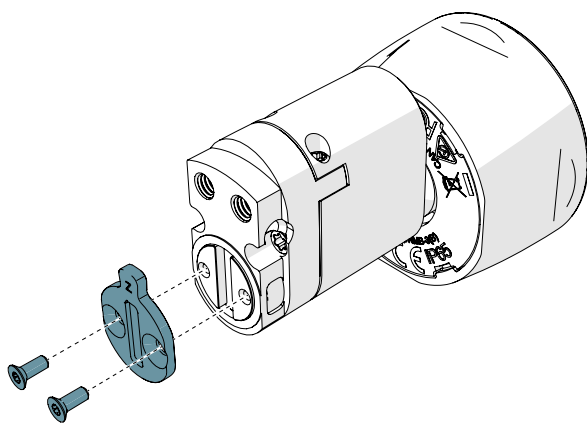


6. Install the faceplate.



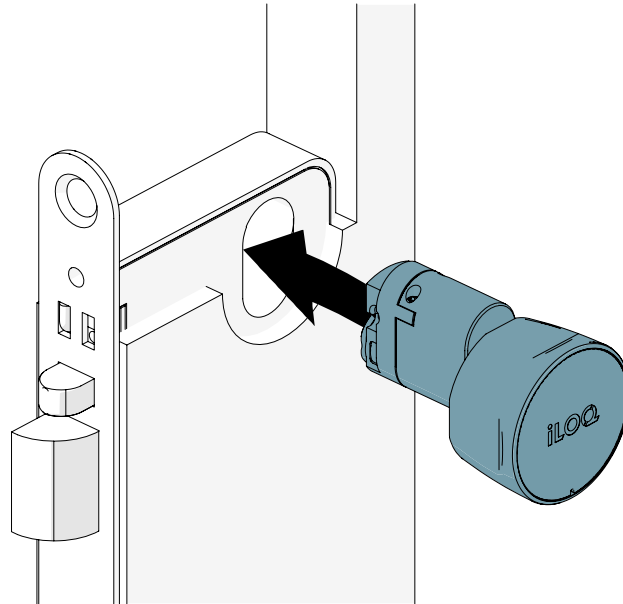
4.2.2 Installing the oval cylinder with a commercial cam

1. Install the commercial cam to the cylinder.

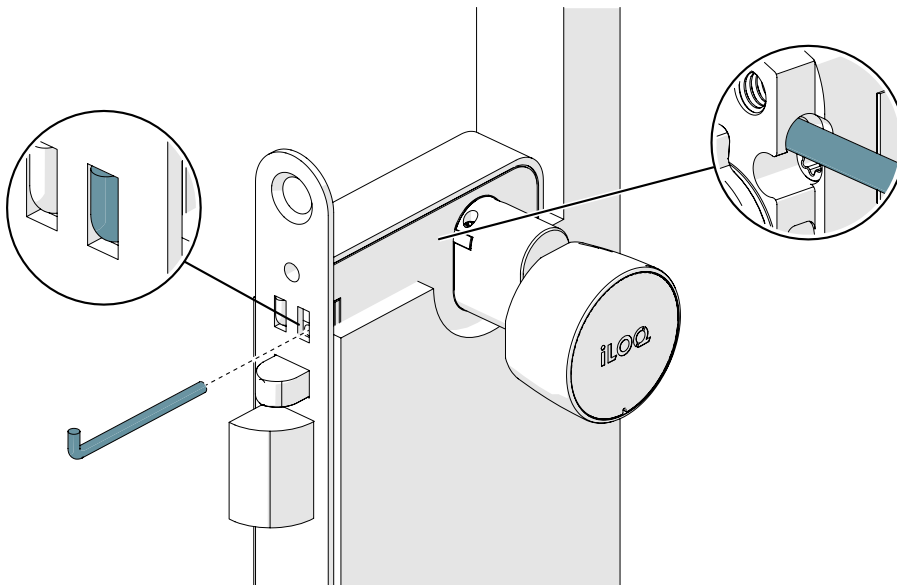


NOTE! Only use iLOQ AC50.G.01 cam screws.

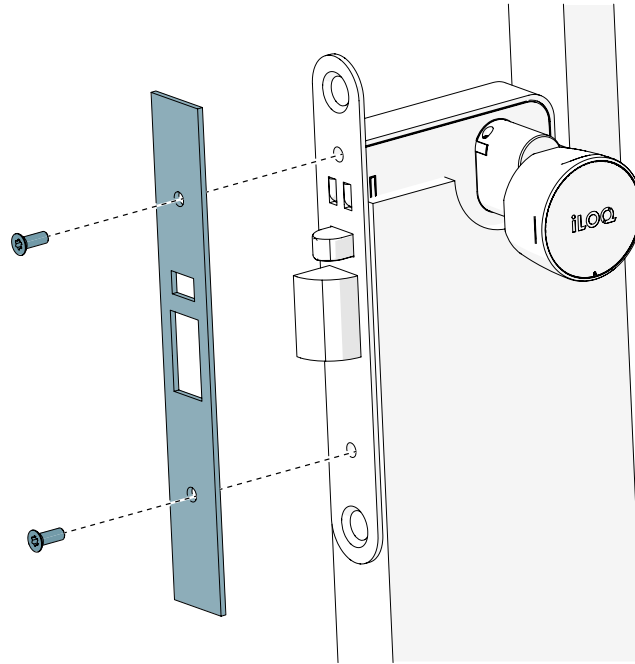
2. Install the cylinder to the lock case.



3. Secure the cylinder in place with the retainer pin provided by the lock case manufacturer. Make sure the retainer pin is flush against the lock case.

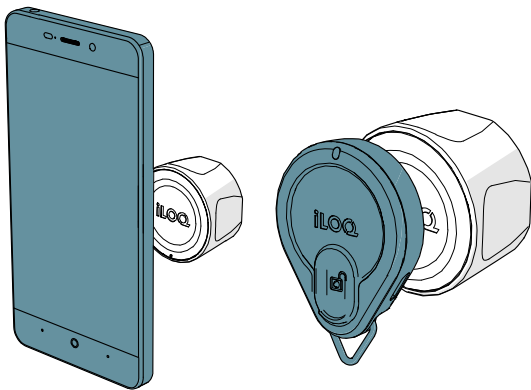


4. Install the faceplate.



5. Operating instructions

1. Hold a valid key against the knob and wait until the key shows a green light.



NOTE! Due to the large variety of phone models and operating system versions, iLOQ cannot guarantee that all NFC-enabled phones will work seamlessly with our NFC locks.

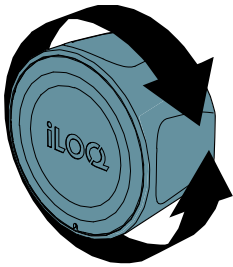


NOTE! Before using the locks, make sure that you know where the NCF antenna of your phone is located so that you know the best position to hold the phone against the knob.



NOTE! Do not use excessive force when operating the lock (Max. 2 Nm of torque).

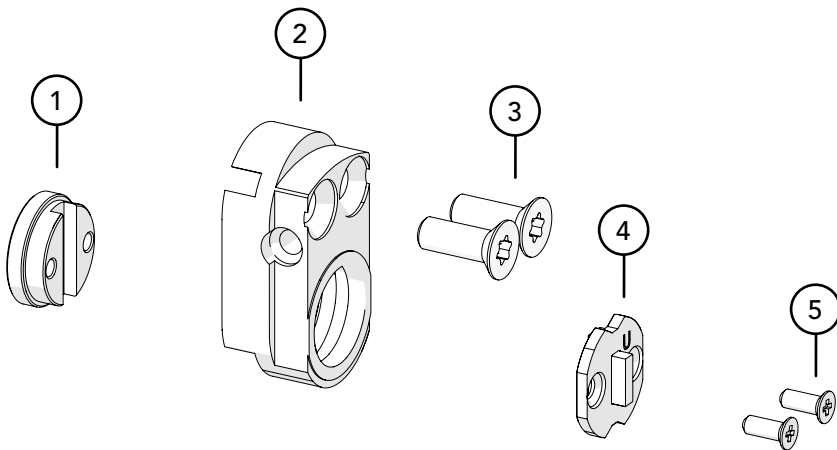
2. Turn the knob to unlock or lock the door.



NOTE! Depending on the configuration, the lock will stay in the open status for 5-15 seconds. Do not force the knob.

3. Make sure that the knob is in the original locked position and **cannot be rotated** before leaving the door. If needed, manually turn the knob to the original locked position.

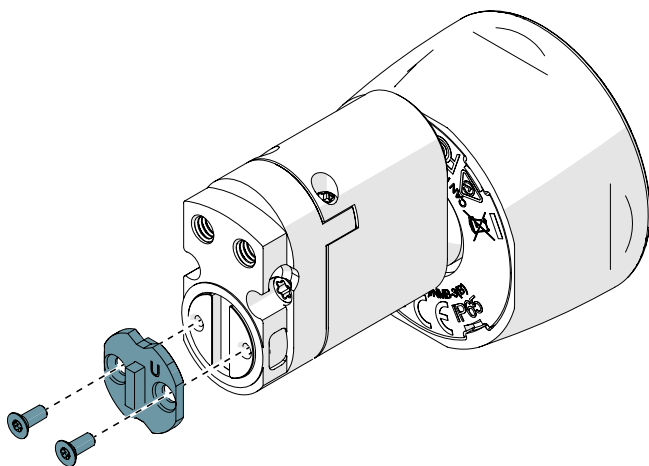
6. Extending the length of the oval cylinder



Parts needed:

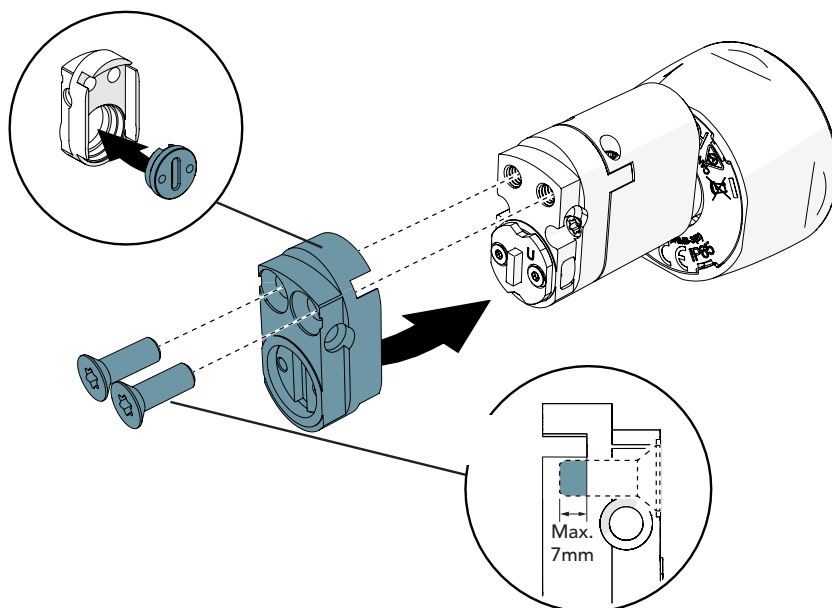
1. Commercial Extension plug
2. Commercial Extension piece
3. Commercial extension assembly screws
4. Commercial U cam
5. Commercial cam screws

1. Install the U cam to the oval cylinder.



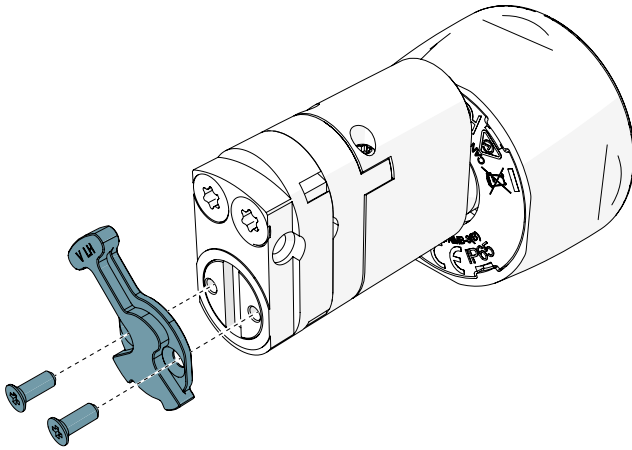
NOTE! Only use iLOQ
AC50.G.01 cam screws.

2. Insert the extension plug inside the extension piece and secure the extension piece with two commercial screws cut to the correct length.



NOTE! Make sure that the length of the extension screws does not exceed 7 mm from the contact surface.

3. Install the correct cam to the extension with two commercial cam assembly screws.



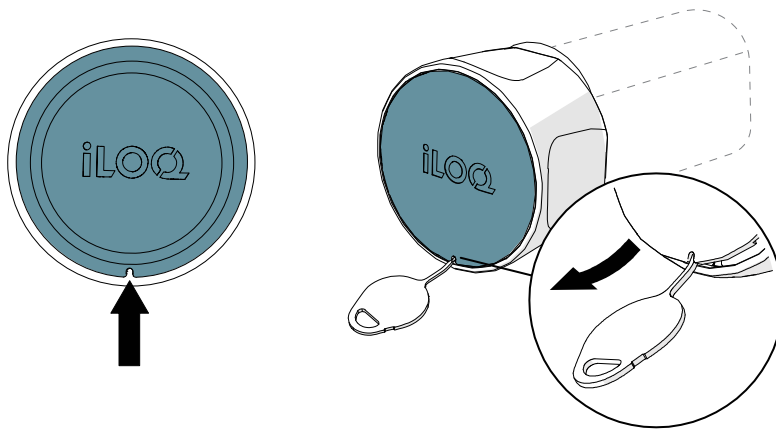
7. Replacing the knob

If necessary, use the following instructions to replace the knob.

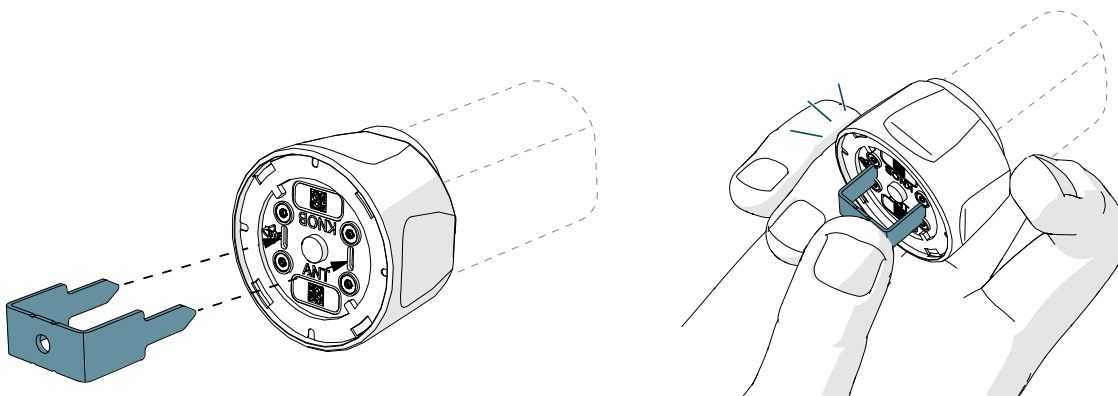
Parts needed:

- AX50.G.KT - TorQ Knob Without Cap
- AC50.G.KT.A.1 - Black Flat Cap for TorQ Knob
- AX50.G.01 - ANSI Cylinder Tool Kit:
 - Cap removal tool
 - Knob removal tool

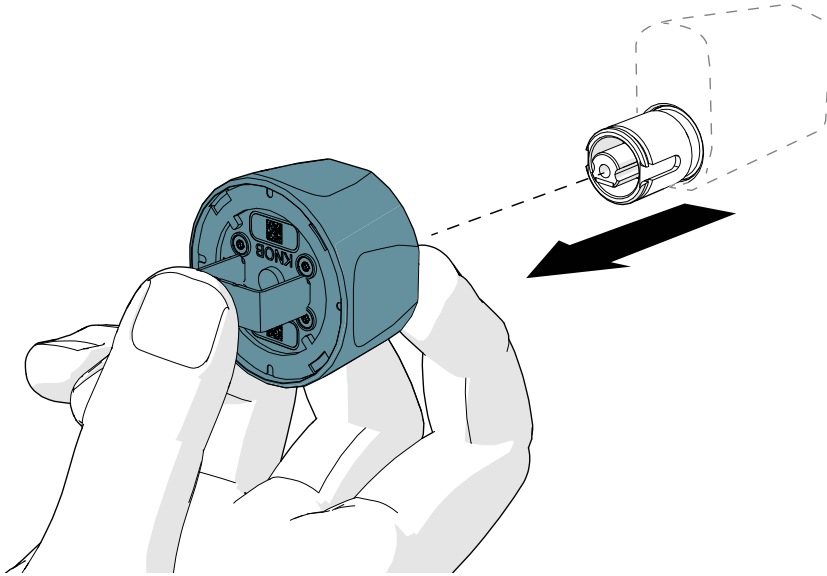
1. Insert the cap removal tool into the hole of the cap to remove the front cap from the knob.



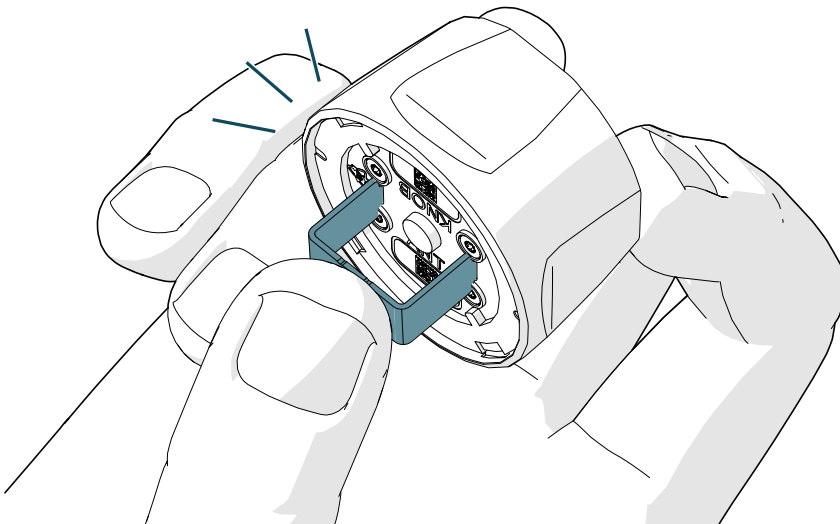
2. Insert the knob removal tool into the front of the knob. While holding the back of the knob, press firmly on the tool until it clicks to release the knob.



3. Pull the knob from the cylinder.



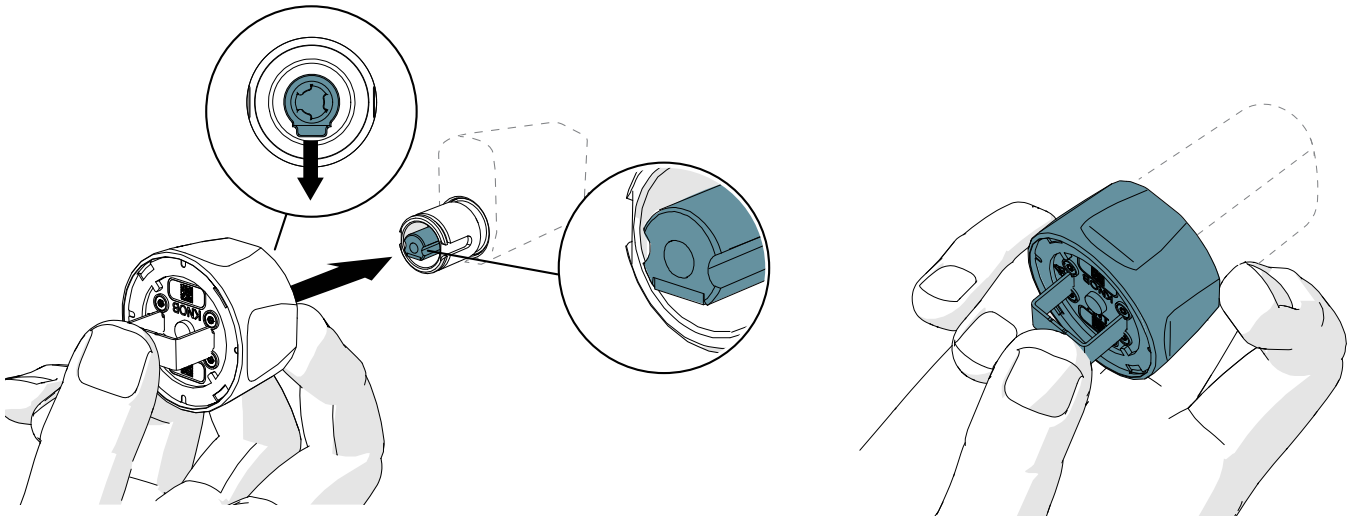
4. To reinstall the knob, insert the knob removal tool into the front of the new knob. While holding the back of the knob, press firmly on the tool until it clicks.



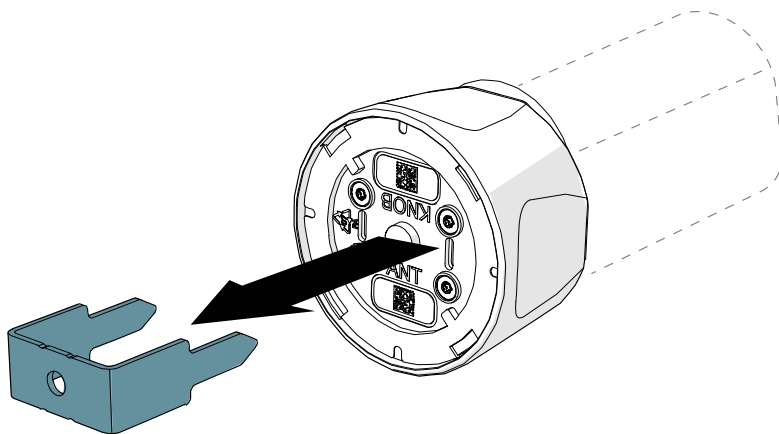
5. While pressing on the tool, slide the knob onto the cylinder until it stops.



NOTE! Make sure that the knob is inserted the correct way around so that the straight edges of the cylinder and knob align horizontally.



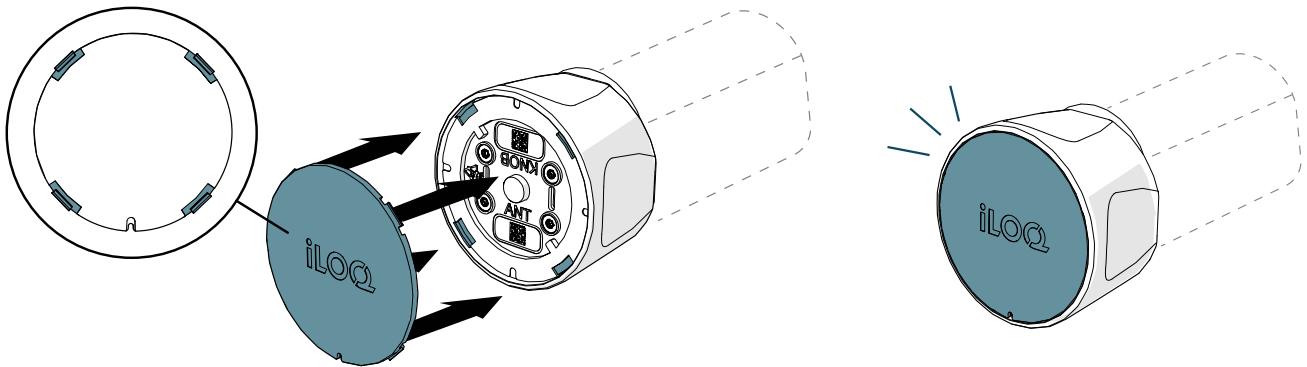
6. Remove the tool from the knob.



7. Insert the front cap into the knob by aligning the four tabs of the cap with the four pockets in the knob.
The iLOQ logo on the cap should be horizontal when the cylinder is locked.



NOTE! The front cap can be installed in four different orientations (0°, 90°, 180° and 270° angles) based on the orientation of the lock.



8. Disposal of decommissioned products



Never discard an electrical appliance in household waste. Follow the local laws and regulations for safe and environmentally friendly product disposal.



Before discarding products, bear in mind that most iLOQ products are reusable. All programmable products can be reset to factory settings, after which they can be reused in another system.

Recycling instructions of decommissioned products are depicted below.

Decommissioned product	Sorting
Decommissioned iLOQ fittings, mounting accessories and thumb turn knobs can be recycled as scrap metal.	
Decommissioned iLOQ products containing electronics and circuit boards, such as iLOQ Cylinders, iLOQ Keys, net bridges, door modules, key and NFC readers, and relay cards, must be recycled at an electrical and electronic equipment collection point.	
iLOQ products containing batteries and accumulators, such as key fobs, programming keys and clock circuits, should be recycled at a regional collection point for batteries and small accumulators.	
Most iLOQ packaging materials are suitable for cardboard and plastic recycling.	

9. Compliance

The products mentioned inside this user guide are in conformity with the requirements of the directives declared on this page

CE

SIMPLIFIED EU DECLARATION OF CONFORMITY:

Hereby, iLOQ Oy declares that the radio equipment type CA50S Lock Cylinders are in compliance with Directive 2014/53/EU. The full text of the EU declaration of conformity is available at the following internet address: www.ilooq.com/en/declaration-of-compliance/

Communication standard: NFC 13,56 MHz Load modulation (ASK) ISO/IEC 14443A, no transmitter.

FCC

Chapter 1, Subpart A, Part 2 of Title 47 of the Code of Federal Regulations

The conformity was assessed in accordance the following standard:

FCC - FCC Rule Part 15

Note: This equipment has been tested and found to comply with the limits for a Class B digital device, pursuant to part 15 of the FCC Rules. These limits are designed to provide reasonable protection against harmful interference in a residential installation. This equipment generates, uses and can radiate radio frequency energy and, if not installed and used in accordance with the instructions, may cause harmful interference to radio communications. However, there is no guarantee that interference will not occur in a particular installation. If this equipment does cause harmful interference to radio or television reception, which can be determined by turning the equipment off and on, the user is encouraged to try to correct the interference by one or more of the following measures:

- Reorient or relocate the receiving antenna.
- Increase the separation between the equipment and receiver.
- Connect the equipment into an outlet on a circuit different from that to which the receiver is connected.
- Consult the dealer or an experienced radio/TV technician for help.

ISED

Innovation, Science and Economic Development Canada (ISED)

The conformity was assessed in accordance the following standard:

ISED - ICES 003, Issue 7: 2020 - class B

Australia and New Zealand





iLOQ S50

CA50S.1.59.T AUS Oval Cylinder

User Guide

iLOQ

support.iloq.com

Elektroniikkatie 10

90590 Oulu

Finland