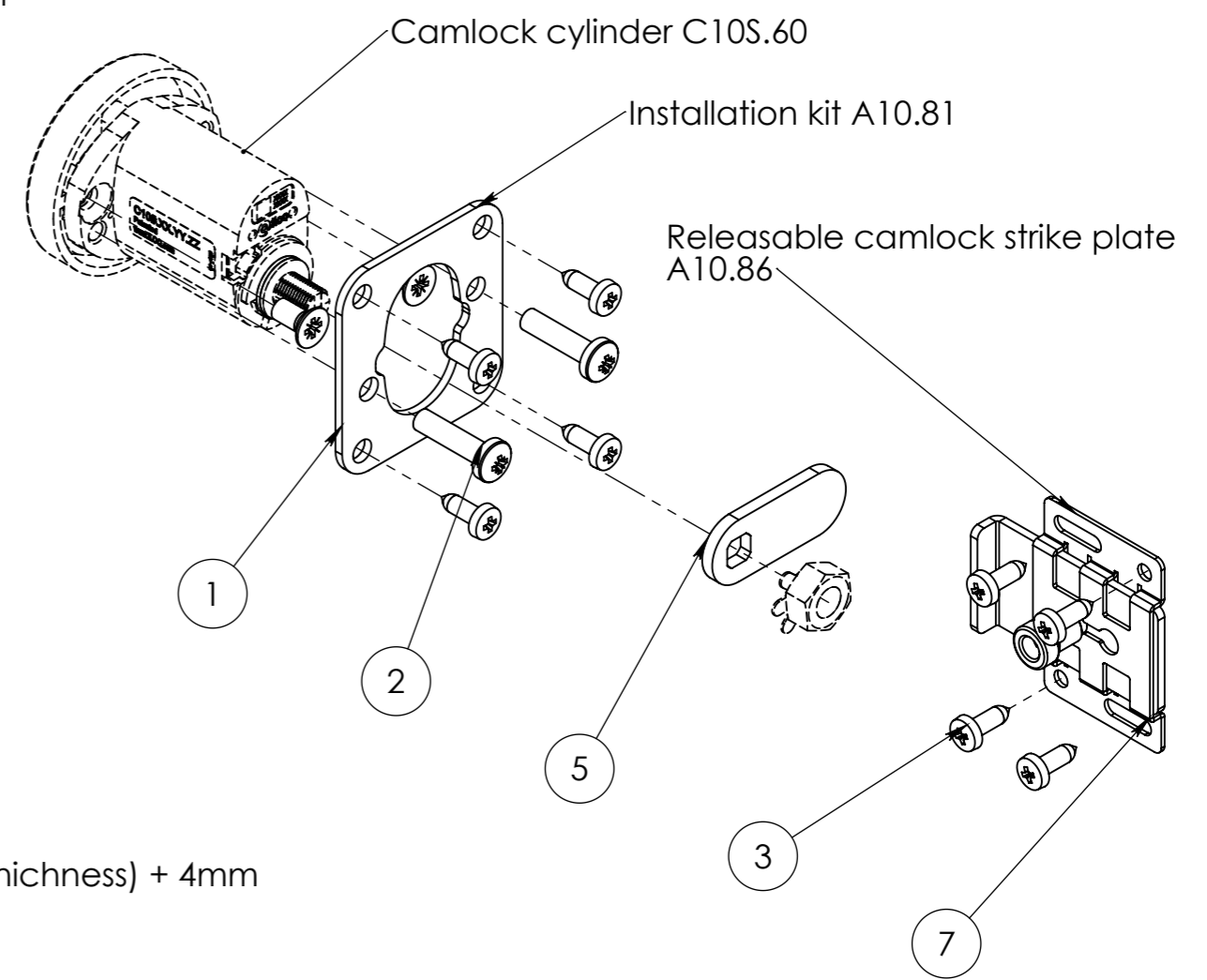
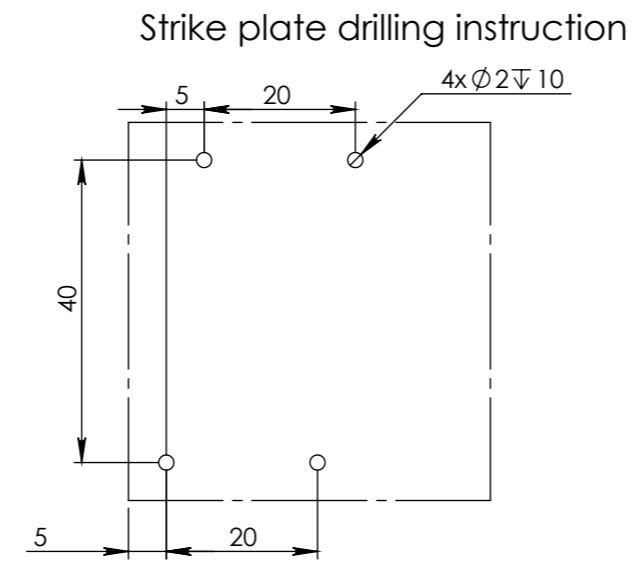
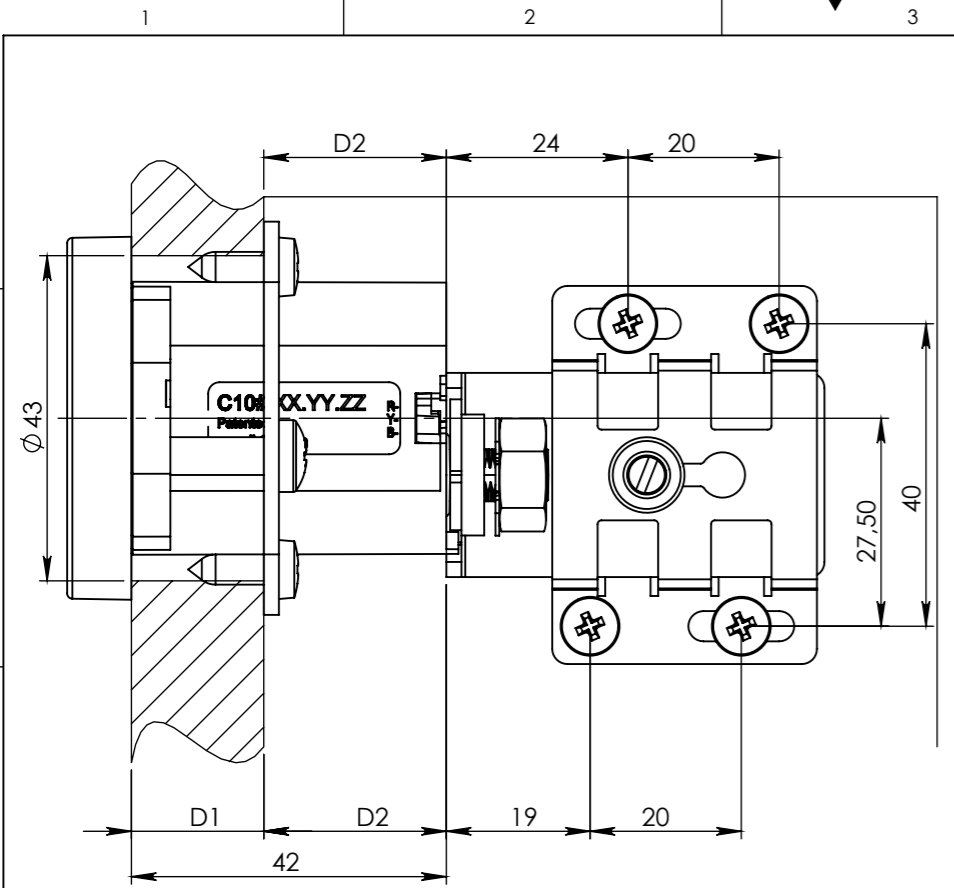
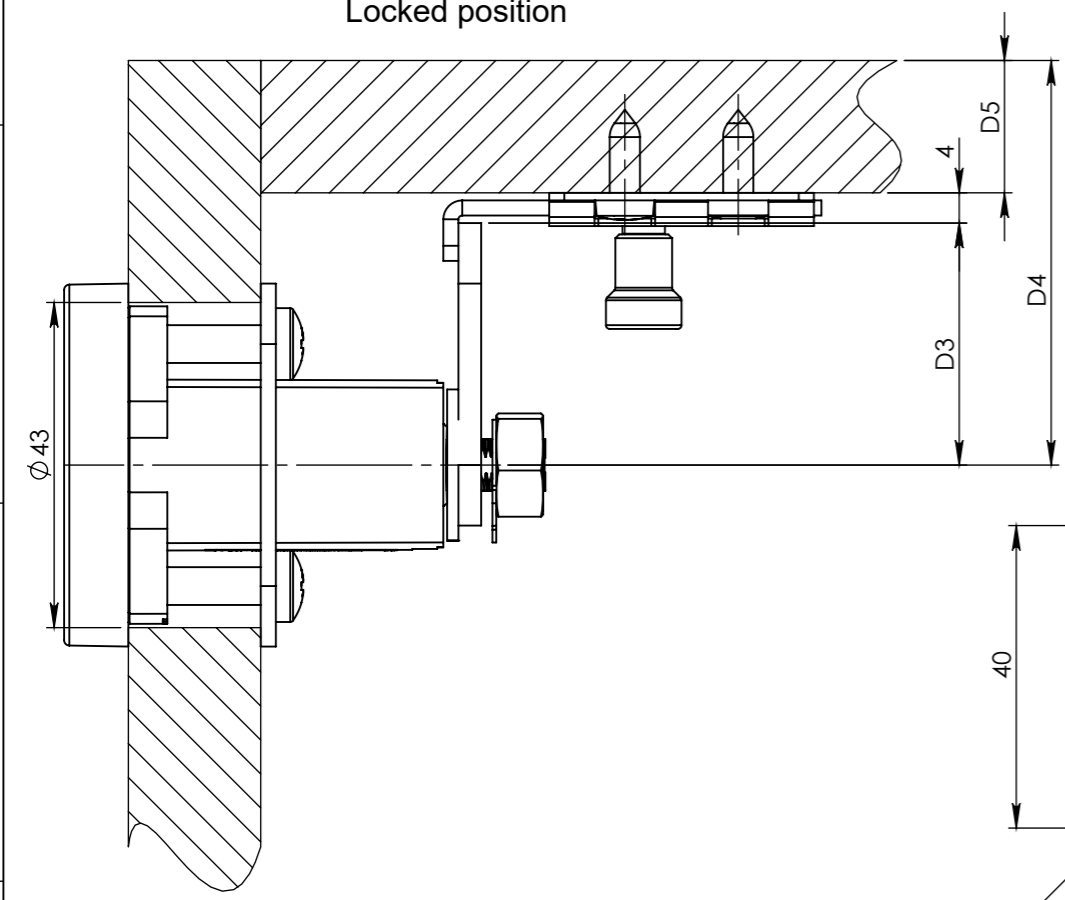


iLoq® and iLoq™ are registered trademarks of iLoq Oy. This document and its contents are the property of iLoq Oy and must not be copied, reproduced or disclosed to any third party without prior written permission. Contravention will be prosecuted.

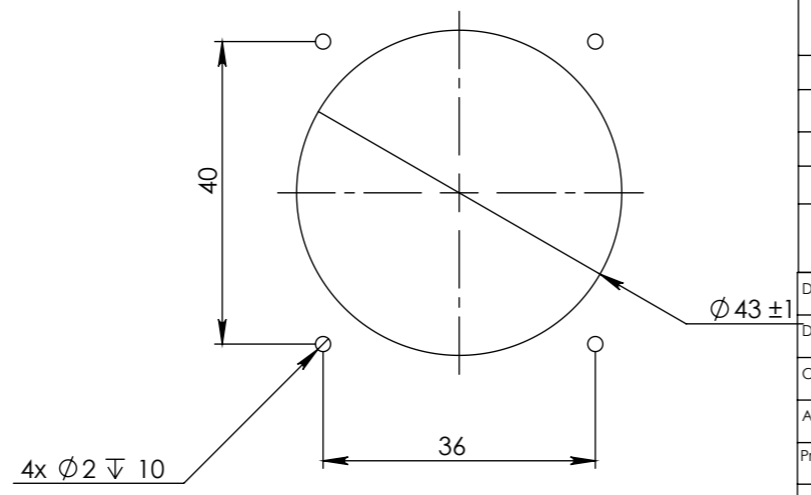


Locked position



Cylinder center drilling position
 $D = D3 \text{ (cam length)} + D5 \text{ (wall thickness)} + 4\text{mm}$

Door drillin instruction



Item	Description 1	Standard	Dimension	QTY.
7	Camlock latch	-	-	1
6	Limiter plate	-	PL1,50 20x20	1
5	Straight camlock bolt	-		1
4	Shim washer	DIN 988	8x14x1	1
3	Screw		4x12	8
2	Pan head screw	ISO 7045	M5x20	2
1	Fixing plate		PL2 48x52	1

Design: MPI 16.12.2013	Metric: mm	Std. Size:	Tolerance:
Drawn: MPI 16.12.2013		Material:	General tol. acc. ISO2768 -
Chec'd:		Finish:	Geometric tol. symbols acc. ISO1101
Appr'd:	Size: A3	Color, texture:	Surface rough. symbols acc. ISO1302
Product: Cam lock	Sheet: 1/2	Title:	



All rights reserved. iLOQ Oy
 Copyright © 2006 http://www.ilooq.com

Drilling instruction
Releasable camlock strike plate

Sales code	Drawing number:	Rev. A
------------	-----------------	---------------

D1, door thickness	Item 3	Item 4
9 - 14	M5 x 16	4 x 10
13 - 18	See BOM	See BOM
18 - 23	M5 x 25	See BOM