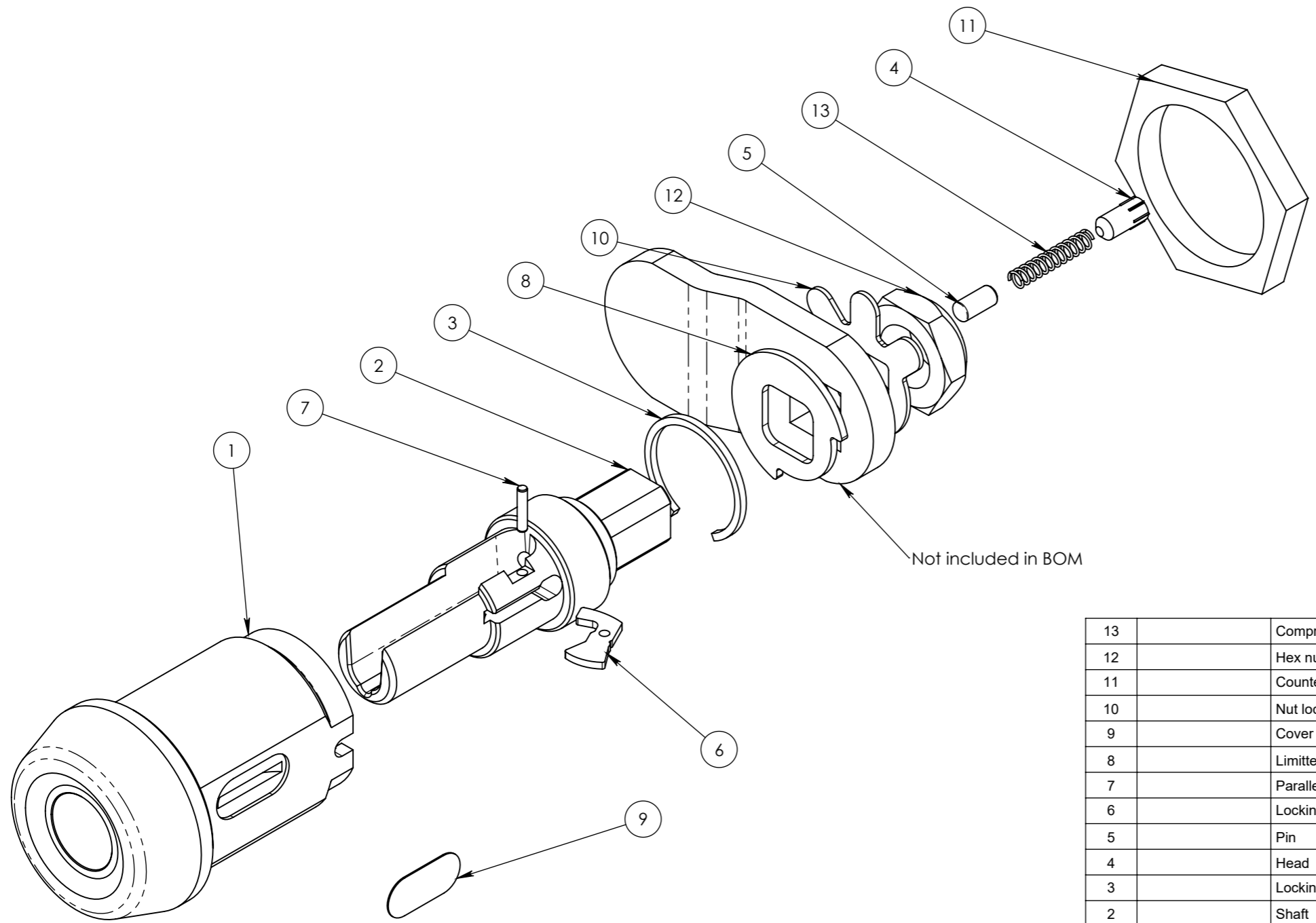


iLOQ® and iLOQ™ are registered trademarks of iLOQ Oy. This document and its contents are the property of iLOQ Oy and must not be copied, reproduced or disclosed to any third party without prior written permission. Contravention will be prosecuted.



Item	Description 1	Standard	Dimension	Qty
13	Compression spring			1
12	Hex nut		M8x0.75	1
11	Counternut	LAPP CABLE	52003510 or equal	1
10	Nut lock washer	-	-	1
9	Cover tape	-	-	1
8	Limiter	-	-	1
7	Parallel Pin	EN ISO 2338	Ø1.0 h8 x 5	1
6	Locking latch	-	-	1
5	Pin			1
4	Head			1
3	Locking ring	-	-	1
2	Shaft	-	-	1
1	Frame	-	-	1

Design: MKe 19.01.2015	Metric: mm	Std. Size: - -	Tolerance: 3D Master Data to be followed! General tol. acc. ISO2768-1 ? Size ISO 14405 (E) (M) (L) 0.2 Geometric tol. symbols acc. ISO1101:2017 Surface rough. symbols acc. ISO1302:2002
Drawn: MKe 19.01.2015		Material: -	
Chec'd: - -	Size: A3	Finish: -	
Appr'd: kellmi 06.12.2018	Sheet: 1/3	Color, texture: - MIG type: file:	
Product: A10.114	Based on:	<b>Cabinet latch</b>	
 All rights reserved. iLOQ Oy Copyright © 2006 http://www.ilooq.com		Sales code	Rev.
		A10.114	C
		Drawing number:	

1	2	3	4	5	6	7	8
A	B	C	D	E	F		
1	2	3	4	5	6	7	8