

P55S.1 Programming key

System-level description

The patented iLOQ 5 Series locking system offers advanced security and convenient access sharing features for master-key locking environments.

The iLOQ P55S.1 Programming key is used for operating the iLOQ 5 Series locking systems. Programming key is an essential part of system security and each Programming key is individual part of locking system. The Programming key is a tool to program and update lock cylinders, keys and to deploy Online devices.

The Programming key is equipped with an internal accumulator. One charging of the internal accumulator will last several months. When the device needs recharging it will inform users weeks before recharging is necessary. The Programming key can be charged with a commonly used USB B-type cable that is delivered with the Programming key. The Programming key is designed for harsh environments and climates, while remaining water-resistant and dustproof.

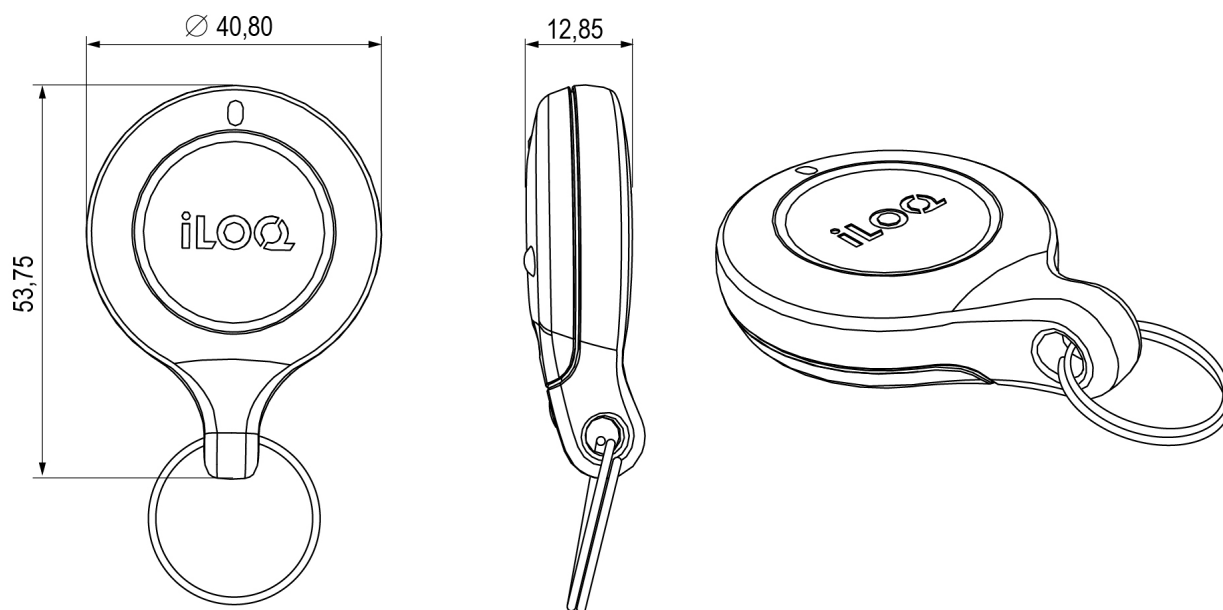
The Programming key can carry access right updates, time profile updates and blocklisting tasks to the lock cylinders.

It can also use to retrieve lock audit trails from offline lock cylinders.

Feature summary

- • Rechargeable digital Programming key for iLOQ 5 Series locking system
- • Secured using AES256 encryption
- • Programmed on iLOQ Manager – software with system specific Programming key
- • Each fob has a unique identifier and can be individually blocked from the management system
- • Laser stamped one letter and four-digit random number
- • Can be personalized with color pin
- • Sturdy, sealed structure for harsh environments with led status indication
- • Receives and transfers blocklist from/to locks when used offline
- • Receives and transfers log events from/to locks when used offline
- • Supports validity time

Dimensional drawing



Memory capacity

Number of lock event logs.....	50
Number of lock programming tasks.....	200

Technical data

Maximum charging temperature.....	113°F
Minimum charging temperature.....	32°F
Color.....	Orange
Ingress protection rating.....	IP67
Rechargeable battery lifetime per charge.....	5,000 openings / 1 year standby-time
Maximum temperature.....	140°F
Minimum temperature.....	-4°F

Certificates

Certificates.....	CE
Other certificates.....	FCC Part 15C FCC Part 15B (ICES-003) FCC Part 15.255 (ISED RSS-210) ICES 003. issue 7:2020 - class B