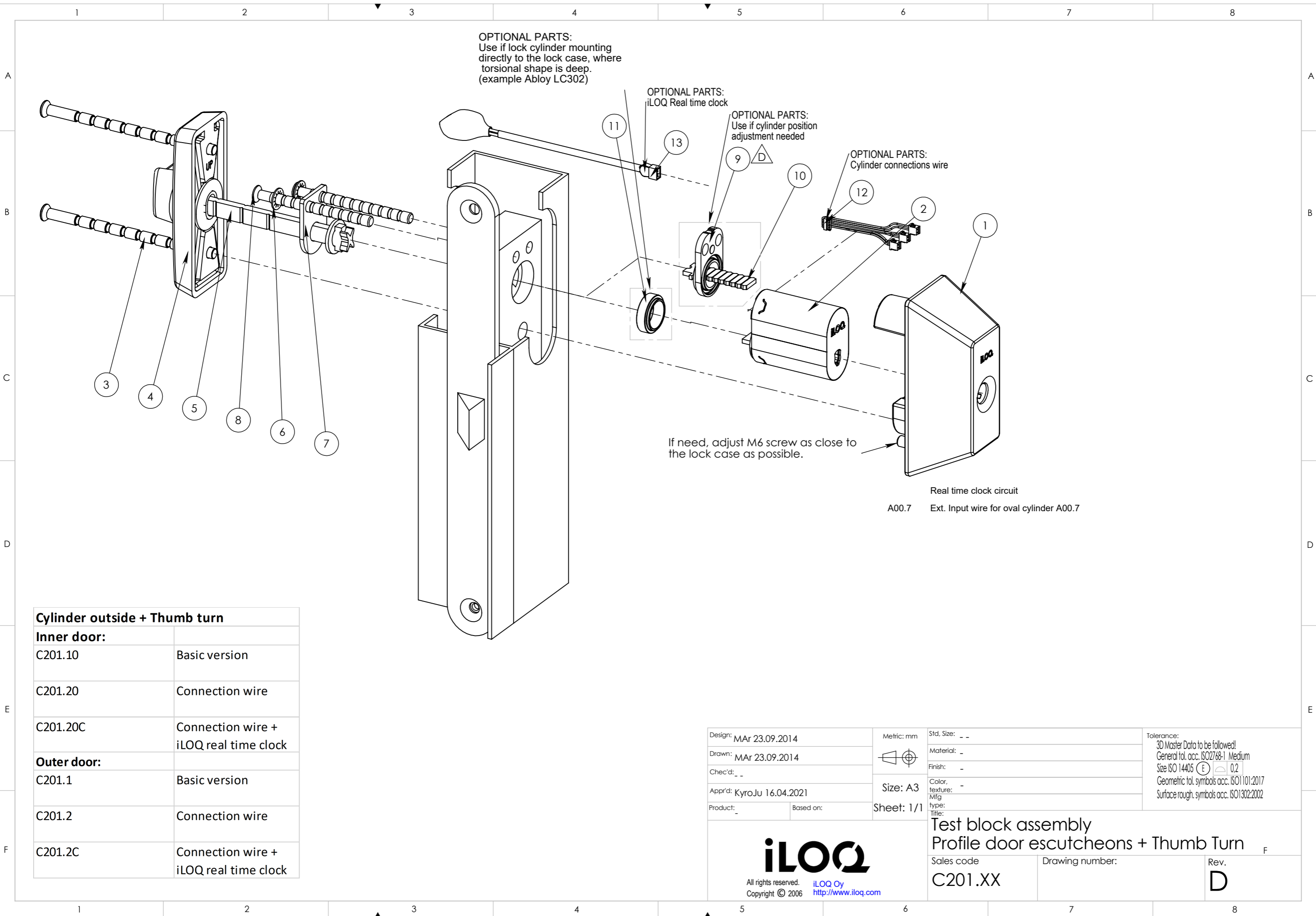


iLOQ® and iLOQ™ are registered trademarks of iLOQ Oy. This document and its contents are the property of iLOQ Oy and must not be copied, reproduced or disclosed to any third party without prior written permission. Contravention will be prosecuted.



Cylinder outside + Thumb turn	
<b>Inner door:</b>	
C201.10	Basic version
C201.20	Connection wire
C201.20C	Connection wire + iLOQ real time clock
<b>Outer door:</b>	
C201.1	Basic version
C201.2	Connection wire
C201.2C	Connection wire + iLOQ real time clock

Design: MAr 23.09.2014	Metric: mm	Std. Size: --	Tolerance: 3D Master Data to be followed! General tol. acc. ISO2768-1 Medium Size ISO 14405 (E) (0.2) Geometric tol. symbols acc. ISO1101:2017 Surface rough. symbols acc. ISO1302:2002
Drawn: MAr 23.09.2014		Material: -	
Chec'd: --	Size: A3	Finish: -	
Appr'd: KyroJu 16.04.2021	Sheet: 1/1	Color, texture: -	
Product: -	Based on:	Type: -	
 All rights reserved. iLOQ Oy Copyright © 2006 <a href="http://www.ilooq.com">http://www.ilooq.com</a>		Test block assembly Profile door escutcheons + Thumb Turn	
		Sales code <b>C201.XX</b>	Drawing number: