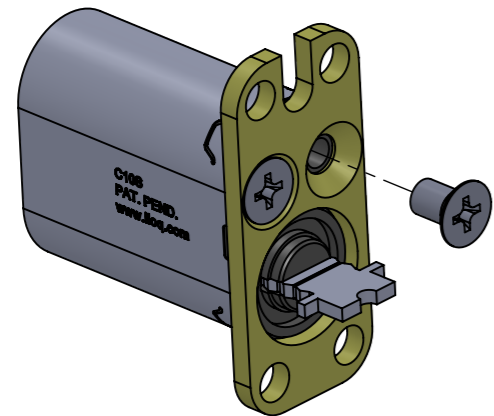
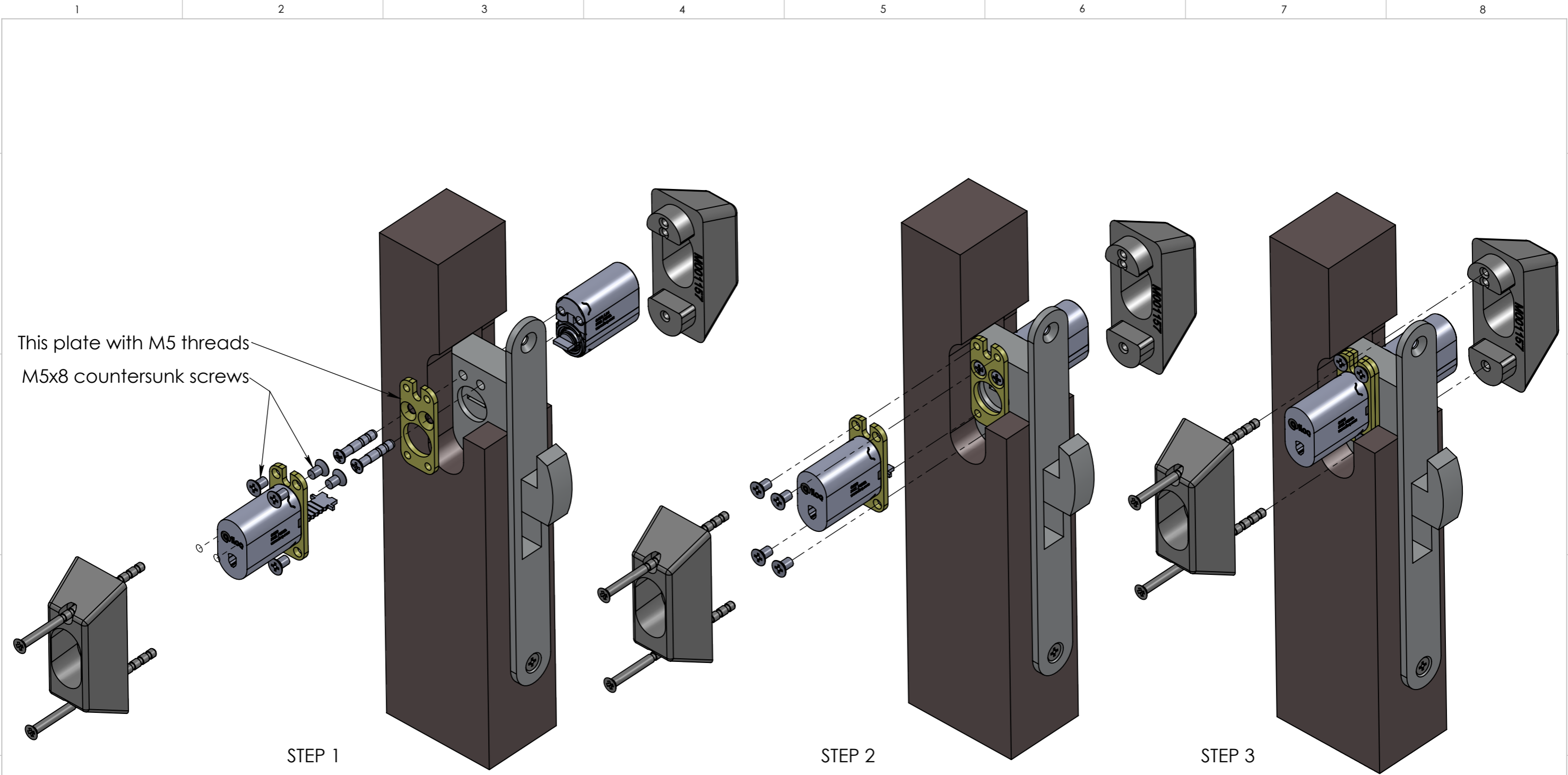


iLoq® and iLoq™ are registered trademarks of iLoq Oy. This document and its contents are the property of iLoq Oy and must not be copied, reproduced or disclosed to any third party without prior written permission. Contravention will be prosecuted.



Design: TJU 19.11.2009	Metric: mm	Size, std: --	Tolerance:
Drawn: STo 14.11.2012		Material: -	General tol. acc. ISO2768 - ?
Chec'd: _	Size: A3	Finish: -	Geometric tol. symbols acc. ISO1101
Appr'd: _		Color, texture: -	Surface rough. symbols acc. ISO1302
Part ref:		Title:	Mass: kg
Product: Accessories		Assembly instruction	
Prod. call name		Dual side installation, Profile door	
Sheet: 1 / 1		All rights reserved. Copyright (C) 2006 iLoq Oy <a href="http://www.iLoq.com">http://www.iLoq.com</a>	Drawing number:
			Rev. C