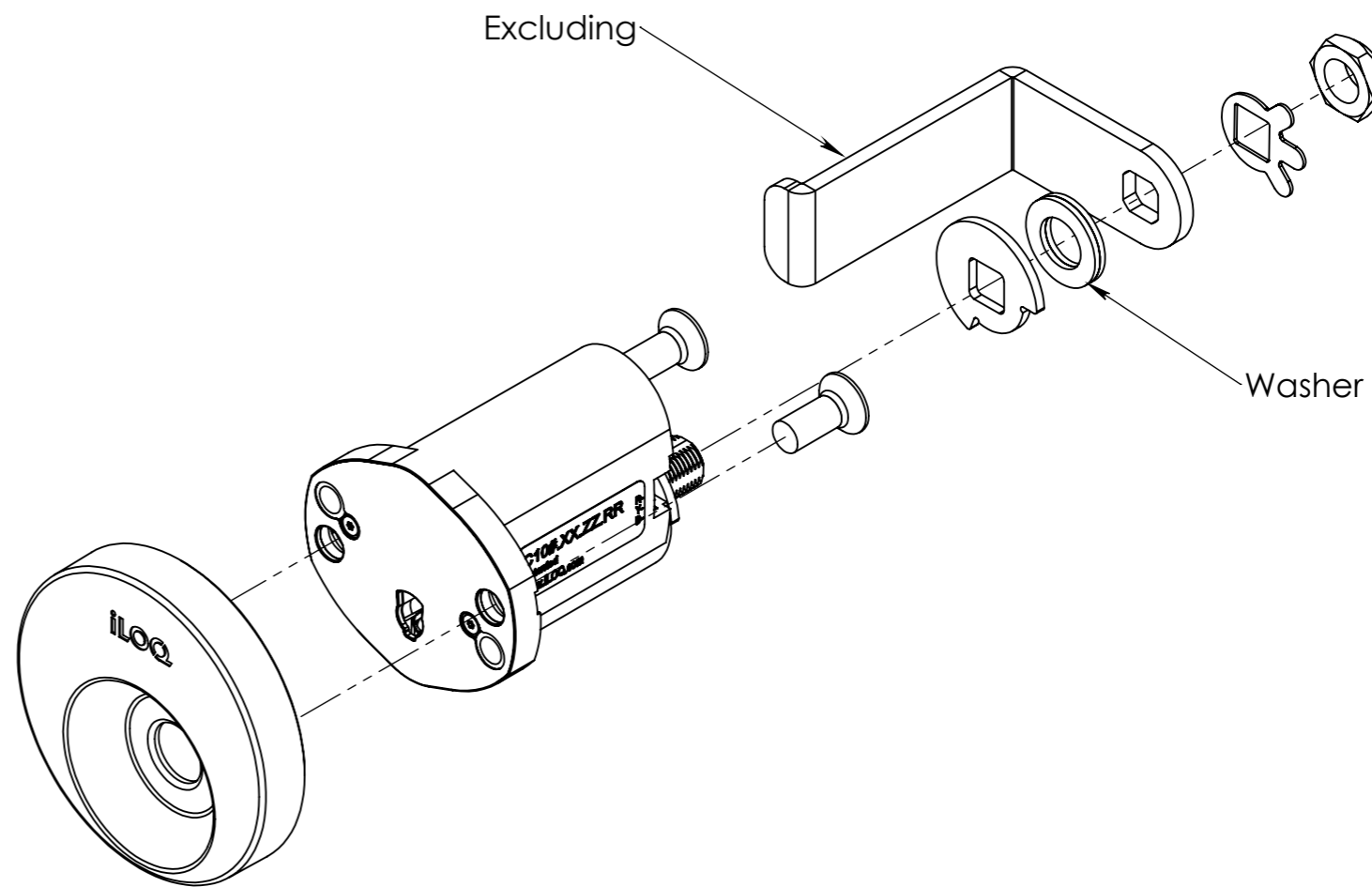
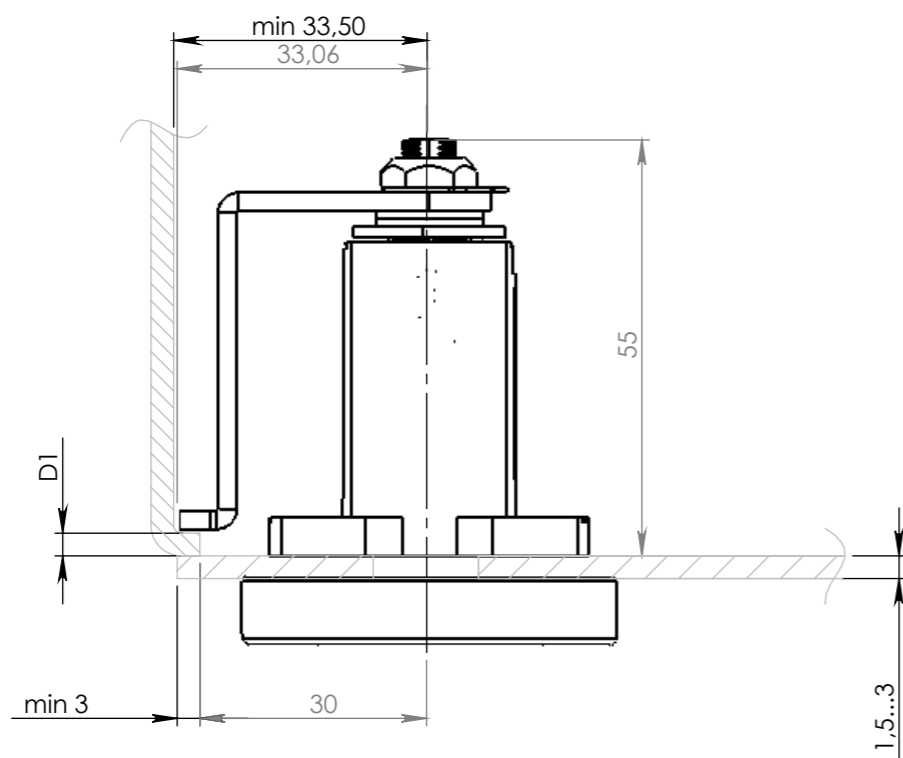
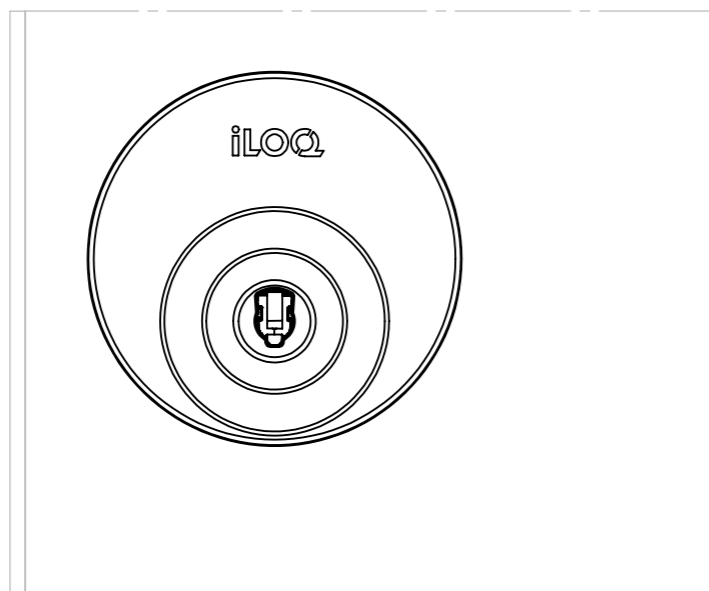
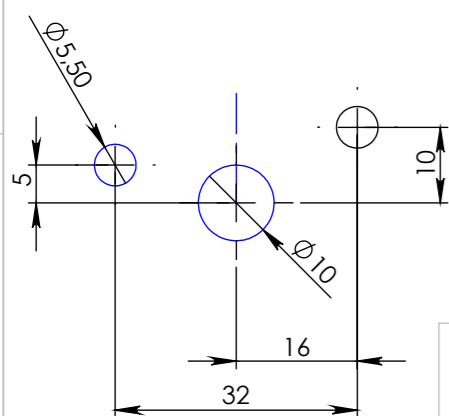


iLOQ® and iLOQ™ are registered trademarks of iLOQ Oy. This document and its contents are the property of iLOQ Oy and must not be copied, reproduced or disclosed to any third party without prior written permission. Contravention will be prosecuted.

Drilling instruction



Dim D1 (frame thickness)	Qty of shim washer M001750
<1mm	0
1mm...2mm	1
2mm...3mm	2
3mm...4mm	3

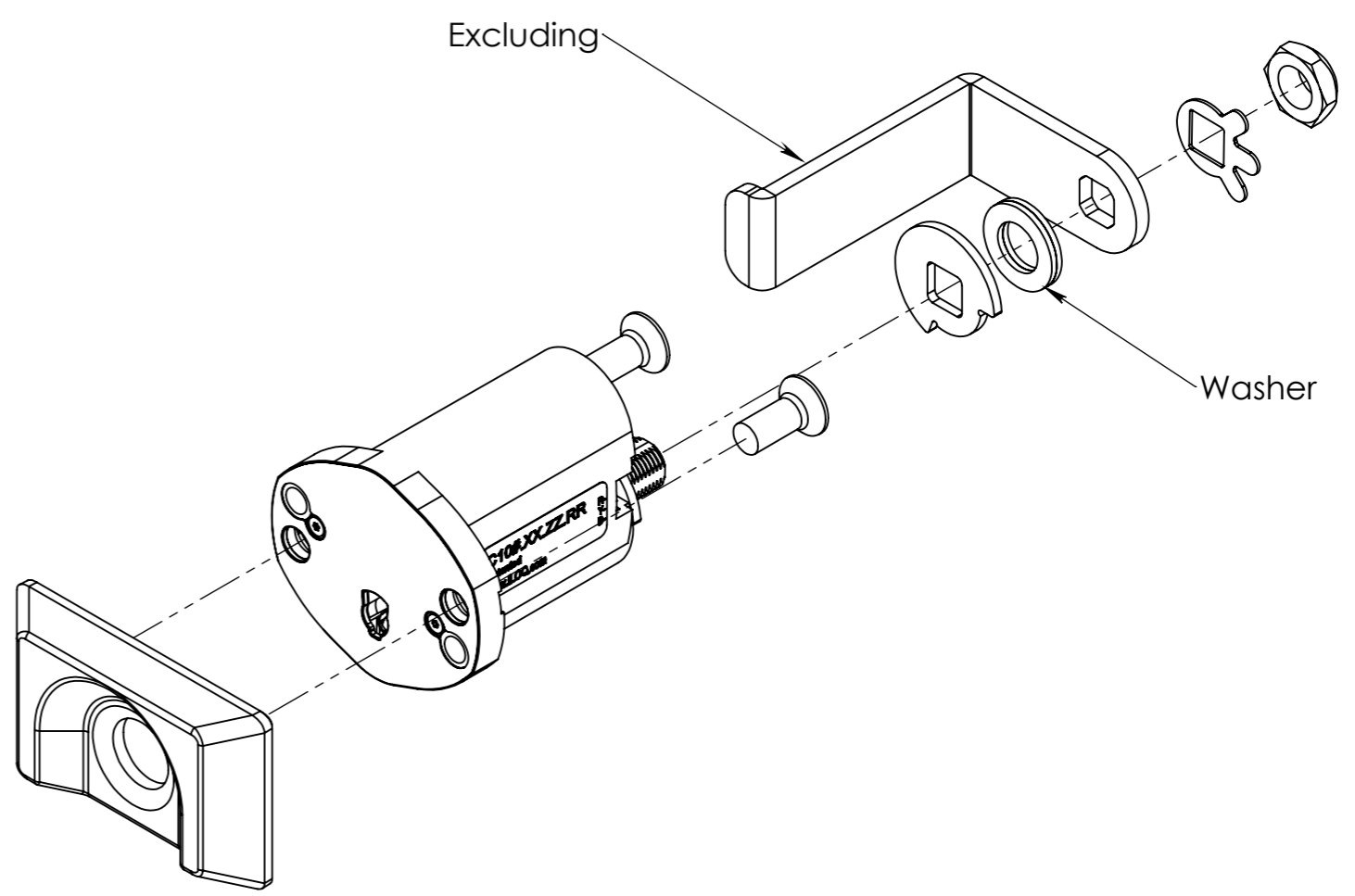
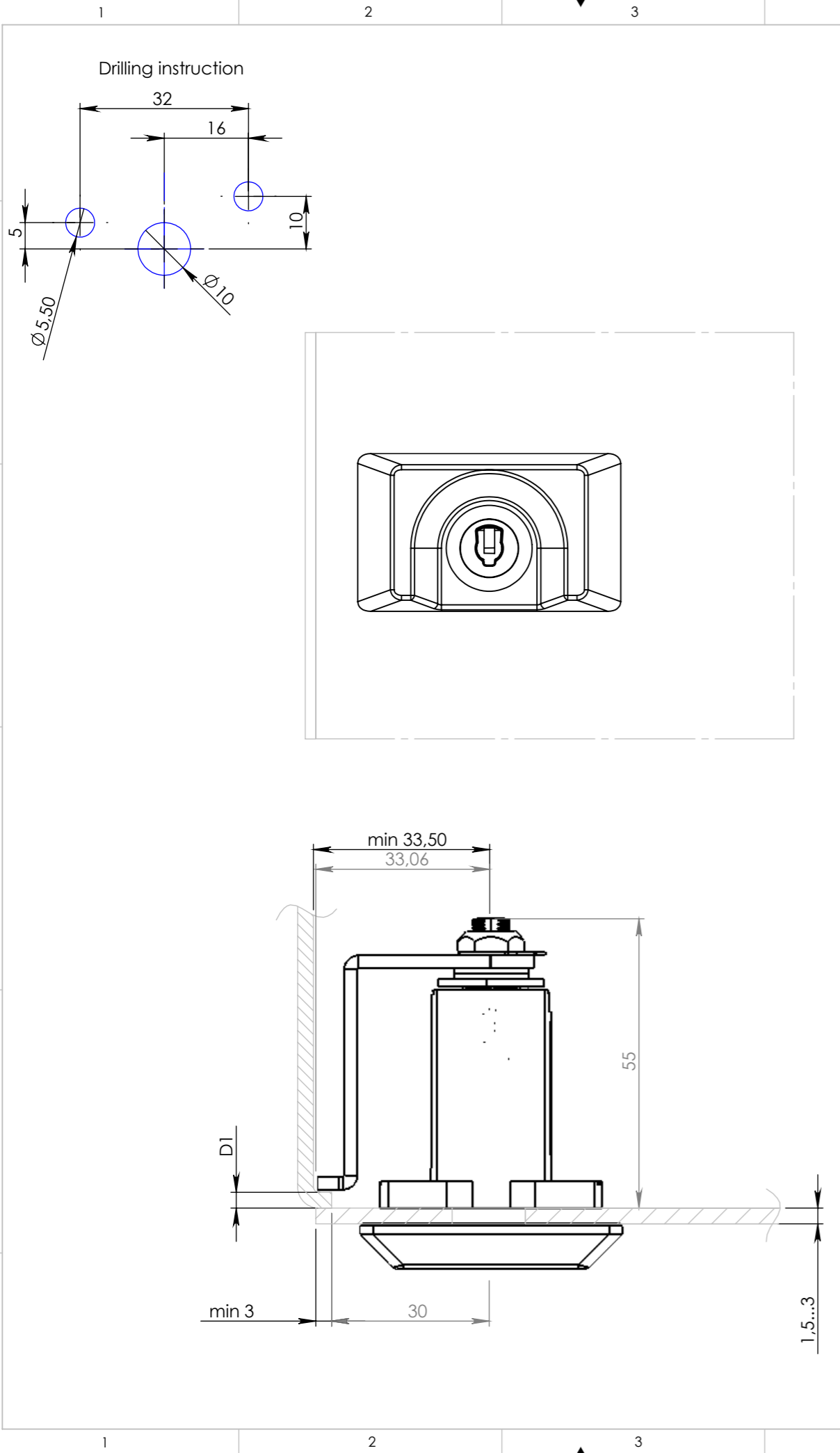
Design:	Metric: mm	Std. Size:	Tolerance: 3D Master Data to be followed! General tol. acc. ISO2768-1 Size ISO 14405 $\text{E}$ $\text{0.2}$ Geometric tol. symbols acc. ISO 1101:2017 Surface rough. symbols acc. ISO 1302:2002
Drawn:		Material:	
Chec'd:	Size: A3	Finish:	
Appr'd:	Sheet: 1/3	Color, texture: Mig	
Product:	Based on:	Title:	

General installation guide CxS.5/.50  
Metal door, Round Escutcheon

**iLOQ**

All rights reserved. iLOQ Oy  
Copyright © 2006 <http://www.iloo.com>

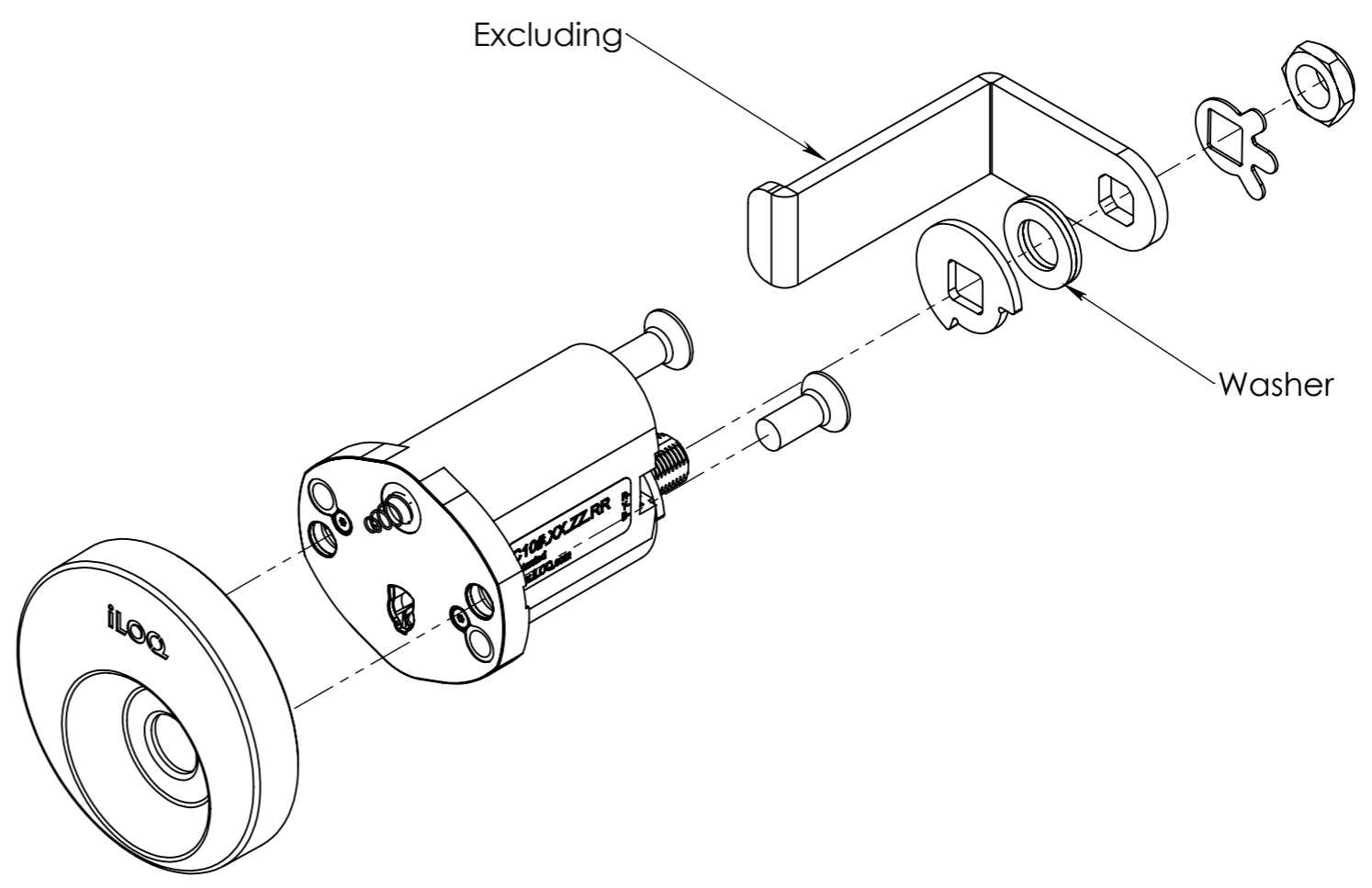
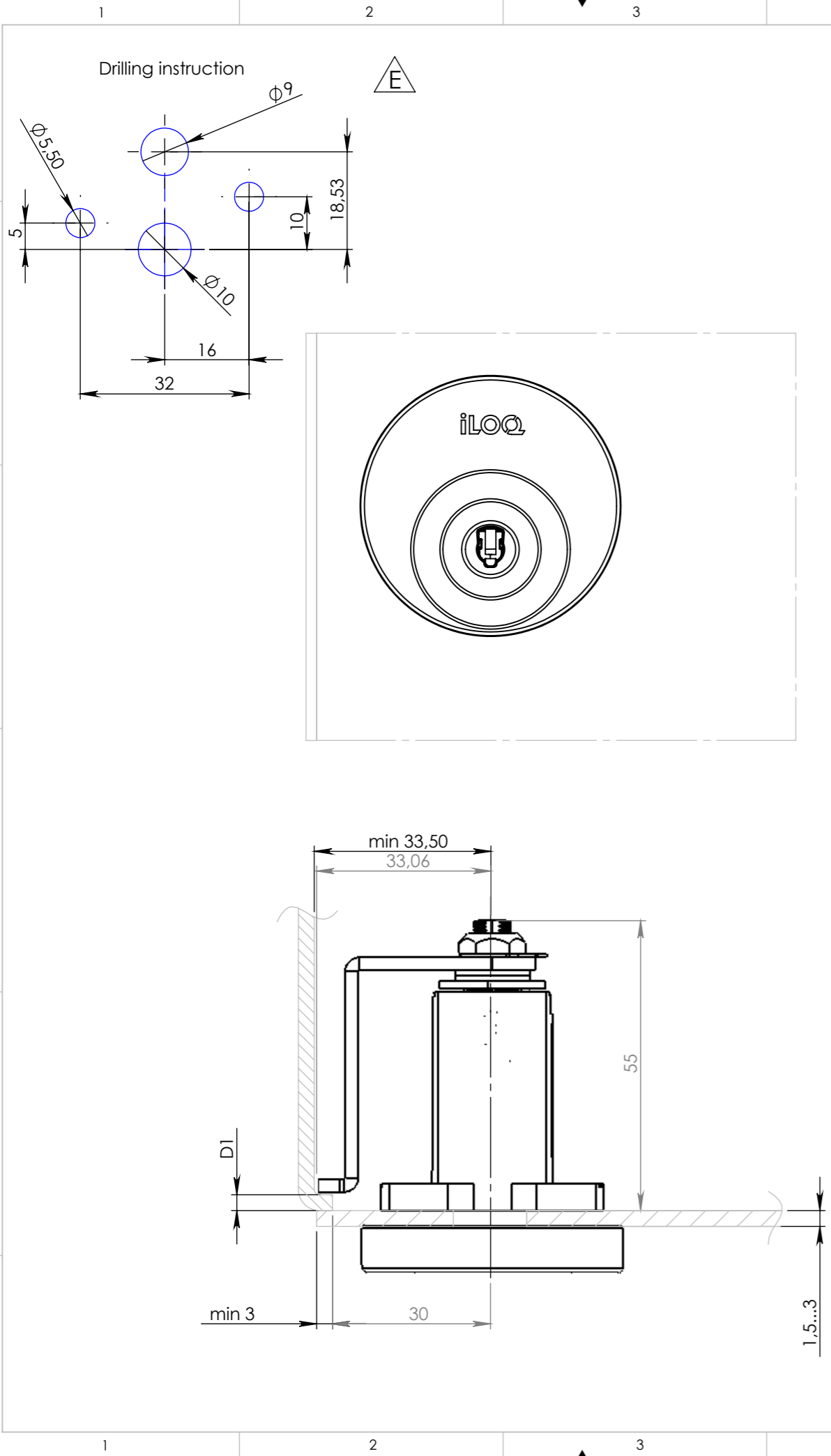
iLOQ® and iLOQ™ are registered trademarks of iLOQ Oy. This document and its contents are the property of iLOQ Oy and must not be copied, reproduced or disclosed to any third party without prior written permission. Contravention will be prosecuted.



Dim D1 (frame thickness)	Qty of shim washer M001750
<1mm	0
1mm...2mm	1
2mm...3mm	2
3mm...4mm	3

Design:	Metric: mm	Std. Size:	Tolerance: 3D Master Data to be followed! General tol. acc. ISO2768-1 Size ISO 14405 (E) (0,2) Geometric tol. symbols acc. ISO 1101:2017 Surface rough. symbols acc. ISO 1302:2002
Drawn:		Material:	
Chec'd:		Finish:	
Appr'd:		Color, texture: Mfg	
Product:	Based on:	Size: A3	
		Sheet: 2/3	
<b>iLOQ</b>		<b>General installation guide CxS.5/.50</b> Metal door, Small Escutcheon	
All rights reserved. iLOQ Oy Copyright © 2006 <a href="http://www.ilooq.com">http://www.ilooq.com</a>			

iLOQ® and iLOQ™ are registered trademarks of iLOQ Oy. This document and its contents are the property of iLOQ Oy and must not be copied, reproduced or disclosed to any third party without prior written permission. Contravention will be prosecuted.



Dim D1 (frame thickness)	Qty of shim washer M001750
<1mm	0
1mm...2mm	1
2mm...3mm	2
3mm...4mm	3

Design:	Metric: mm	Std. Size:	Tolerance: 3D Master Data to be followed! General tol. acc. ISO2768-1 Size ISO 14405 (E) (0.2) Geometric tol. symbols acc. ISO 1101:2017 Surface rough. symbols acc. ISO 1302:2002
Drawn:		Material:	
Chec'd:	Size: A3	Finish:	
Appr'd:	Sheet: 3/3	Color, texture: Mig	
Product:	Based on:	Title:	
<b>iLOQ</b> All rights reserved. iLOQ Oy Copyright © 2006 <a href="http://www.iloo.com">http://www.iloo.com</a>		<b>General installation guide CxS.6/.60</b> <b>Metal door, Round RTC Escutcheon</b>	