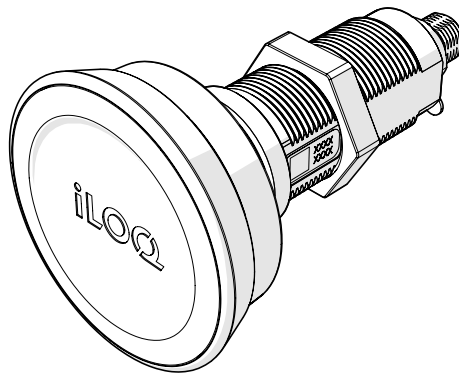




iLOQ S50  
Cam Lock Cylinder  
G50S.231  
G50S.241  
User Guide



06/2024  
Rev. 1.2

Document ID  
293073



**iLOQ Oy**  
[support.ilq.com](https://support.ilq.com)

# Contents

1.	Contents .....	2
2.	Safety Information.....	3
2.1	Safety signs .....	3
3.	Overview .....	3
4.	Before installation .....	4
4.1	General notes.....	4
4.2	Care & maintenance.....	4
5.	Installation .....	4
5.1	Basic assembly .....	5
5.2	Assembly with the optional escutcheon and optional security nut.....	6
6.	Accessories .....	7
7.	Operating instructions.....	8
7.1	Opening .....	8
7.2	Locking .....	9
7.2.1	Locking without key (G50S.241).....	9
7.2.2	Locking with key (G50S.231).....	9
8.	Replacing the reader knob.....	10
9.	Disposal of decommissioned products.....	12
10.	Compliance .....	13

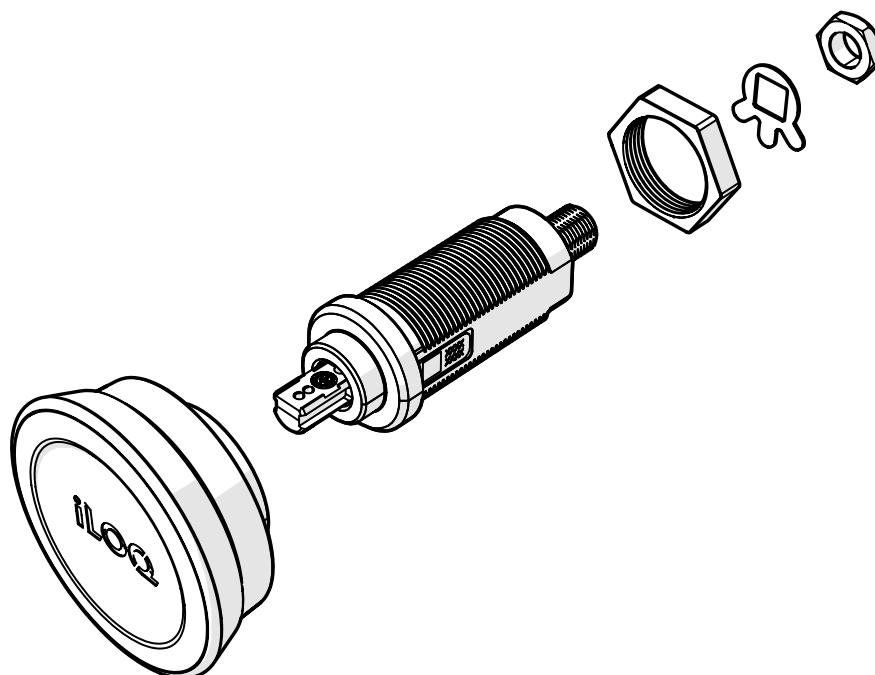
# 1. Safety Information

## 1.1 Safety signs

Sign	Description
	General notice sign. Indicates particularly important information about the installation or product.
	Read these instructions carefully before using products. This information is to ensure your safety and long lifetime of the products.

## 2. Overview

The iLOQ G50S.231 and G50S.241 are battery-free programmable electromechanical cam locks for the iLOQ S50 product family in the 5 Series platform. The G50S.231 is unlocked and locked with a key and the G50S.241 is lockable without a key. Suitable for cams with a 7x7 hole and installation to a 19,2x16,2 mm hole. The cam is not included in the cam lock.



## 3. Before installation

### 3.1 General notes

- These instructions and any maintenance instructions should be passed on by the installer to the user. If there are any deviations from the contents in foreign language versions of the documentation, the English original shall apply in case of doubt.
- The iLOQ G50S cylinders must be installed and used effortlessly without the use of excessive force.
- Do not modify the product in any way, except in accordance with those modifications described in these instructions.
- The lock cylinder has a 24 month warranty.
- Make sure that any seals or weather-stripping fitted to the complete door assembly, do not inhibit the correct operations of the cylinder.
- Make sure that no projection of the cylinder and associated parts, can prevent the door from swinging freely.

### 3.2 Care & maintenance

The product is designed to be maintenance-free. It does not require any regular maintenance.

## 4. Installation

Use the appropriate escutcheon and/or adapter type according to the installation environment:

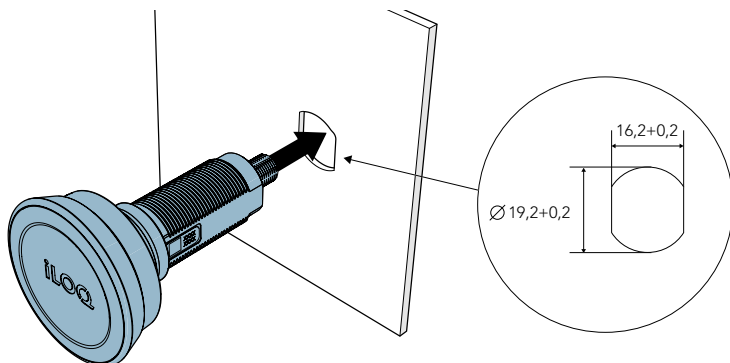
- G50S for Finnish installations – no need for adapters
- Installation kit may be needed for other G50S installations ([see section 6. Accessories](#)).

Tightening torques for installation:

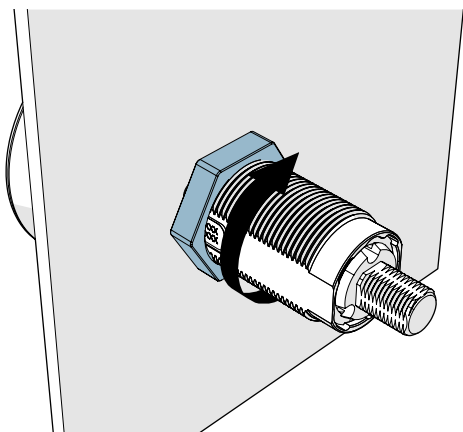
- Cylinder fixing nut: 8 Nm
- Security nut: 8 Nm
- Latch fixing nut: 1 Nm

## 4.1 Basic assembly

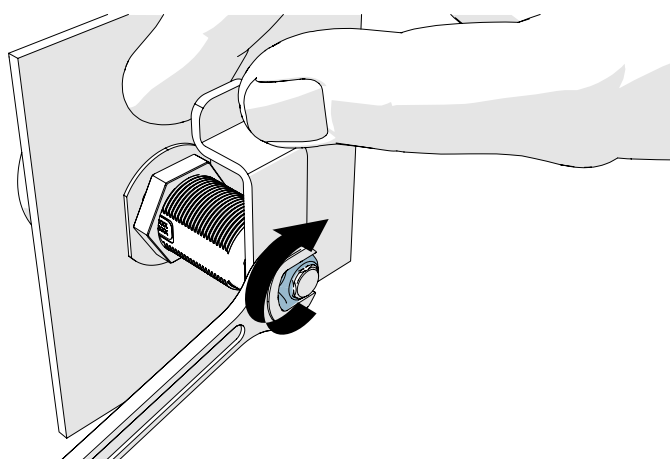
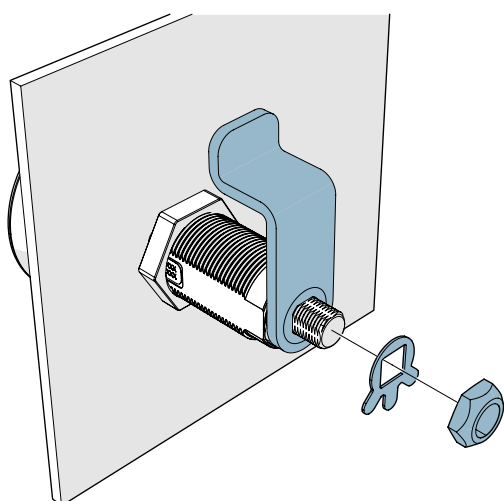
1. Insert the lock cylinder body through the hole in the door.



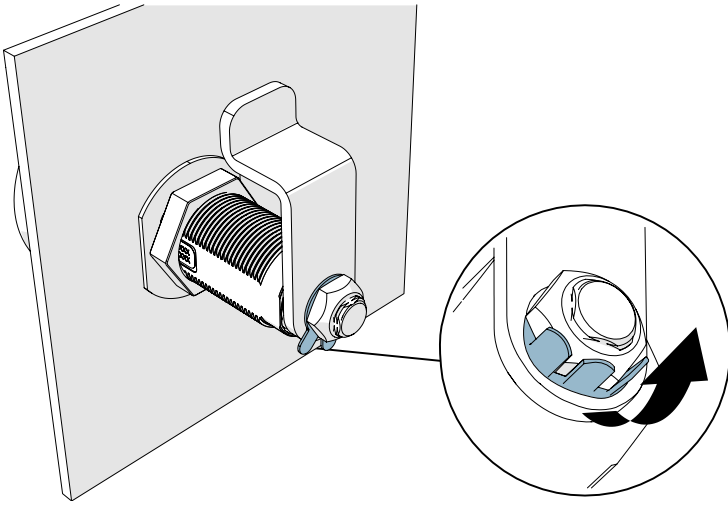
2. Install and tighten the cylinder fixing nut to a torque of 8 Nm.



3. Install the latch, locking washer and latch fixing nut (1 Nm torque).

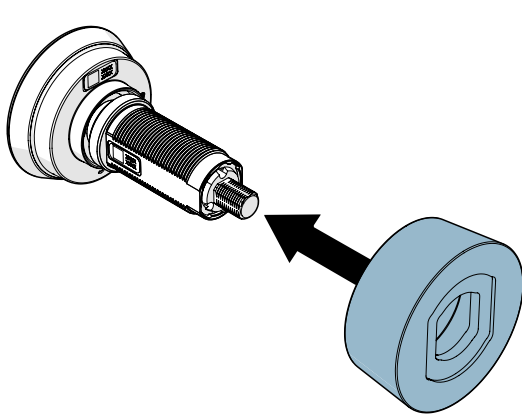


4. Use the locking washer to secure the latch fixing nut once tightened.

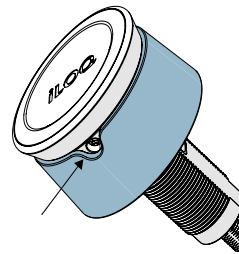


## 4.2 Assembly with the optional escutcheon and optional security nut

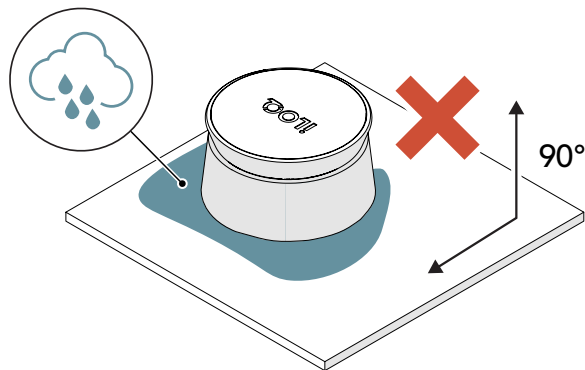
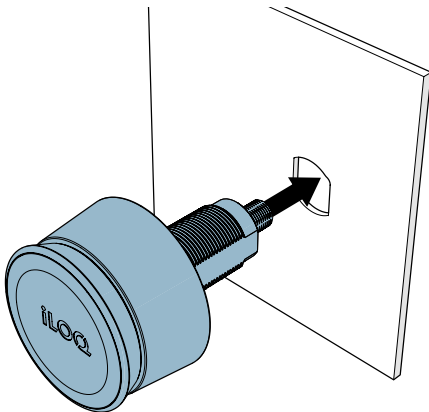
1. Slide the escutcheon onto the lock cylinder body.



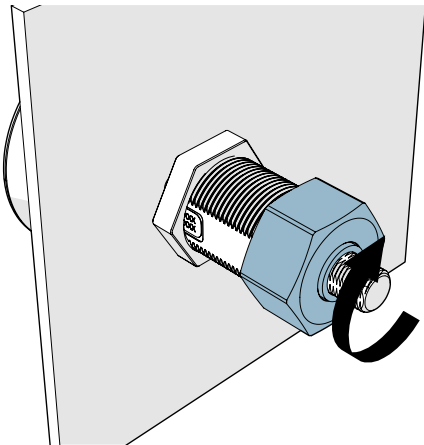
**Make sure that the notch in the escutcheon is correctly aligned with the screw in the reader knob.**



2. Insert the lock cylinder body through the hole in the door.

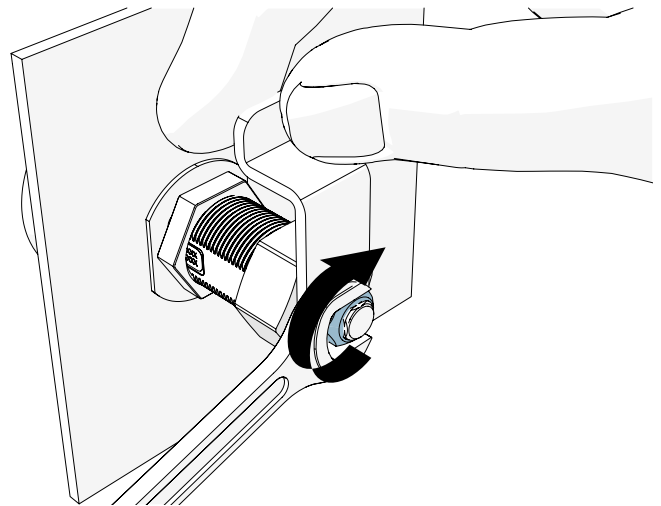
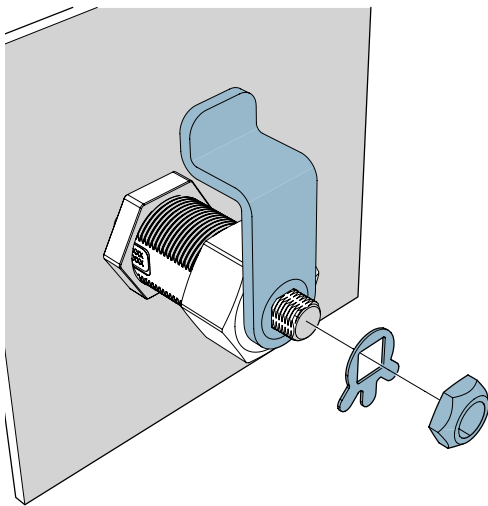


3. Install and tighten the security nut to a torque of 8 Nm.

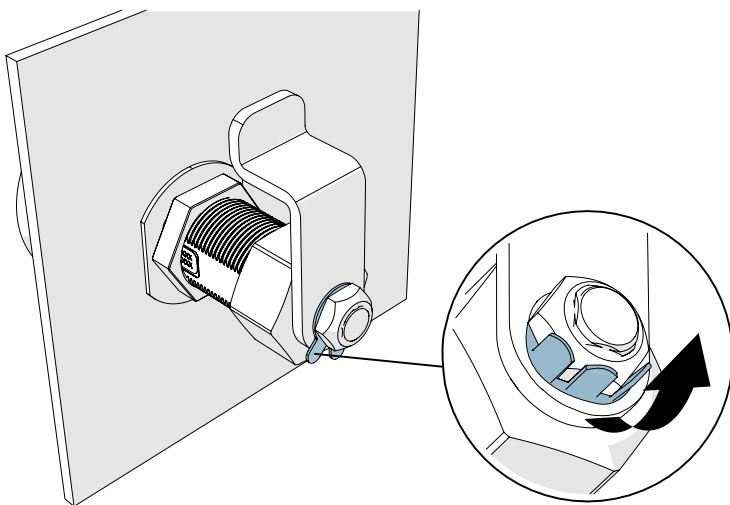


The security nut can be used to improve the strength of the cam against pulling.

4. Install the latch, locking washer and latch fixing nut (1 Nm torque).



5. Use the locking washer to secure the latch fixing nut once tightened.



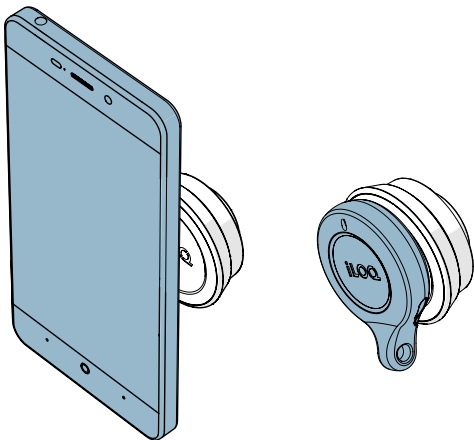
## 5. Accessories

Product ID	Product Name	Description
AG50.2	Spacer ring	for G50S lock, 4mm
AG50.5	Cam lock installation adapter	for wooden doors, Swedish, 21mm hole
AG50.6	Mounting plate	for wooden doors, anti-rotation
AG50.7	Cam lock escutcheon	For G50S.231/.241 lock, round, CR
AG50.8	Security nut	For G50S.231/.241 lock
AG50.9	Worm box accessory kit	For G50S.231/.241 lock
AG50.10	Big Belly accessory kit	For G50S.231/.241 lock
AG50.11	EFW Big Belly spacer	Installation kit for G50S.231/.241 EFW cabinets

## 6. Operating instructions

### 6.1 Opening

1. Hold a valid key against the reader knob and wait until the key shows a green light.

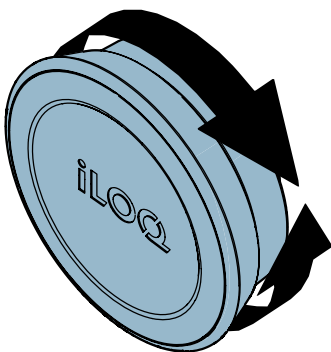


**Note! Due to large variety of NFC enabled phone models and operating system versions, iLOQ cannot guarantee that all NFC-enabled phones will work seamlessly with our locks.**



**Before using the locks, check where the NFC antenna is located in your phone so that you know the best position to hold the phone against the knob.**

2. Turn the reader knob to unlock the door, then open the door.



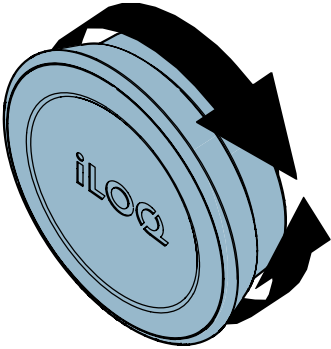
**After 5 to 15 seconds, the cylinder will automatically be locked. When the cylinder is locked, the reader knob cannot be rotated.**



## 6.2 Locking

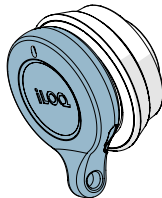
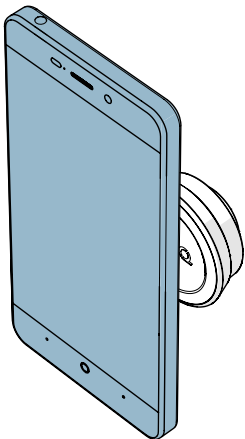
### 6.2.1 Locking without key (G50S.241)

1. Push the door to the closed position and turn the reader knob counterclockwise to lock the door.



### 6.2.2 Locking with key (G50S.231)

1. Hold a valid key against the reader knob and wait until the key shows a green light.

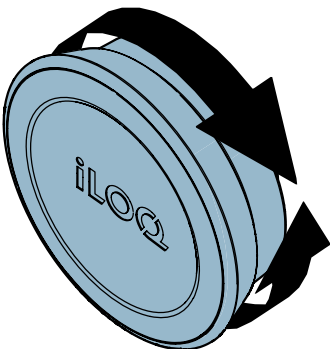


**Note!** Due to large variety of NFC enabled phone models and operating system versions, iLOQ cannot guarantee that all NFC-enabled phones will work seamlessly with our locks.



**Before using the locks, check where the NFC antenna is located in your phone so that you know the best position to hold the phone against the knob.**

2. Push the door to the closed position and turn the reader knob counterclockwise.

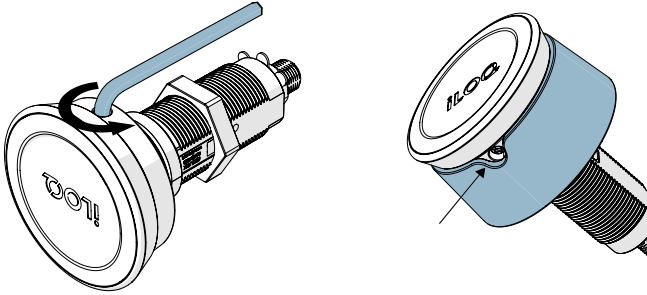


**After 5 to 15 seconds, the cylinder will automatically be locked. When the cylinder is locked, the iLOQ Reader Knob cannot be rotated.**

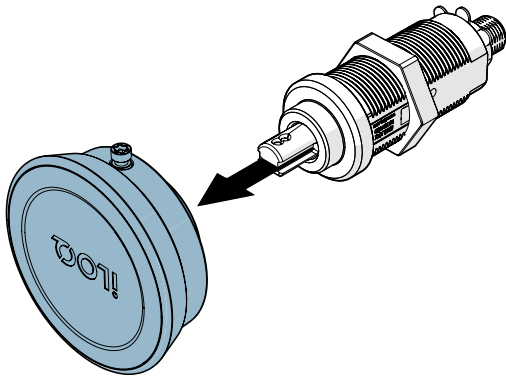
## 7. Replacing the reader knob

If the reader knob is damaged and needs replacement knob, please follow instructions how to replace the reader knob correctly.

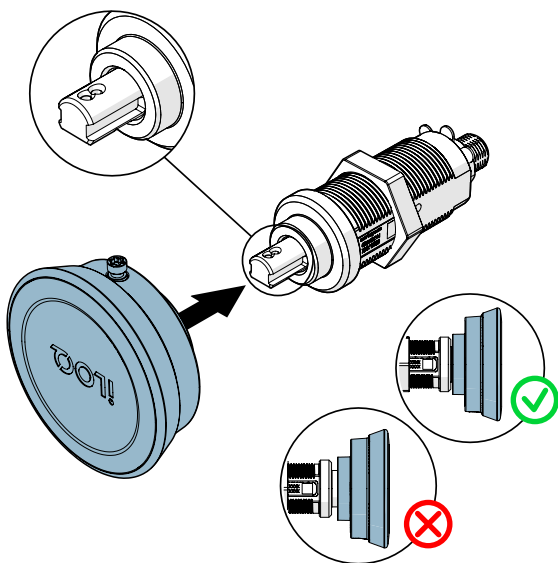
1. Loosen the screw on the reader knob. Use a T10 (torx) tool.



2. Remove the reader knob from the cylinder neck.

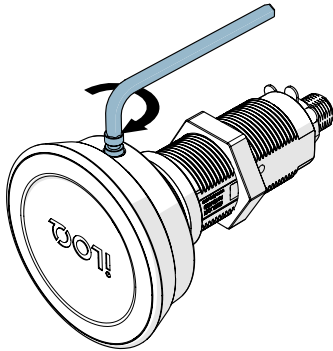


3. Slide the new reader knob onto the neck so that the screw hole is facing the same direction as the two knob adjustment slots in the neck.





**Make sure that there is no gap between the reader knob and the body of the lock cylinder. If there is, the weather protection sealings will not function correctly.**

4. Tighten the screw to a torque of 1.5 Nm.







**Make sure that the head of the screw goes into the hole completely. A visible cap indicates that the screw is not correctly aligned with the adjustment slots in the cylinder neck.**

## 8. Disposal of decommissioned products

	<p>Never discard an electrical appliance in household waste. Follow the local laws and regulations for safe and environmentally friendly product disposal.</p>
	<p>Before discarding products, bear in mind that most iLOQ products are <b>reusable</b>. All programmable products can be reset to factory settings, after which they can be reused in another system.</p>

Recycling instructions of decommissioned products are depicted below.

Decommissioned product	Sorting
<p>Decommissioned iLOQ fittings, mounting accessories and thumb turn knobs can be recycled as scrap metal.</p>	
<p>Decommissioned iLOQ products containing electronics and circuit boards, such as iLOQ Lock Cylinders, keys, net bridges, door modules, key and RFID readers, and relay cards, must be recycled at an electrical and electronic equipment collection point.</p>	
<p>iLOQ products containing batteries and accumulators, such as key fobs, programming keys and clock circuits, should be recycled at a regional collection point for batteries and small accumulators.</p>	
<p>Most iLOQ packaging materials are suitable for cardboard and plastic recycling.</p>	

## 9. Compliance

The products mentioned inside this user guide are in conformity with the requirements of the directives declared on this page.

### CE

#### **SIMPLIFIED EU DECLARATION OF CONFORMITY:**

Hereby, iLOQ Oy declares that the radio equipment type G50S Lock Cylinders are in compliance with Directive 2014/53/EU. The full text of the EU declaration of conformity is available at the following internet address: [www.iloq.com/en/declaration-of-compliance/](http://www.iloq.com/en/declaration-of-compliance/)

Communication standard: NFC 13,56 MHz Load modulation (ASK) ISO/IEC 14443A, no transmitter.

### FCC

#### **Chapter 1, Subpart A, Part 2 of Title 47 of the Code of Federal Regulations**

The conformity was assessed in accordance the following standard:

FCC - FCC Rule Part 15

**Note:** This equipment has been tested and found to comply with the limits for a Class B digital device, pursuant to part 15 of the FCC Rules. These limits are designed to provide reasonable protection against harmful interference in a residential installation. This equipment generates, uses and can radiate radio frequency energy and, if not installed and used in accordance with the instructions, may cause harmful interference to radio communications. However, there is no guarantee that interference will not occur in a particular installation. If this equipment does cause harmful interference to radio or television reception, which can be determined by turning the equipment off and on, the user is encouraged to try to correct the interference by one or more of the following measures:

- Reorient or relocate the receiving antenna.
- Increase the separation between the equipment and receiver.
- Connect the equipment into an outlet on a circuit different from that to which the receiver is connected.
- Consult the dealer or an experienced radio/TV technician for help.

### ISED

#### **Innovation, Science and Economic Development Canada (ISED)**

The conformity was assessed in accordance the following standard:

ISED - ICES 003, Issue 7: 2020 - class B



iLOQ S50  
Cam Lock Cylinder  
G50S.231  
G50S.241  
User Guide

**iLOQ**

[support.ilq.com](https://support.ilq.com)

Elektroniikkatie 10

90590 Oulu

Finland