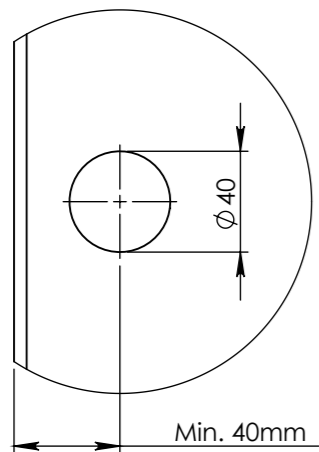
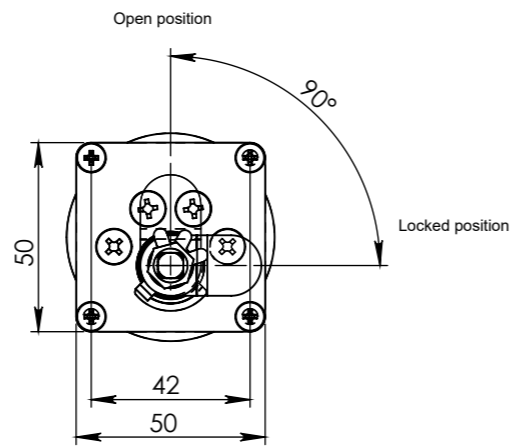
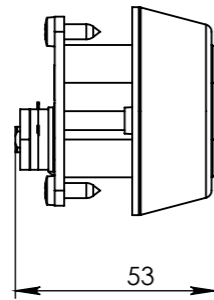
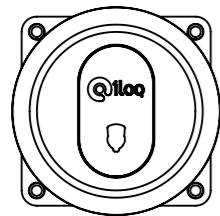
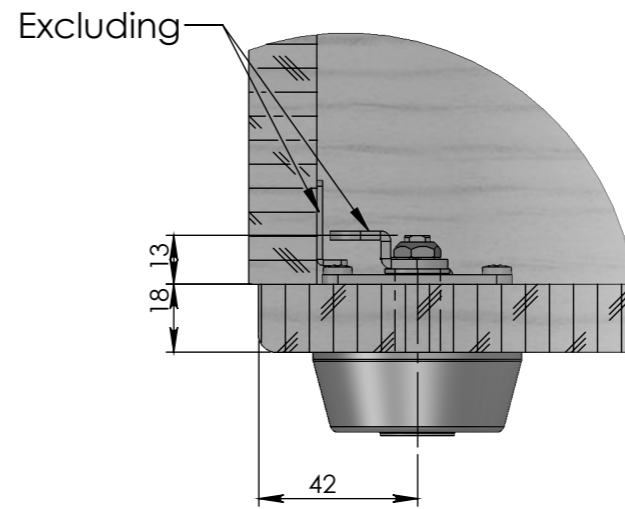
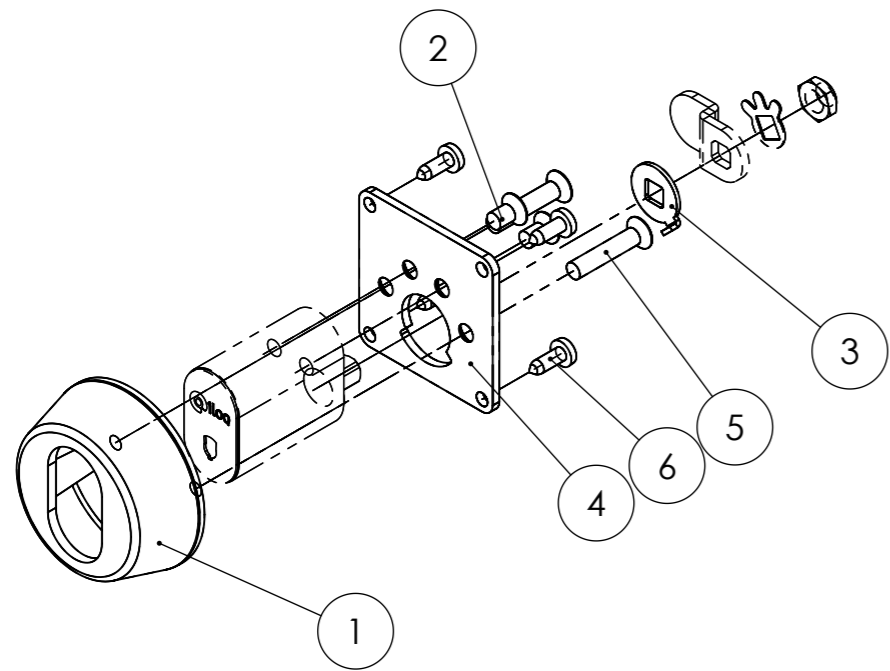


iLoq® and iLoq™ are registered trademarks of iLoq Oy. This document and its contents are the property of iLoq Oy and must not be copied, reproduced or disclosed to any third party without prior written permission. Contravention will be prosecuted.



DETAIL Door  
SCALE 1 : 3

6		Screw	Wurth art. no 196 4 12	4x12	4
5		Screw	DIN 965	M5x25	2
4		Mounting plate	-	PL2,50 50x50	1
3		Limiter plate	-	PL1,25 17x0,40	1
2		Screw	DIN 965 M5x8 PZ2	-	2
1		Round escutcheon, E10.AB2.ZC	Roca part no.	936022	1
Item		Description 1	Standard	Dimension	BOM/QTY.

Design: MAr 2.4.2009	Metric: mm	Size, std: - -	Tolerance:
Drawn: MAr 2.4.2009		Material: -	General tol. acc. ISO2768 - ?
Chec'd: - -		Finish: -	Geometric tol. symbols acc. ISO1101
Appr'd: - -	Size: A3	Color, texture: -	Surface rough. symbols acc. ISO1302
Part ref:		Mass:	kg
Product:		Title: Cam lock installation set	
Prod. call name		G1021.ZC	
Sheet: 1 / 1	www.iloq.com	All rights reserved. Copyright (C) 2006 iLoq Oy http://www.iLoq.com	Drawing number:
			Rev. H