

EUROPROFILE HALF CYLINDER HIGHSECURITY (D50S.111B.SD)

General

The patented, award winning iLOQ S50 locking system offers advanced security and convenient access sharing features for master-key locking environments.

The iLOQ D50S Europrofile cylinders harvest electricity wirelessly from the NFC field. This technology transforms a smartphone into a key and power source making the lock completely battery-free. Because no batteries are required, the locks are a maintenance-free and environmentally friendly green solution that reduces workload, costs, waste and harm associated with battery-powered solutions.

The iLOQ S50 doesn't have a keyway due to contactless NFC technology. The lock is designed for exposure to harsh environments and extreme climates, while remaining water-resistant and dustproof.

The first VDS class CZ+ certified electronic locking cylinder, specially designed for areas where a very high demand of attack resistance is necessary.

The cylinder body is 45 mm long. The cylinder length can be extended by 70 mm, in 5 mm steps, by using extension pieces. Modular extension solutions enable flexible stocking and easy length modifications on installation sites. The modular system also allows for different cylinder combinations: half-, knob- and double cylinders.

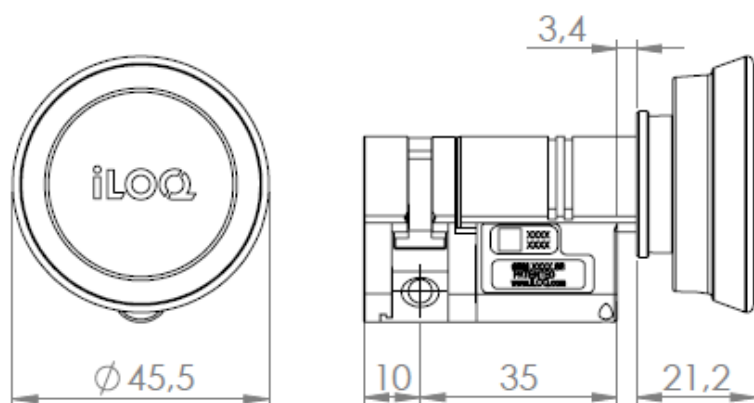
To meet the German VdS CZ+ requirements use D50S.XXXB cylinders.

iLOQ D50S.111B Europrofile half cylinder in brief

- Battery-free programmable electromechanical lock cylinder for iLOQ S50 locking system
- NFC-powered: no batteries required for the lock
- Opening with VDS certified iLOQ K55S.1 Key Fob
- Secured using powerful AES-256 encryption and mutual authentication
- As a part of the D2D network, it acts as an information receiver and data sharer
- Compatible with EN 15684, DIN 18252 standard
- Modular construction allows easy configuration for half-, double-, or turn-knob version and cylinder length adjustment
- Length extensions available in 5 mm steps up to 70 mm
- Initial programming with PC and iLOQ P55S.1 Programming Token in connection to server
- Access right list for access groups
- Blocklist for individual lost keys
- Internal audit trail record with time stamp (can be configured on/off)
- Supports time restrictions
- Re-programming with keys
- Firmware updateable

Product versions

D50S.111B



D50S.111B.SD High security Europrofile half cylinder with
 short reader. VDS CZ+ certified

Memory capacity

Number of access rights.....	210
Number of blocklisted keys	500 per zone
Number of time profiles	10
Event log.....	At least 500

Technical data (designed to meet following requirements)

Lock body	Stainless steel, satin finish
Reader knob.....	Black plastic
Category of use: EN15684 (Grades 0-1)	Grade 1
Durability: EN15684 (Grades 4-6)	Grade 6, 100 000 cycles
Durability: VDS 2156-2	200 000 cycles
Fire/ smoke resistance: EN15684 (Grades 0-B)	Grade B
Environmental resistance: EN15684 (Grades 0-4)	Grade 4
Electronic key related security: EN15684 (Grades 0-D).....	Grade D
System management: EN15684 (Grades 0-3).....	Grade 3
Attack resistance: EN15684 (Grades 0-D).....	Grade D
Temperature range	-25°C to +65°C
Ingress protection rating	IP55
Impact protection: EN 62262	IK08
Test certificates	EN 15684, VDS CZ+