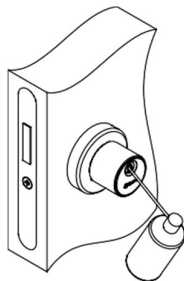


# iLOQ D10S.XXX.SB (V.10) LOCK CYLINDER MOUNTING AND CARE INSTRUCTIONS

## BEFORE INSTALLING

1. These instructions should be carefully followed during installation.
2. These instructions should be passed on by the installer to the user.
3. iLOQ D10S cylinder must be installed effortlessly without the use of excessive force.
4. If cylinder length adjustment is needed, use iLOQ A10.Ex.x extension piece.
5. The product should not be modified in any way except in accordance with those modifications described in these instructions.
6. The installer of the iLOQ lock cylinder must be authorized by iLOQ.
7. It is recommended to use tools from iLOQ tool set T009/T010.
8. Please do not widen or bend the adapters, otherwise a tight fit of the adapters cannot be guaranteed.

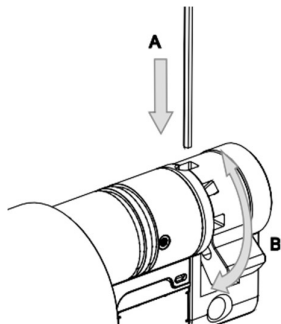
## CARE



After 10 000 usages, clean contact rolls lightly with lint-free cotton pad. Spray small amount of high-quality lock oil i.e. CRC lock oil (with PTFE) onto contact rolls.

## INSTALLATION DER iLOQ D10X.1XX SERIE

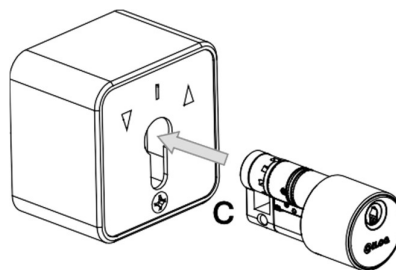
1



**A.** Adjust the cam position if necessary by pushing the locking pin for example with a TORX 6 tool from the iLOQ tool set.

**B.** Rotate the cam to the new position. Ensure that the new position is locked and secured.

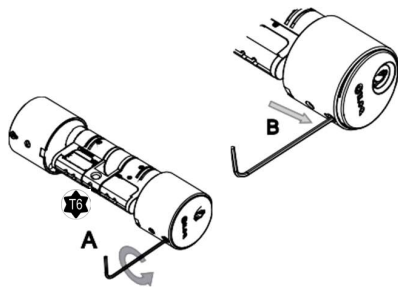
2



**C.** Fix the cylinder into a key switch according to the key switch manufacturer's instructions.

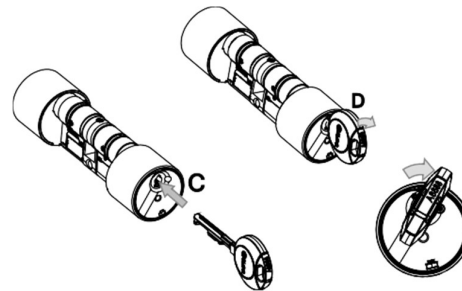
## INSTALLATION OF iLOQ D10S.2XX SERIES

1



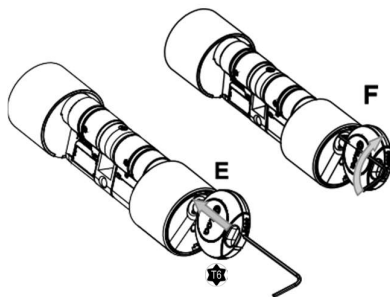
- A. Remove the screw using TORX 6 tool.
- B. Remove the front plate by sliding from screw hole using TORX 6 tool.

2



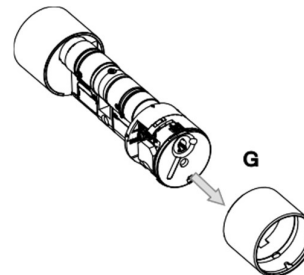
- C. Insert authorized key into the cylinder
- D. Turn authorized key 30° clockwise.

3



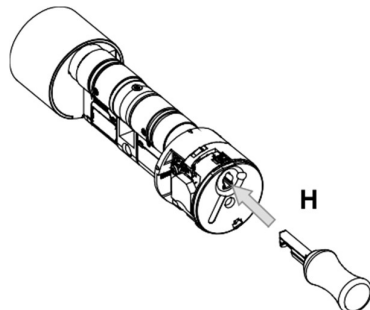
- E. Insert TORX 6 tool into the hole shown.
- F. Turn TORX 6 tool ~90° to clockwise.

4



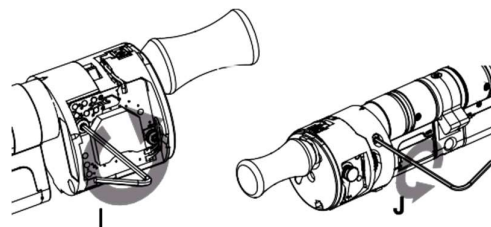
- G. Remove knob cover.

5



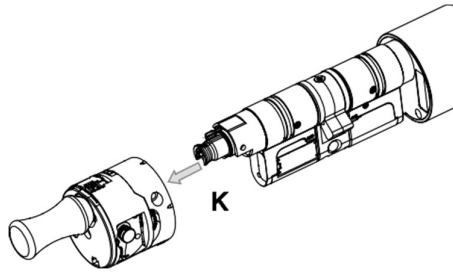
- H. Insert the knob assembly key.

6



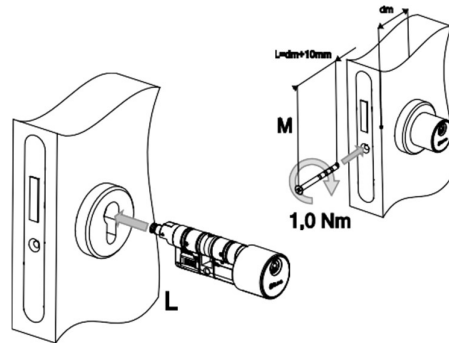
- I. Remove screws both sides using TORX 6 tool.

7



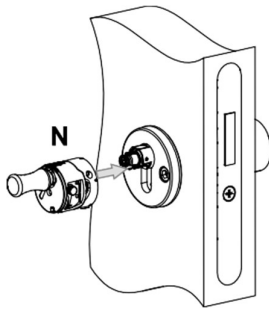
**K.** Remove knob carefully.

8



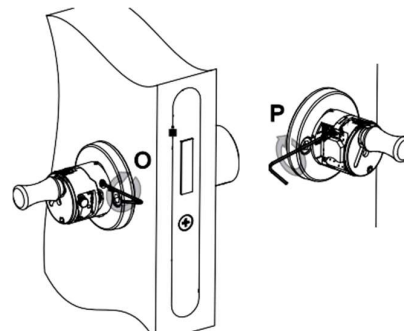
**L.** Slide lock cylinder through the lock case.  
**M.** Fix cylinder into lock case by ILOQ screw A10.64. If necessary, cut the screw. Use tightening torque 0.9...1.1 Nm.

9



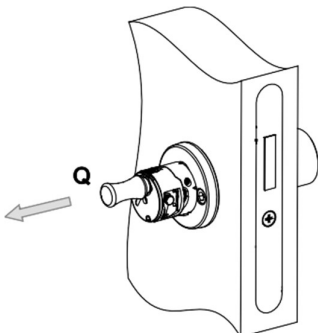
**N.** Assemble knob into frame.

10



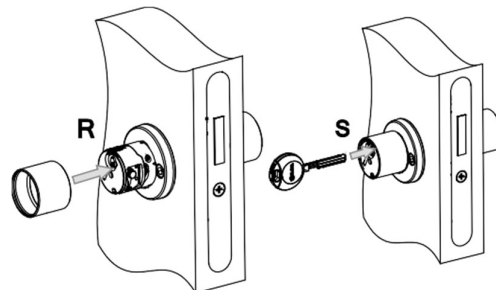
**O.** Mount with screw. Use tightening torque 0.15 ... 0.2 Nm.  
**P.** Do the same things like in section O to another screw.

11



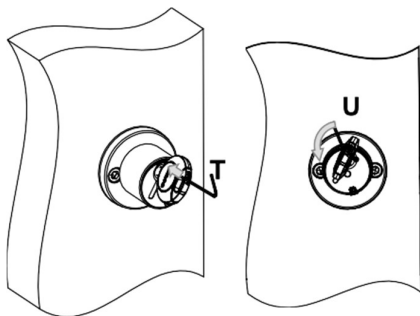
**Q** Remove knob assembly key.

12



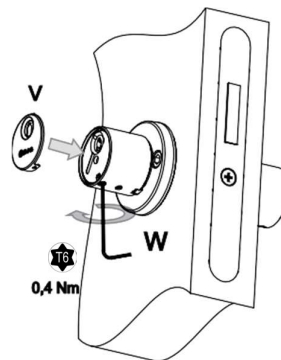
**R.** Insert knob cover.  
**S.** Insert authorized key into cylinder inner side and turn  $\sim 30^\circ$ .

13



T. Insert TORX 6 into cover hole.  
U. Turn screw ~ 90° counterclockwise by TORX 6 tool.

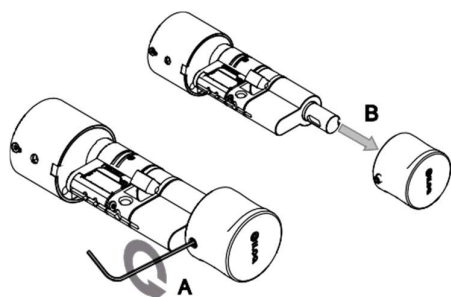
14



V. Insert front plate.  
W. Tighten screw. Use tightening torque 0.35...0.45Nm.

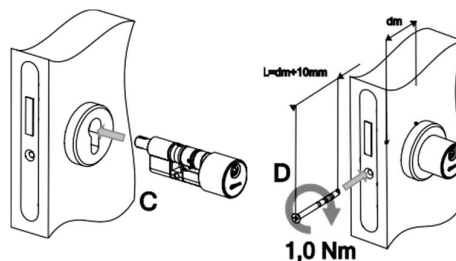
## INSTALLATION OF iLOQ D10S.3XX SERIES

1



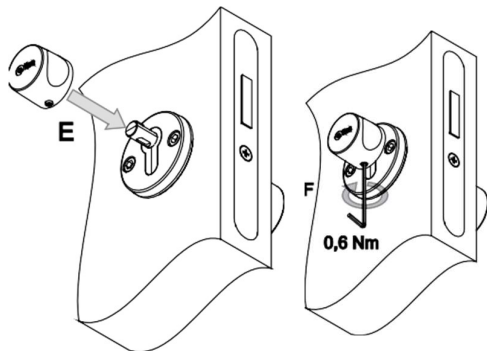
A. Loosen screw from turning knob by 2 mm allen key from iLOQ tool set T009.  
B. Remove turning knob.

2



C. Slide lock cylinder through the lock case.  
D. Fix cylinder into lock case by iLOQ fixing screw A10.64. If necessary, cut the screw. Use tightening torque 0.9 ... 1.1 Nm.

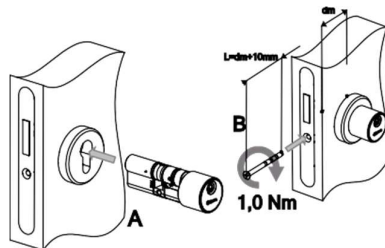
3



E. Put turning knob in place.  
F. Tighten screw. Use tightening torque 0.55 ...0.65 Nm.

## INSTALLATION OF iLOQ D10S.4XX SERIES

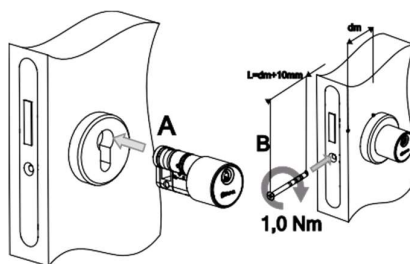
1



- A. Slide lock cylinder through the lock case.
- B. Fix cylinder into lock case by iLOQ fixing screw A10.64. If necessary, cut the screw. Use tightening torque 0.9 ...1.1 Nm.

## INSTALLATION OF iLOQ D10S.5XX SERIES

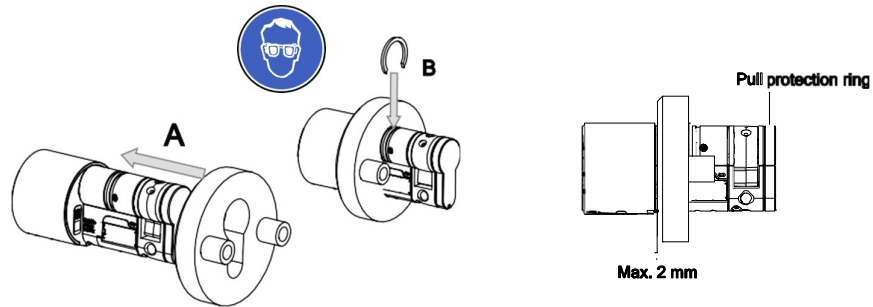
1



- A. Slide lock cylinder through the lock case.
- B. Fix cylinder into lock case by iLOQ fixing screw A10.64. If necessary cut the screw. Use tightening torque 0.9. 1.1 Nm.

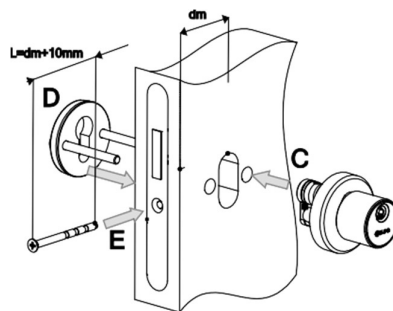
## INSTALLATION OF THE PULL PROTECTION RING

1



- A. Slide the escutcheon against the knob.
- B. Push the pull protection ring with a pliers onto the groove so that max. gap between escutcheon and knob is 2 mm. Wear safety glasses.

2



- C. Slide lock cylinder through the lock case.
- D. Fix escutcheon.
- E. Fix lock into lock case by iLOQ fixing screw A10.64. If necessary, cut the screw. Use tightening torque 0.9...1.1 Nm. Fix escutcheons.

## GENERAL NOTES

1. Before fitting the cylinder to a fire/smoke resisting door, the fire certification should be examined to ensure conformity. Consult iLOQ sales representative for correct configuration.
2. Before fitting the cylinder to a panic/emergency exit door, the certification should be examined to ensure conformity. Consult iLOQ sales representative for correct configuration.
3. It is only allowed to install the knob (D10S.300) inside panic mortise locks which don't need a specific cam position, please also refer to the lock manufacturer's documentation resp. declaration of conformity.
4. Care should be taken to ensure that any seals or weather-stripping fitted to the complete door assembly, does not inhibit the correct operations of the cylinder.
5. Care should be taken to ensure that no projection of the cylinder and associated parts, can prevent the door swinging freely.
6. All components necessary for the specific installation should be fitted.
7. The key is to be kept securely so that only authorized person may have access.
8. In case of losing a key, blacklisting of the lost key shall be done with the iLOQ S10 manager software and affected locks shall be reprogrammed.
9. Especially in industrial areas or near the sea, can cause deposits in the form of rust and attacked the material. This equipment should be cleaned and maintained frequently.
10. In case of problems with functionality please check following points:
  - Check, if the locking cylinder is damaged.
  - Check, if foreign particles are present in keyway.
  - A defective mortise lock.
  - Incorrectly mounted locking plates.
  - A warped door etc.