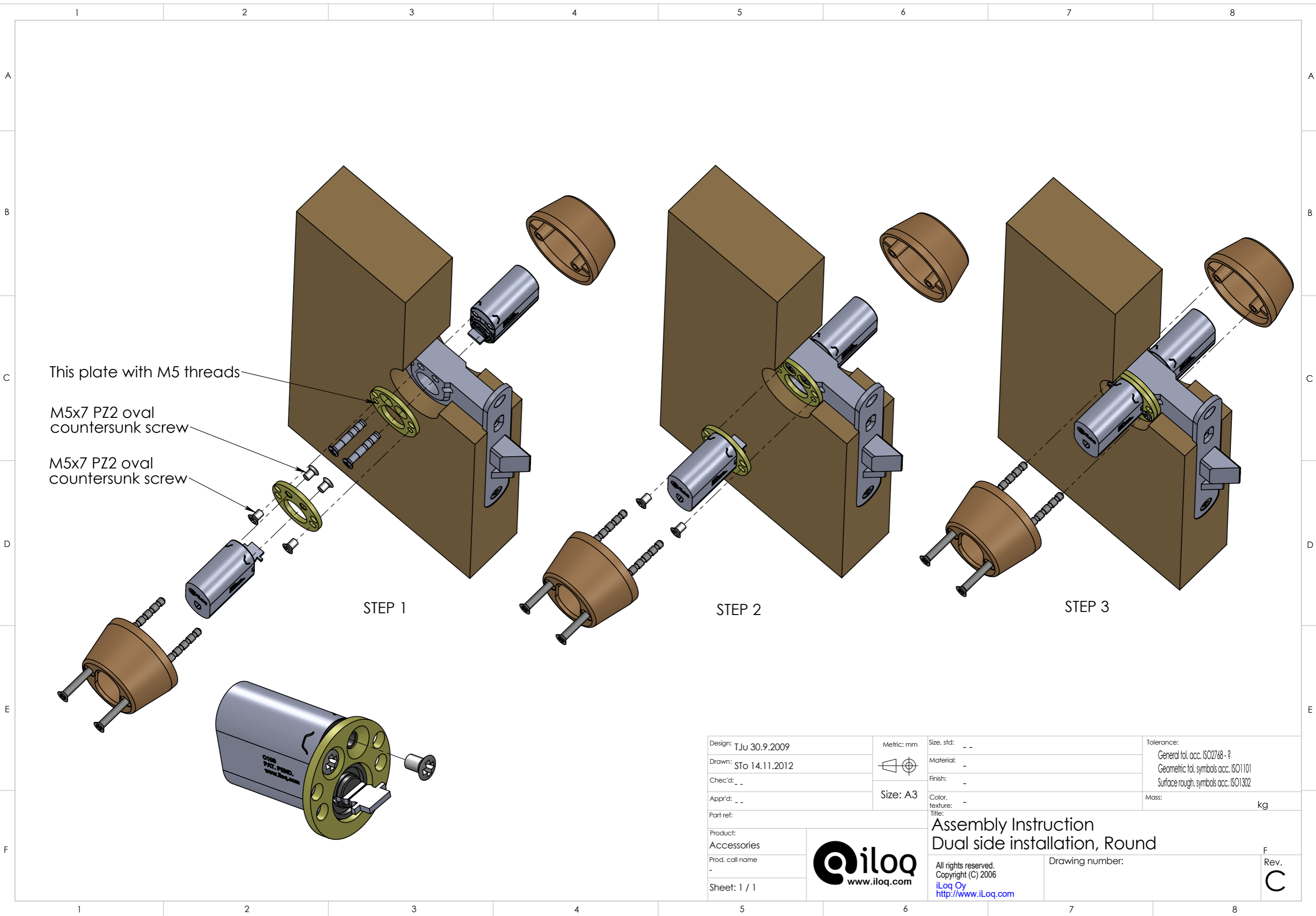


iLoq® and iLoq™ are registered trademarks of iLoq Oy. This document and its contents are the property of iLoq Oy and must not be copied, reproduced or disclosed to any third party without prior written permission. Contravention will be prosecuted.

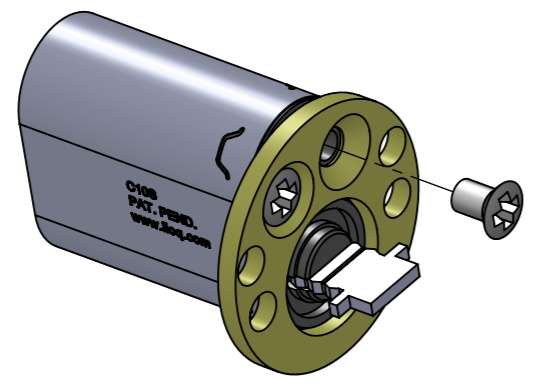


This plate with M5 threads  
M5x7 PZ2 oval countersunk screw  
M5x7 PZ2 oval countersunk screw

STEP 1

STEP 2

STEP 3



Design: TJu 30.9.2009	Metric: mm	Size, std: --	Tolerance:	
Drawn: STo 14.11.2012		Material: -	General tol. acc. ISO2768 - ?	
Chec'd: _ _	Size: A3	Finish: -	Geometric tol. symbols acc. ISO1101	
Appr'd: _ _		Color, texture: -	Surface rough. symbols acc. ISO1302	
Part ref:			Mass: kg	
Product: Accessories	 <a href="http://www.iLoq.com">www.iLoq.com</a>		<b>Assembly Instruction</b> <b>Dual side installation, Round</b>	
Prod. call name			Drawing number:	
Sheet: 1 / 1	All rights reserved. Copyright (C) 2006 iLoq Oy <a href="http://www.iLoq.com">http://www.iLoq.com</a>		Rev. <b>C</b>	