

K10S.4 Key

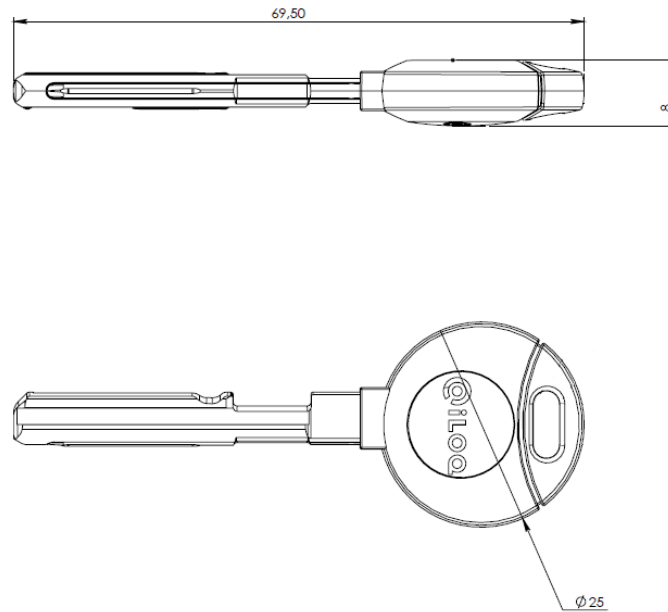
System-level description

The award winning iLOQ S10 locking system offers advanced security and convenient access management for master-key locking environments. The unique, patented, self-powered iLOQ S10 lock cylinder is powered by harvesting electricity from inserting of the iLOQ K10S key. Being self-powered, the iLOQ S10 cylinder eliminates work, costs, wastes and harms associated with battery powered or cabled solutions. As no batteries and no electric wiring are required, the cylinders and keys are easy to install and maintain, and it is an environmentally friendly "green" solution. The communication between the cylinder and the key is strongly encrypted using standardized powerful SHA-1 encryption methods.

Feature summary

- Battery-free digital key for iLOQ S10 locking system
- Key body made of stainless steel
- Can stand harsh environments, dropping and moisture
- All iLOQ K10S keys are mechanically identical
- Secured using SHA-1 cryptographic engine, 64 bit unique secret
- Access rights/groups programmed at handover
- Programmed on iLOQ Manager -software with Programming device and system specific Token
- Reprogrammed with Programming device or remotely via Key Programming Hot Spot
- Emptied upon return, may be reused, for instance in another locking system
- Laser stamped one letter and four digit random number
- Each key has unique identifier and can be individually blacklisted
- Each key can have own individual time limitation:
 - 2 weekly calendars or
 - 1 weekly calendar and key start date & time or
 - 1 weekly calendar and key expiry date & time or
 - key start date & time and key expiry date & time
- Key can be used for carrying lost key information to the lock cylinders (pre-blacklisting task)
- Key can be used for carrying new access right -version information to the lock cylinders

Dimensional drawing



Memory capacity

| | |
|---|------|
| Number of access rights | 14 |
| Number of simultaneous pre-blocklisting tasks | 1 |
| Number of time limitations | 10 |
| Number of access rights with version-data | 1+13 |
| Number of access rights with version-data and time limitation | 1+8 |

Technical data

| | |
|---------------------------------|----------|
| Changeable color marker | X |
| Color | Black |
| Ingress protection rating | IP67 |
| RFID | X |
| Maximum temperature | 70°C |
| Minimum temperature | -40°C |