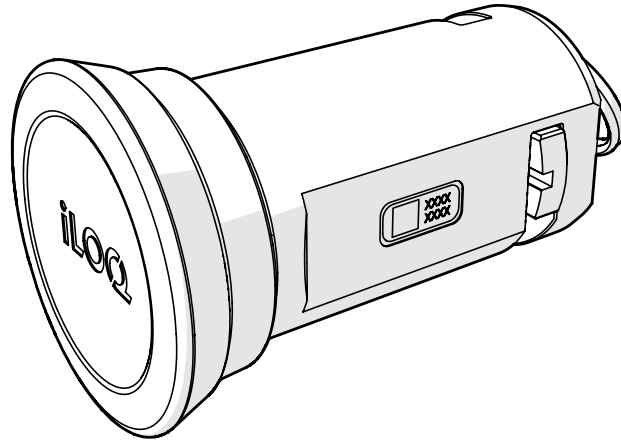




iLOQ S50  
Key Tube Cylinder  
F50S.2x1.HZ  
F50S.3x1.HZ/SD  
F50S.4x1.HZ/SD  
F50S.5x1.HZ/SD  
F50S.611.SB  
User Guide



10/2023  
Rev 1.1

Document ID  
270443



**iLOQ Oy**  
[support.iloq.com](https://support.iloq.com)

# Contents

1.	Safety Information.....	3
1.1	Safety signs .....	3
2.	Overview .....	3
3.	Care and Maintenance .....	3
4.	Installation of the iLOQ F50S Key Tube Lock Cylinder .....	4
4.1	Compatible Key Tubes.....	4
5.	Replacing the Reader Knob .....	5
6.	After installation .....	6
7.	Instructions for use.....	6
7.1	Open the key tube.....	7
7.2	Lock the key tube .....	8
8.	Disposal of Decommissioned Products .....	9
9.	Compliance .....	10

# 1. Safety Information

## 1.1 Safety signs

Sign	Description
	General notice sign. Indicates particularly important information about the installation and deployment.
	Read these instructions carefully before using products. This information is to ensure your safety and long lifetime of the products.

## 2. Overview

The iLOQ F50S Key Tube Lock Cylinders are battery-free programmable electromechanical key tube lock cylinders for the iLOQ S50 locking system.

Two different Reader Knob lengths are available, short and long. In the product code (e.g. F50S.2x1.HZ), replace "x" with 1 = short reader or 2 = long reader.

## 3. Care and Maintenance

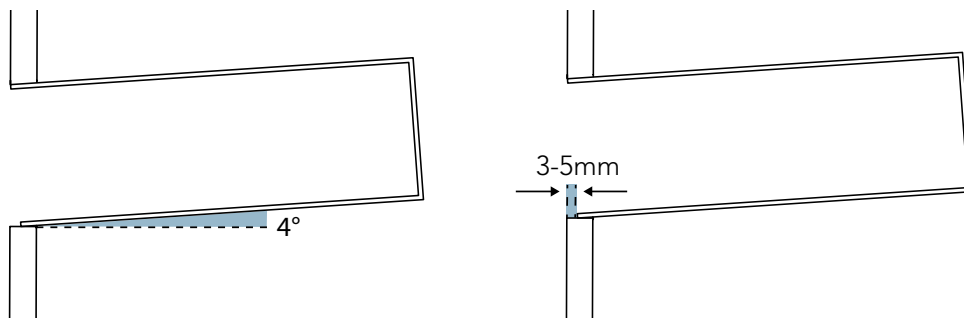
- The instructions should be carefully followed during installation and use. These instructions and any maintenance instructions should be passed on by the installer to the user.
- The iLOQ F50S Key Tube Lock Cylinders must be installed and used carefully without excessive force.
- Do not drop the product.
- The product should not be modified in any way except in accordance with the modifications described in these instructions.
- Due to the integrated spring operated locking bolt the F50S Key Tube Lock Cylinder is self-locking, use with care.
- The product is designed to be maintenance-free. It does not require any regular maintenance.

## 4. Installation of the iLOQ F50S Key Tube Lock Cylinder

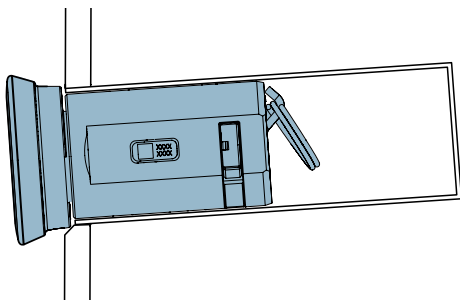
To conform with local requirements, use locally approved key tubes (please note: the key tube is not included in delivery).

Mount the key tube according to the tube manufacturer's instructions. To ensure reliable operation of the F50S Key Tube Lock Cylinder make sure that the tube is at a 4 degree angle to prevent water pooling inside and the key tube is mounted max. 5mm inside the wall surface.

In case an existing key tube is mounted too deep inside the wall and the F50S Key Tube Lock Cylinder cannot be placed in the key tube, it is possible to replace the Reader Knob with a longer version. (See Section 6 for replacing the Reader Knob).



See the correct positioning of the F50S Key Tube Lock Cylinder inside the tube from the following image



### 4.1 Compatible Key Tubes

The following key tubes are compatible with F50S Key Tube Lock Cylinder:

Product:	Diameter:	Key Tube:
• F50S.2x1.HZ	• 45 mm	• AssaAbloy 390877-100-055
• F50S.3x1.HZ	• 38 mm	• Kruse 530000, 530010, 530002
• F50S.4x1.HZ	• 65 mm	• AssaAbloy KD209, KD210
• F50S.5x1.HZ	• 38 mm	• AssaAbloy KD201, KD201X, KD205, KD207
• F50.611.SB	• 78 mm	• Assa Mini Safe 9M37

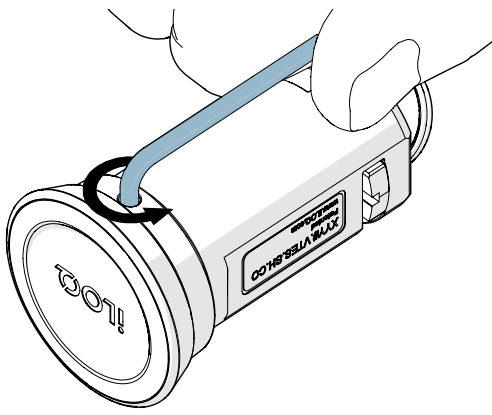
Please verify the compatibility of the key tubes beforehand.

## 5. Replacing the Reader Knob

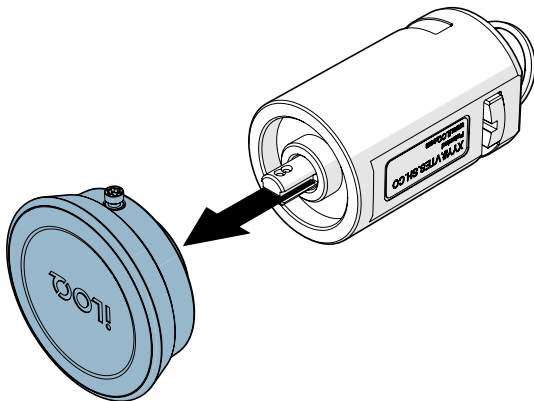
The Reader Knob may need to be replaced if the length of the original knob is not suitable for the installation environment or the knob is damaged.

Product:	Order code:
<ul style="list-style-type: none"><li>• Reader for Key Tube Cylinder, Short</li></ul>	<ul style="list-style-type: none"><li>• AF50.1</li></ul>
<ul style="list-style-type: none"><li>• Reader for Key Tube Cylinder, Long</li></ul>	<ul style="list-style-type: none"><li>• AF50.2</li></ul>

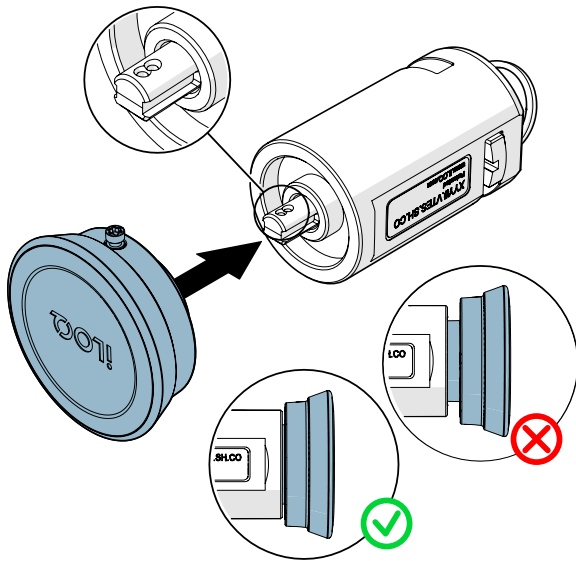
1. Loosen the screw on the Reader Knob. Use a T10 (torx) tool.



2. Pull the Reader Knob off the neck.

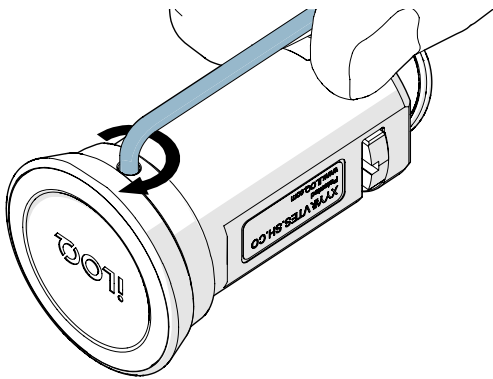


- Slide the new Reader Knob onto the neck so that the screw hole is facing the same direction as the two knob adjustment slots in the neck.



**Make sure the gap between the Reader Knob and the body of the lock cylinder is approx. 1 mm. If not, the weather protection sealings will not function correctly.**

- Tighten the screw to a torque of 1.5 Nm. Use a T10 (torx) tool.



**Make sure that the head of the screw goes into the hole completely. If head of the screw is visible it indicates that the screw is not fully inserted.**

## 6. After installation

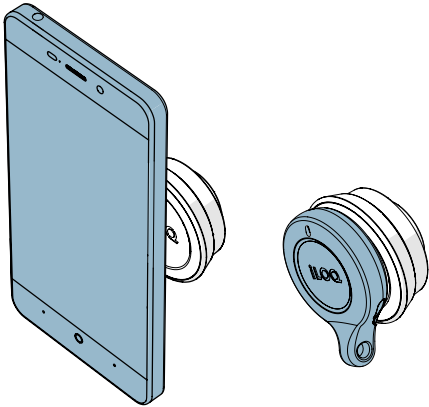
Make sure that you have installed all components necessary for the specific installation. Open and close the F50S Key Tube Lock Cylinder to test the cylinder functionality after installation.

## 7. Instructions for use

The F50S Key Tube Lock Cylinder needs to be initially programmed with a PC and an iLOQ P55S.1 Programming Key. See separate instructions for programming from the P55S.1 Programming Key user guide.

## 7.1 Open the key tube

1. Hold a valid key against the lock Reader Knob and wait until the key shows a green light.

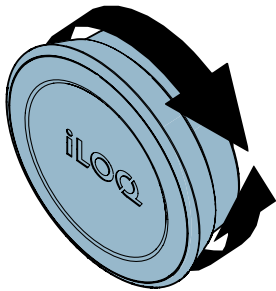


**Note!** Due to large variety of NFC enabled phone models and operating system versions, iLOQ cannot guarantee that all NFC-enabled phones will work seamlessly with our locks.



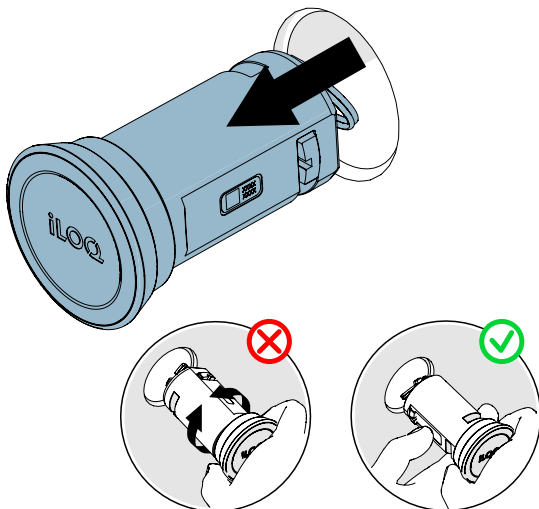
**Before using the locks, please check the location of the NFC antenna in your phone to know the best position to hold the phone against the Reader Knob.**

2. Turn the Reader Knob to unlock the F50S Key Tube Lock Cylinder.



**After 5 to 15 seconds, the cylinder will automatically be locked. When the cylinder is locked, the iLOQ Reader Knob cannot be rotated.**

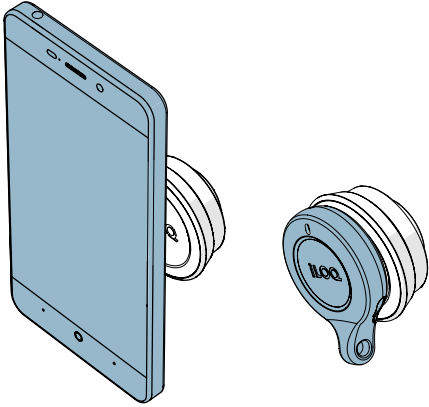
3. Pull out the F50S Key Tube Lock Cylinder with both hands to prevent the lock cylinder from rotating uncontrollably.



**Due to the spring operated locking bolt the cylinder is self-locking. Before removing the cylinder completely from the key tube, take hold of the cylinder body with your other hand to prevent it rotating uncontrollably. Turn the Reader Knob to the neutral position in a controlled manner when completely removed.**

## 7.2 Lock the key tube

1. Hold a valid key against the lock Reader Knob and wait until the key shows a green light.

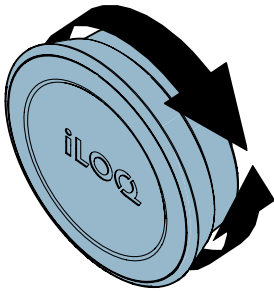


**Note!** Due to large variety of NFC enabled phone models and operating system versions, iLOQ cannot guarantee that all NFC-enabled phones will work seamlessly with our locks.

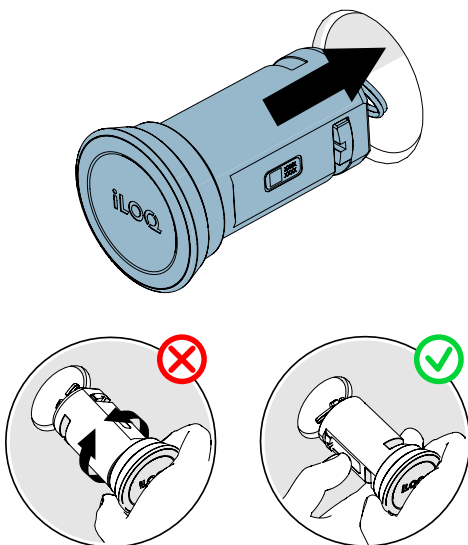


**Before using the locks, please check the location of the NFC antenna in your phone to know the best position to hold the phone against the Reader Knob.**

2. Turn the Reader Knob to unlock the F50S Key Tube Lock Cylinder.



3. Insert F50S Key Tube Lock Cylinder into the key tube.



**After inserting the cylinder completely back into the key tube, turn the knob back to the neutral position with your hand in a controlled manner.**



## 8. Disposal of Decommissioned Products



Never discard an electrical appliance in household waste. Follow the local laws and regulations for safe and environmentally friendly product disposal.



Before discarding products, bear in mind that most iLOQ products are **reusable**. All programmable products can be reset to factory settings, after which they can be reused in another system.

Recycling instructions of decommissioned products are depicted below.

Decommissioned product	Sorting
Decommissioned iLOQ fittings, mounting accessories and thumb turn knobs can be recycled as scrap metal.	
Decommissioned iLOQ products containing electronics and circuit boards, such as iLOQ Lock Cylinders, keys, net bridges, door modules, key and RFID readers, and relay cards, must be recycled at an electrical and electronic equipment collection point.	
iLOQ products containing batteries and accumulators, such as key fobs, programming keys and clock circuits, should be recycled at a regional collection point for batteries and small accumulators.	
Most iLOQ packaging materials are suitable for cardboard and plastic recycling.	

## 9. Compliance

The products mentioned inside this user guide are in conformity with the requirements of the directives declared on this page.

### CE

#### **SIMPLIFIED EU DECLARATION OF CONFORMITY:**

Hereby, iLOQ Oy declares that the radio equipment type F50S Key Tube Lock Cylinders are in compliance with Directive 2014/53/EU. The full text of the EU declaration of conformity is available at the following internet address: [www.iloo.com/en/declaration-of-compliance/](http://www.iloo.com/en/declaration-of-compliance/)

Communication standard: NFC 13,56 MHz Load modulation (ASK) ISO/IEC 14443A, no transmitter.

### FCC

#### **Chapter 1, Subpart A, Part 2 of Title 47 of the Code of Federal Regulations**

The conformity was assessed in accordance the following standard:

FCC - FCC Rule Part 15

**Note:** This equipment has been tested and found to comply with the limits for a Class B digital device, pursuant to part 15 of the FCC Rules. These limits are designed to provide reasonable protection against harmful interference in a residential installation. This equipment generates, uses and can radiate radio frequency energy and, if not installed and used in accordance with the instructions, may cause harmful interference to radio communications. However, there is no guarantee that interference will not occur in a particular installation. If this equipment does cause harmful interference to radio or television reception, which can be determined by turning the equipment off and on, the user is encouraged to try to correct the interference by one or more of the following measures:

- Reorient or relocate the receiving antenna.
- Increase the separation between the equipment and receiver.
- Connect the equipment into an outlet on a circuit different from that to which the receiver is connected.
- Consult the dealer or an experienced radio/TV technician for help.

### ISED

#### **Innovation, Science and Economic Development Canada (ISED)**

The conformity was assessed in accordance the following standard:

ISED - ICES 003, Issue 7: 2020 - class B



iLOQ S50  
Key Tube Cylinder  
F50S.2x1.HZ  
F50S.3x1.HZ/SD  
F50S.4x1.HZ/SD  
F50S.5x1.HZ/SD  
F50S.611.SB  
User Guide

**iLOQ**

[support.ilq.com](http://support.ilq.com)

Elektroniikkatie 10

90590 Oulu

Finland