

D5S.5X0.SB

**EUROPROFILE HALF CYLINDER
WITH ADJUSTABLE CAM
MOUNTING AND CARE INSTRUCTIONS
USER GUIDE**

TABLE OF CONTENTS

1.	BEFORE INSTALLING	3
2.	AFTER INSTALLATION.....	3
3.	CARE	3
4.	INSTALLATION OF ILOQ D5S.5X0 SERIES.....	4
5.	REMOVING AND INSTALLING THE OUTSIDE KNOB	5
6.	CAM ADJUSTMENT	6
7.	GENERAL NOTES.....	7

1. BEFORE INSTALLING

1. These instructions should be carefully followed during installation. These instructions and any maintenance instructions should be passed on by the installer to the user.
2. iLOQ D5S cylinders must be installed and used carefully without excessive force.
3. The product should not be modified in any way except in accordance with the modifications described in these instructions.
4. Care should be taken to ensure that any seals or weather-stripping fitted to the complete door assembly, does not inhibit the correct operations of D5S cylinder.
5. Care should be taken to ensure that no projection of the D5S cylinder and associated parts, can prevent the door swinging freely.
6. All components necessary for the specific installation should be fitted in order to ensure compliance with EN 15684 standard.
7. The cylinder must project less than 1 mm on outside of the door to ensure proper operation.
8. No liability is accepted for damage to the doors or components due to incorrect installation.
9. Before fitting D5S cylinder to a fire/smoke resisting door, the fire certification should be examined, to ensure conformity.
10. D5S.5x0 cylinder is only available in one length with 30/10 mm.
11. This type of cylinder is developed for the use inside key switches which are prepared for DIN half cylinder with a length of 30-10 mm. Do not use the cylinder for other purposes resp. use cases.
12. The cylinder has an operating angle of +/- 90° around the neutral (default) position, do not try to overturn the cam.
13. The cam is spring supported, please use with care.
14. If there are any deviations from the contents in foreign language versions of the documentation, the English original shall apply in case of doubt.
15. We reserve the right to make modifications or further technical developments without further notice.

2. AFTER INSTALLATION

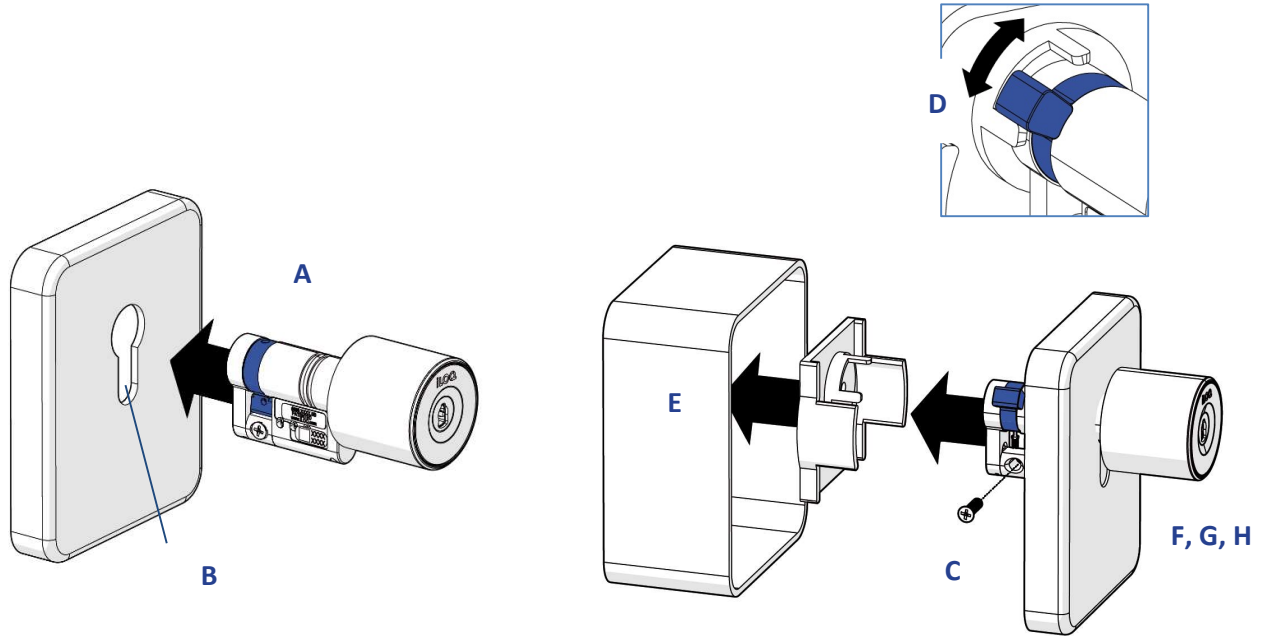
Test the cylinder functionality after installation to ensure that it does not prevent the key switch from working properly.

3. CARE

After 5-10,000 usages, clean contact rolls lightly with lint-free cotton pad. Spray small amount of high-quality lock oil i.e. CRC lock oil (with PTFE) onto contact rolls.

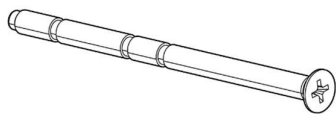
In the case the cylinder is not working in an appropriate way anymore, we recommend cleaning the cylinder with e.g. compressed air spray or similar.

4. INSTALLATION OF ILOQ D5S.5X0 SERIES



Please note that the below displayed key switch act only as a demonstrator to get an idea how to install the cylinder. Different key switches are available in the market, for additional (installation) information please see also the documentation from the key switch manufacturer.

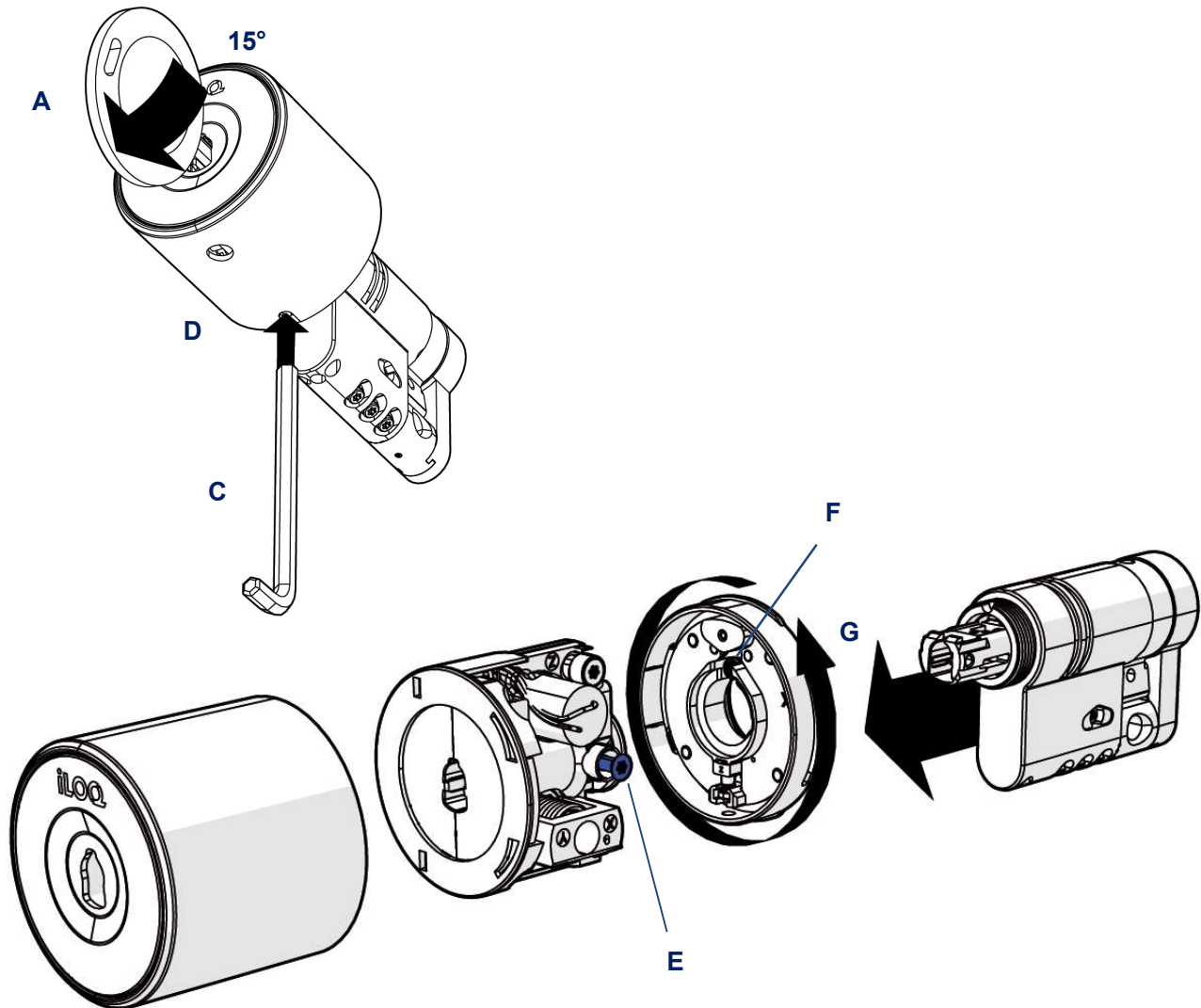
- A. Ensure the cam is pointing downwards, otherwise see chapter 6. CAM ADJUSTMENT.
- B. Slide the lock cylinder through the key front plate (and cover if applicable).
- C. Fix the cylinder into the front plate by using an iLOQ fixing screw A10.64 or with the screw shipped with the key switch. If necessary, cut the screw. Use a tightening torque of 0.9...1.1 Nm.



- D. Adjust the cam to the correct position (in a way that the cam can operate the switches after engaging and turning the knob (but without touching the switch) and will block the adapter inside the key switch).
- E. Check if the switch is in place and secured, and then move the cylinder with the front plate back inside the switch and the housing.
- F. Insert a key (with access rights) into the cylinder and turn the key, to test if the combination is working properly.
- G. Turn the key back to the default position and pull the key out of the cylinder
- H. Fix the front plate/cover with the screw / the screws.

5. REMOVING AND INSTALLING THE OUTSIDE KNOB

In some installation locations it is necessary to remove the outside knob from the lock cylinder. Follow these instructions to remove the knob. Re-installing with the same instructions in the opposite order. Be careful when inserting knob not to break the connections on the cylinder. The removal of the knob is only possible for people who have access rights for the cylinder.



- A. Insert a key with access into the lock cylinder. Turn the key about 15 degrees clockwise.
- B. By turning the key, the blocker hatch will open automatically at the bottom of the outside knob. The hatch protects the fixing screw for unauthorized access.
- C. Use Torx 6 tool to open the screw that holds cover cup, turn the Torx tool counterclockwise.
- D. Remove the cover cup.
- E. Remove the side screw and carefully detach the knob with the PCB.
- F. Remove the back-plate screw with a Torx 6 tool (not necessary to screw them completely out).
- G. Remove the backplate by rotating it counterclockwise.

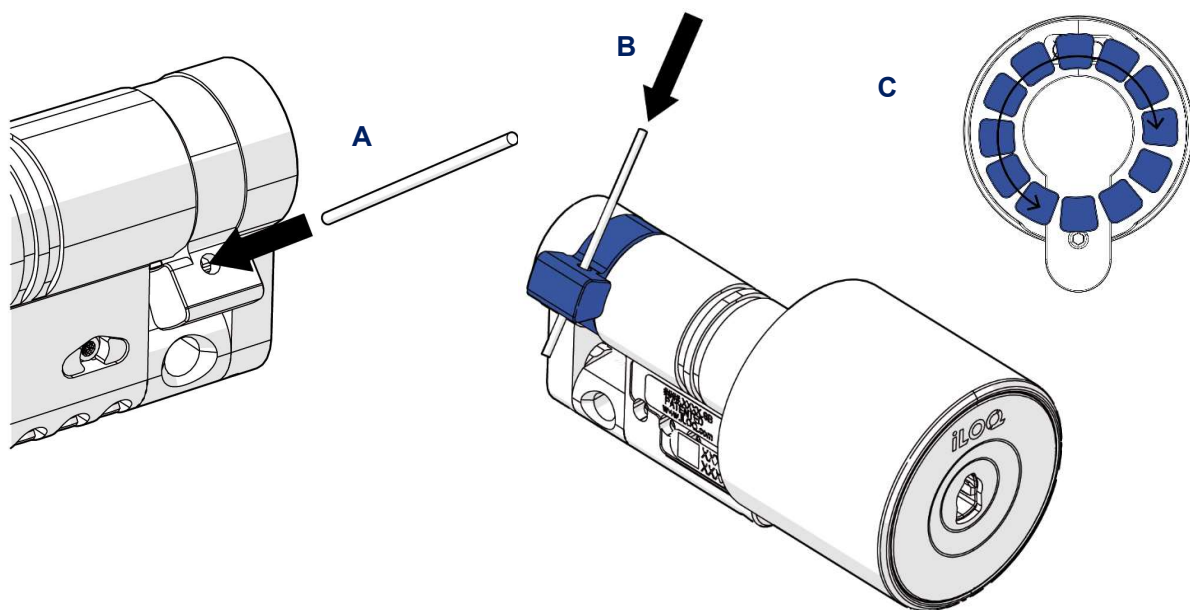
6. CAM ADJUSTMENT

The cam of the cylinder can easily be adjusted to 12 symmetric positions around the 360° (see right picture below), thus it is possible to change the default position of the cam (which is not necessarily the DIN default position).

Due to that functionality, the cylinder is prepared for use in e.g. key switches, where the default position is often at the 11 or 12 o'clock position.

To change the position please do the following steps:

- A. From the side of the cam there is a small hole visible.
- B. Stick carefully a needle (dimension: \varnothing 2 mm with a sharp end) or similar inside the hole to release the mechanism.
- C. After the release of the mechanism, it is possible to move the cam freely to the necessary position.
- D. Take the needle out and check if the cam is locked in place.



7. GENERAL NOTES

1. Before fitting the cylinder to a fire/smoke resisting door, the fire certification should be examined to ensure conformity. Consult iLOQ sales representative for correct configuration.
2. The iLOQ cylinders are successfully tested according the EN 1634-1 (EUF129-19003368) for 120 minutes in a hinged single leaf steel door.
3. This type of cylinder is developed for the use inside key switches which are prepared for DIN half cylinder. Do not use the cylinder for other purposes resp. use cases.
4. Care should be taken to ensure that any seals or weather-stripping fitted to the complete door assembly, does not inhibit the correct operations of the cylinder.
5. Care should be taken to ensure that no projection of the cylinder and associated parts, can prevent the door swinging freely.
6. All components necessary for the specific installation should be fitted.
7. The key is to be kept securely so that only authorized person may have access.
8. In case of losing a key, blacklisting of the lost key shall be done with the iLOQ Manager software and affected locks shall be reprogrammed.
9. Especially in industrial areas or near the sea, impurities can cause deposits in the form of rust and attacked the material. This equipment should be cleaned and maintained frequently.
10. Cylinder will lock, for security reasons, itself after 10 seconds, the key can then be removed by turning it back to the 12 o'clock position (either clockwise or anti-clockwise).
11. The cylinder has an operating angle of +/- 90° around the neutral position, do not try to overturn the cam.
12. In case of problems with functionality please check following points:
 - Check, if the locking cylinder is damaged.
 - Check, if foreign particles are present in keyway.
 - A wrongly located cylinder within the lock case due to incorrectly mounted furniture.
 - A defective mortise lock.
 - Incorrectly mounted locking plates.
 - A warped door etc.