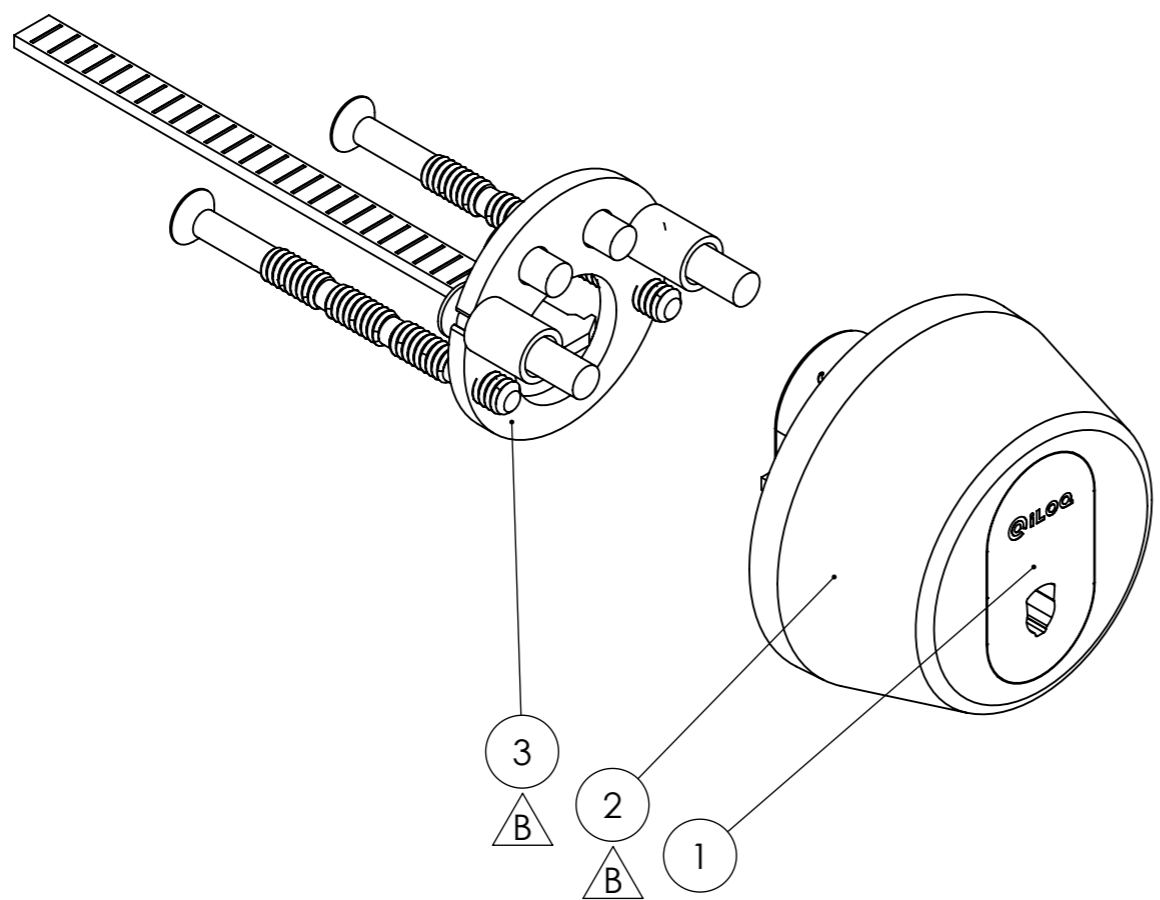


iLoq® and iLoq™ are registered trademarks of iLoq Oy. This document and its contents are the property of iLoq Oy and must not be copied, reproduced or disclosed to any third party without prior written permission. Contravention will be prosecuted.



3		A10.3.02	-	-	1
2		Round Escutcheon, E10.B1		-	1
1		Oval cylinder			1
Item		Description 1	Standard	Dimension	Default/Qty
Design: TJU 23.02.2012		Metric: mm	Size, std: --	Tolerance:	
Drawn: TJU 23.02.2012			Material: -	General tol. acc. ISO2768 - ?	
Chec'd: --			Finish: -	Geometric tol. symbols acc. ISO1101	
Appr'd: --		Size: A3	Color, texture: -	Surface rough. symbols acc. ISO1302	
Part ref:		Title:		Mass: kg	
Product:		B106.			F
Prod. call name		Cylinder assembly set			
Sheet: 1 / 2				Drawing number:	
		All rights reserved. Copyright (C) 2006 iLoq Oy http://www.iLoq.com		Rev. B	