



**iLOQ N501 STAND-ALONE DOOR MODULE
iLOQ N504 RFID DOOR READER
MOUNTING AND DEPLOYING INSTRUCTIONS
USER GUIDE**

TABLE OF CONTENTS

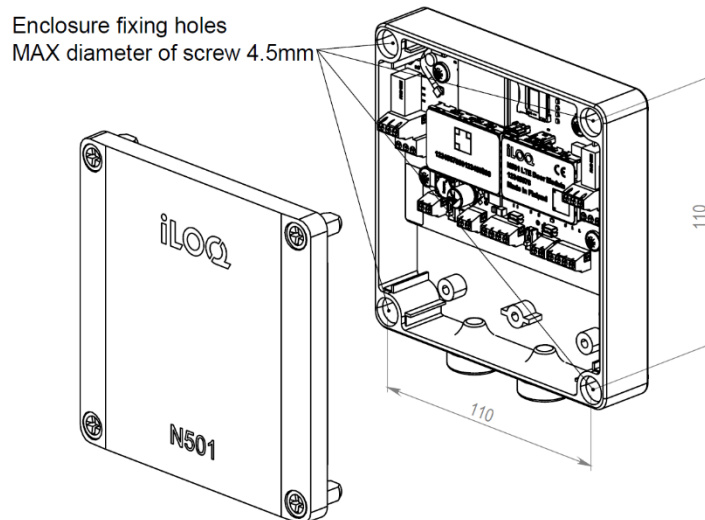
1.	BEFORE INSTALLATION.....	3
2.	INSTALLATION OF THE iLOQ N501 STAND-ALONE DOOR MODULE	4
3.	WIRING THE iLOQ N501 DOOR MODULE AND iLOQ N504 RFID WALL READER	5
3.1	Door module information	5
3.2	Wiring example	6
4.	INSTALLATION OF THE iLOQ N504 RFID WALL READER	7
5.	ADDING A NETWORK MODULE	8
6.	DEPLOYING THE iLOQ N501 DOOR MODULE.....	9

1. BEFORE INSTALLATION

- 1) These instructions should be carefully followed during installation.
- 2) These instructions should be passed on by the installer to the user.
- 3) iLOQ devices must be installed and used effortlessly without the use of excessive force.
- 4) Products should not be modified in any way except in accordance with the modifications described in these instructions.

2. INSTALLATION OF THE iLOQ N501 STAND-ALONE DOOR MODULE

These instructions should be carefully followed during installation.

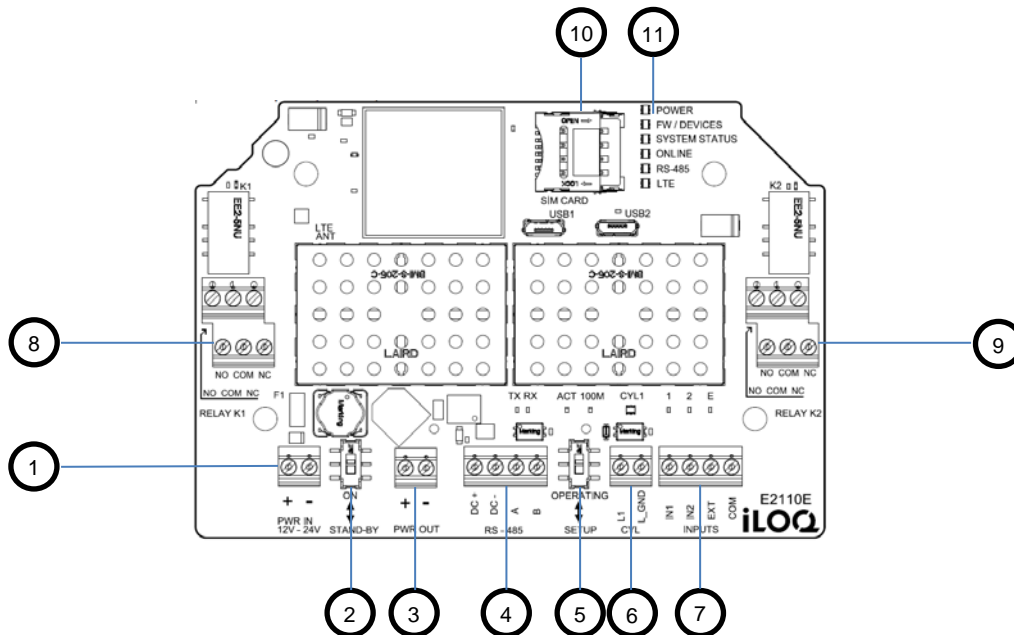


The iLOQ N501 door module PCB, SIM card, thru-hole insulation and antenna are pre-installed in the enclosure. To open the enclosure cover, open the plastic fixing screws. On the bottom of the screw channel you can find wall fixing points. Please use these fixing points to attach the enclosure to the wall.

Please do not remove the PCB from the enclosure because the antenna is fixed to the back wall of the enclosure.

3. WIRING THE iLOQ N501 DOOR MODULE AND iLOQ N504 RFID WALL READER

3.1 Door module information



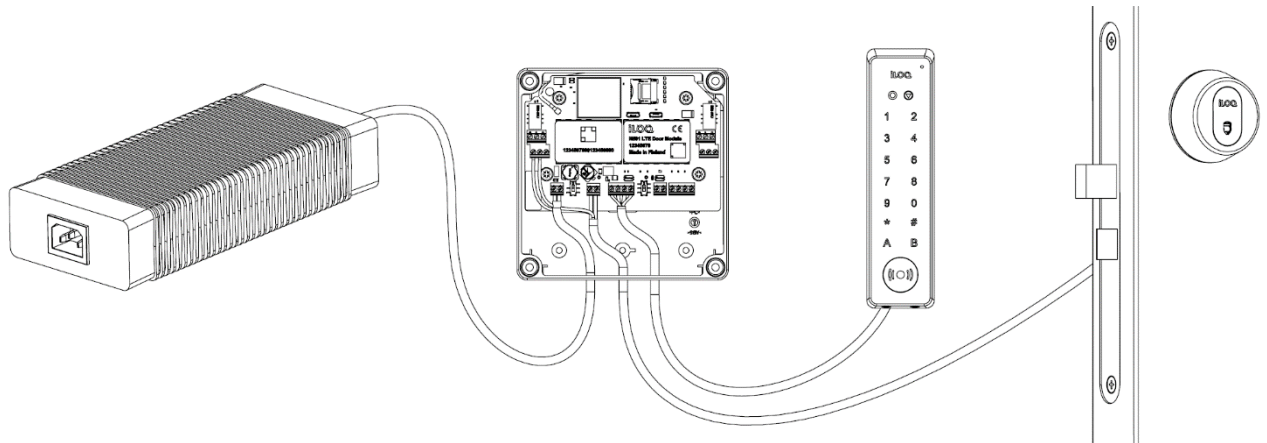
- | | |
|---|-----------------------------------|
| 1. Power input 12V – 24V dc | 7. Inputs, IN1, IN2, EXT and COM* |
| 2. On / Standby switch | 8. K1 relay, lock device control* |
| 3. Power output, dependent on input power | 9. K2 relay, lock device control* |
| 4. Reader input, Data A/B, +/- | 10. SIM card holder |
| 5. Operation selection, Operating/Setup | 11. Light indicators |
| 6. C5S cylinder connector | |

*Additional Information;

Inputs

- | | |
|-----------------|---|
| IN1 + COM | Opening button |
| IN2 + COM | Door monitoring |
| EXT + COM | Conditional access right input |
| K1 relay | Reader, calendar and PIN code group opening |
| K2 relay | Calendar and PIN code group opening |

3.2 Wiring example



Standard wiring:

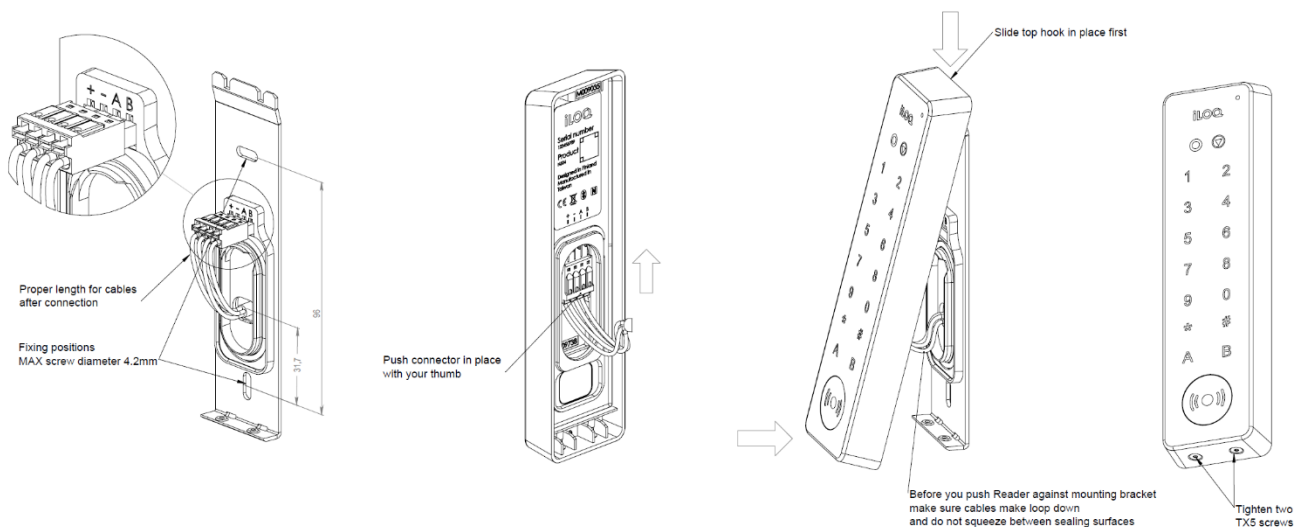
1. Power input 12 – 24V dc from external power supply to door module
2. Bus wiring from door module to door reader
3. Relay output from door module to lock device

Optional wiring:

1. Voltage output from door module to lock device
2. Opening button contact to door module
3. Door monitoring information from lock device to door module
4. Conditional access right input from external relay

4. INSTALLATION OF THE iLOQ N504 RFID WALL READER

These instructions should be carefully followed during installation.



1. Install the mounting bracket to the wall/door
2. Connect the quick connector to the cable: you can use the connector support located on the mounting bracket while connecting wires as it also guides you to make the proper connections and cable length
3. Push the quick connector to its position on the reader
4. Slide the top part of the reader into place on the mounting bracket: make sure the wiring loops downwards to avoid squeezing the wires between the reader and mounting bracket
5. Tighten the two Torx5 screws on the bottom edge

5. ADDING A NETWORK MODULE

Net Bridge deployment in iLOQ Manager

1. Add Network module
2. Add Name
3. Add Type -> N501 (with modem)
4. Add License -> N501
5. Add count of reserved Licenses -< 1
6. Add Key programming Hot Spot installed
7. Add Serial number
8. Add Active

Next

1. Select estate

Next

2. Select Zone

Next

3. Add new network module user

Next

4. Select timing settings -> No selections

Next -> Summary -> Ready

Next you will define basic lock information

1. Add Placement
2. Add Locking target
3. Add Lock cylinder -> N501
4. Add Zone
5. Lock type is automatically S5 Online
6. N501 Network module -> automatically selects correct Net Bridge
7. Clock installed automatically Yes
8. Lock collects audit trails -> Yes or No
9. Allow API access rights -> Yes or No

Next

1. Select relay configuration -> Basic
2. Select relay mode -> Impulse
3. Default relay operating time 3s.

Next

1. Add additional information if needed
2. Add Conditional Access rights if needed

Next

1. Select Estate

Next

1. Select Access rights

Next

1. Select time profiles if needed

Next

1. Create individual access rights if needed

Next

Amount locks to create -> 1

Next

1. Order and transfer to Programming Token

Next – Finish - Summary

6. DEPLOYING THE iLOQ N501 DOOR MODULE

These instructions should be carefully followed during installation.

After both iLOQ N501 and iLOQ N504 are properly installed and all wires connected, devices are ready to be powered and setup.

1. First switch the operating mode to the SETUP mode and then switch the POWER ON; after 4 seconds, switch the SETUP back to OPERATING mode. Follow the light indicators on iLOQ N501;

POWER -> Green

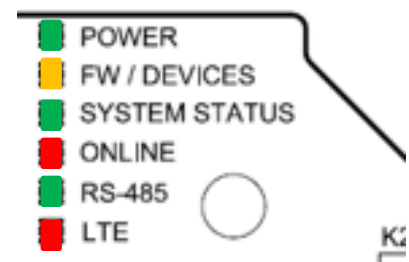
FW/DEVICES -> Orange

SYSTEM STATUS -> Green

ONLINE -> Red

RS-485 -> Green

LTE -> Red



If the light indicators are not as they are shown here, do not start the programming.

Repeat the SETUP and wait until the light indicators are how they are shown above.

2. Place the Programming Token on the Door/Wall reader and the deployment starts.

It takes approximately 5–15 seconds to upload the programming package from the Programming Token to N501 via N504. When the programming is ready, the reader will beep and a green light will show.

3. Follow the light indicators on N501;

POWER -> Green

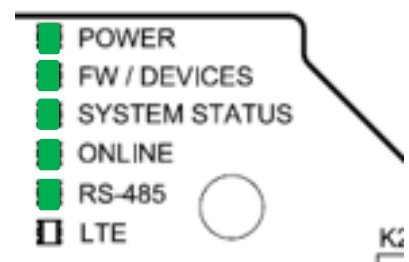
FW/DEVICES -> Green

SYSTEM STATUS -> Green

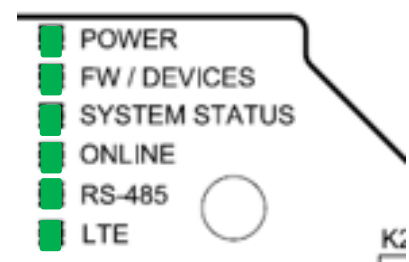
ONLINE -> Green

RS-485 -> Green

LTE -> Off



4. Switch power to Standby and switch power back on.
5. Wait until all light indicators are green.



6. The deployment has been completed and the reader is ready for use.