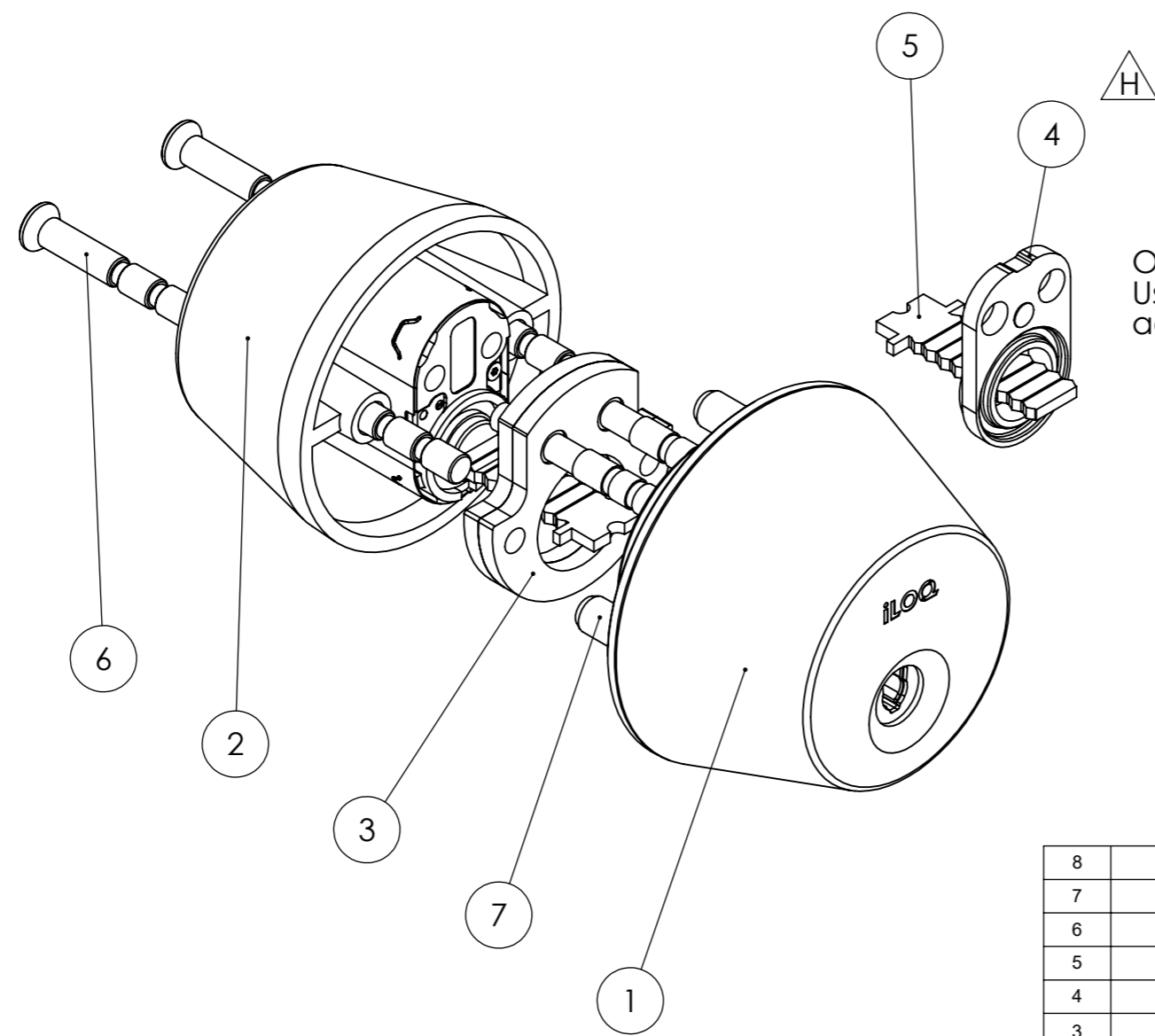


This document and its contents are the property of iLOQ Oy and must not be copied, reproduced or disclosed to any third party without prior written permission. Contravention will be prosecuted.



**OPTIONAL PARTS:**  
Use if cylinder position  
adjustment needed

Item	Salescode	Description 1	Dimension	Default/Qty
8		Oval cylinder		2
7		Spring pin	Ø6x1,25 L=16	4
6	See table	Break away screw, 12.9	M5x90	2
5	A10.41	Tailpiece	L = 33	1
4	A10.33	Extension piece 3mm		1
3	A10.47	A10.47, Dual side installation		1
2	E10.B4	Round Escutcheon, E10.B4		1
1		Round Escutcheon, Default		1

Design: TJu 27.02.2012	Metric: mm	Std. Size: --	Tolerance: 3D Master Data to be followed! General tol. acc. ISO2768-1 mK Size ISO 14405 $\text{E}$ $\text{H}$ 0,2 Geometric tol. symbols acc. ISO1101:2017 Surface rough. symbols acc. ISO1302:2002
Drawn: STo 15.11.2012		Material: -	
Check'd: -	Size: A3	Finish: -	
Appr'd: KyroJu 14.04.2021	Sheet: 1/2	Color, texture: -	
Product: -	Based on:	Type: -	Title: -
 All rights reserved. iLOQ Oy Copyright © 2006 <a href="http://www.iloo.com">http://www.iloo.com</a>		<b>D102.</b> Cylinder assembly set	
		Sales code <b>D102</b>	Drawing number: