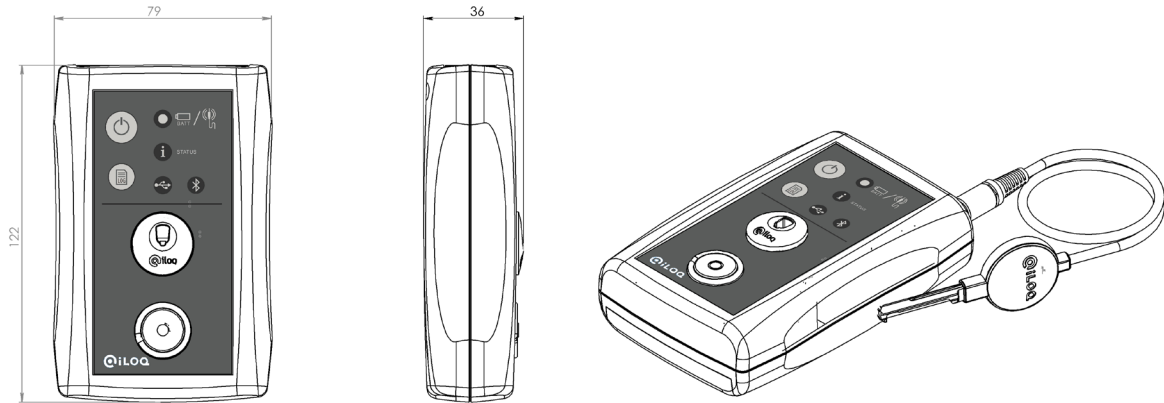


iLOQ P10S.10 PROGRAMMING DEVICE



General

The patented, award winning iLOQ S10 locking system offers advanced security and convenient access management for master-key locking environments.

The physical programming of iLOQ locks and keys is done with the iLOQ P10S.10 Programming device. The Programming device features on-line and off-line operations. When the Programming device is on-line connected to the iLOQ Manager -software the locking system login authentication is performed using the iLOQ P10S.3 Token (iButton® DS1963), which enables highest security defining programming authorization levels of the users. A big amount of the lock and the key programming tasks can be loaded to the Programming device for off-line operations. Feedback information on the executed programming tasks are transferred automatically to the Manager software when the device is reconnected.

iLOQ P10S.10 Programming device in brief

- Device for programming iLOQ S10 locking system keys and locks
- Operations secured using powerful encryption methods, SHA-1
- On-line and off-line operations enabled

Technical data

Interfaces	Mini USB for PC connection, jack for the lock programming cable, keyhole for the key programming, socket for Token
Buttons	Power on/off, audit trail pick up
Memory capacity	Off-line operation capacity approx. 350 lock / key programming tasks, audit trail of one lock is equivalent to 13 programming tasks
Power supply	2x 1,5 AA batteries or 1,2V accumulators
Cables.....	USB Cable, iLOQ lock programming cable
Operating temperature range.....	-10..+50
Classification	CE