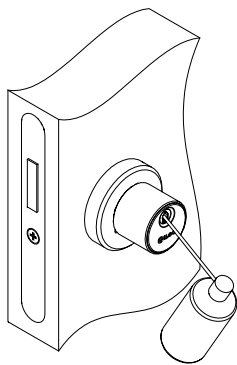


# iLOQ D10X.XXX.SB (V.9) LOCK CYLINDER MOUNTING AND CARE INSTRUCTIONS

## BEFORE INSTALLING

1. These instructions should be carefully followed during installation.
2. These instructions should be passed on by the installer to the user.
3. iLOQ D10x Europrofile cylinder must be installed effortlessly without the use of excessive force.
4. If cylinder length adjustment is needed, use iLOQ A10.Ex.x extension piece.
5. The product should not be modified in any way except in accordance with those modifications described in these instructions.
6. The installer of the iLOQ lock cylinder must be authorized by iLOQ.
7. It is recommended to use tools from iLOQ tool set T009/T010.

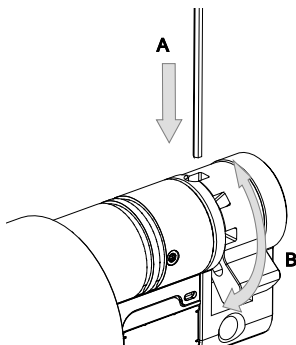
## CARE



After 10 000 usages, clean contact rolls lightly with lint-free cotton pad. Spray small amount of high quality lock oil i.e. CRC lock oil (with PTFE) onto contact rolls.

## INSTALLATION OF iLOQ D10X.1XX SERIES

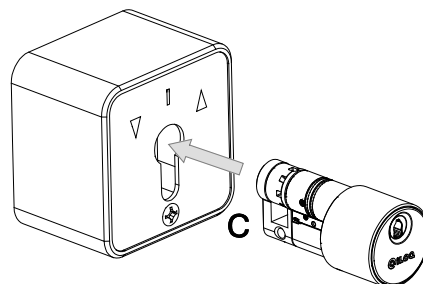
1



**A.** Adjust the cam position if necessary by pushing the locking pin for example by TORX 6 tool from iLOQ tool set.

**B.** Rotate the cam in new position. Ensure that new position is locked.

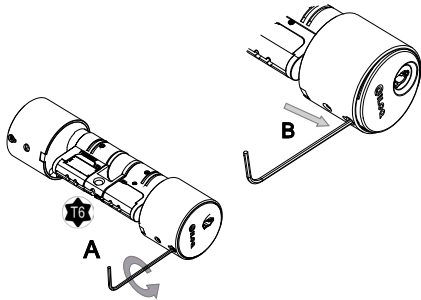
2



**C.** Fix cylinder into a key switch according the key switch manufacturer's instructions.

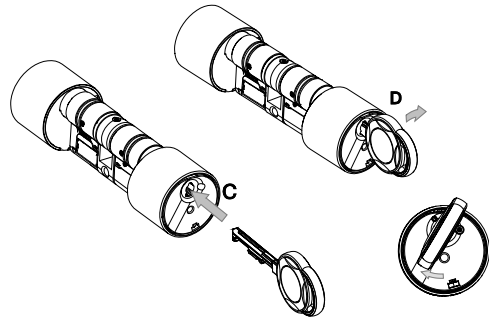
## INSTALLATION OF iLOQ D10X.2XX SERIES

1



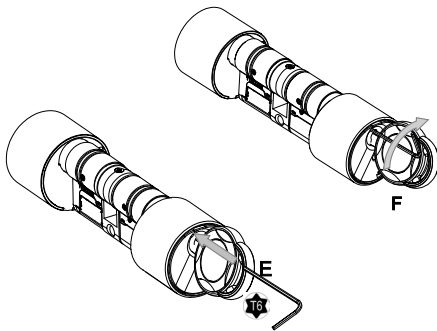
- A.** Remove the screw using TORX 6 tool.  
**B.** Remove the front plate by sliding from screw hole using TORX 6 tool.

2



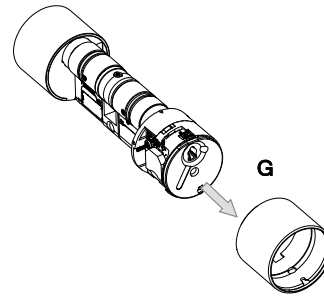
- C.** Insert authorized key into the cylinder.  
**D.** Turn authorized key 30° clockwise.

3



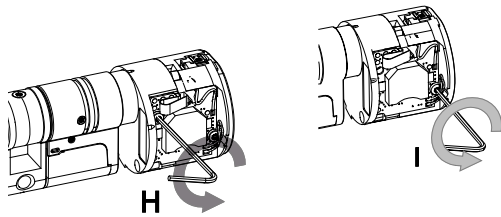
- E.** Insert TORX 6 tool into the hole shown.  
**F.** Turn TORX 6 tool ~90° to clockwise.

4



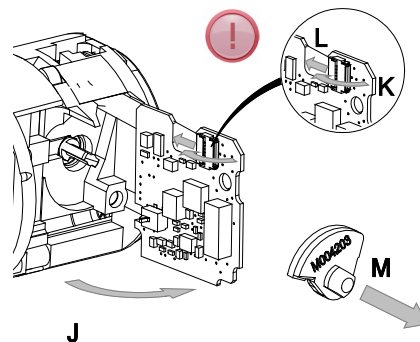
- G.** Remove knob cover.

5



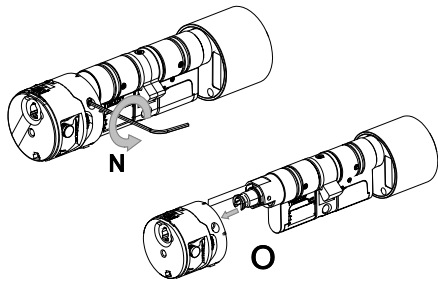
- H.** Remove screw using TORX 6 tool.  
**I.** Remove screw using TORX 6 tool.

6



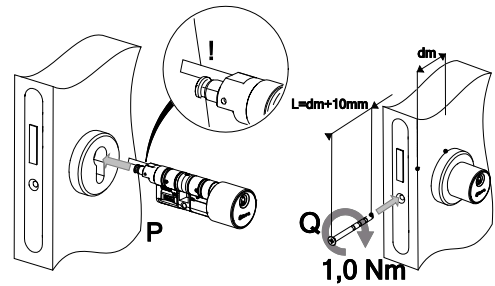
- J.** Lift very carefully the circuit board (PCB) out from its place using plastic tweezers from iLOQ toolset. Do not use metal tweezers!  
**K.** Lift flexible flat cable (FFC) connector lid.  
**L.** Remove FFC from the connector.  
**M.** Remove plastic disk from the shaft.

7



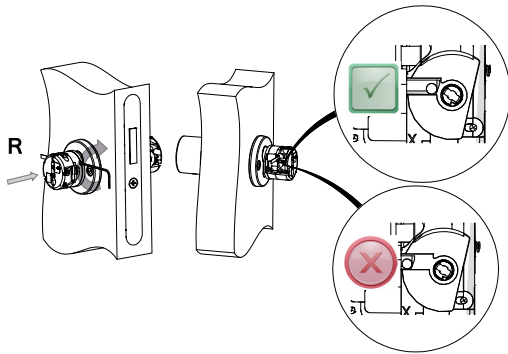
**N.** Loosen knob screw with TORX 6 tool.  
**O.** Remove knob carefully. Take care that FFC doesn't get damaged.

8



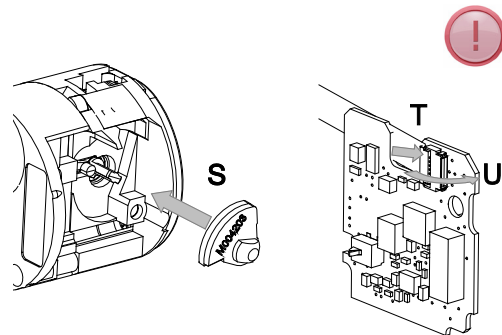
**P.** Slide lock cylinder through the lock case. Take care that FFC doesn't get damaged.  
**Q.** Fix cylinder into lock case by iLOQ fixing screw A10.64. If necessary cut the screw. Use tightening torque 0.9 ... 1.1 Nm.

9



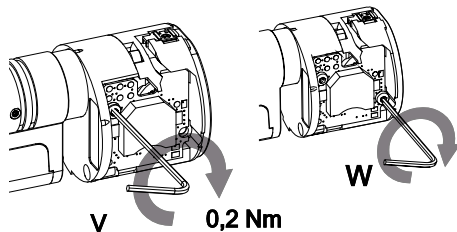
**R.** Put the knob on its place and slide the FFC out from the knob slot. Tighten the knob screw with TORX 6 tool.  
 Slide lever in front position.

10



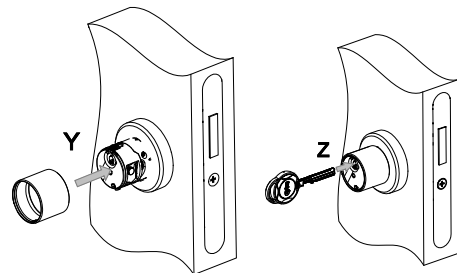
**S.** Put plastic disk onto shaft. Ensure that lever pin is in the disk groove!  
**T.** Slide FFC into connector.  
**U.** Close connector lid.

11



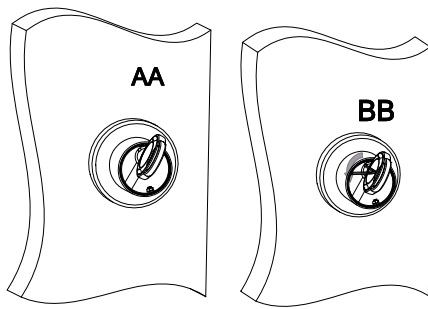
**V.** Put PCB onto bottom of the knob. Ensure that PCB is positioned correctly. Mount PCB with screw. Use tightening torque 0.15 ... 0.2 Nm.  
**W.** Mount the second PCB screw.

12



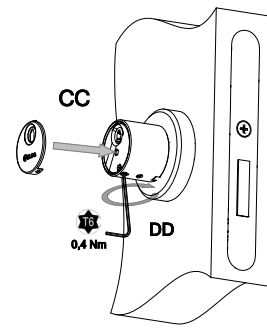
**Y.** Install knob cover.  
**Z.** Insert authorized key into cylinder and turn ~30° clockwise.

13



- AA.** Insert TORX 6 into knob hole.
- BB.** Turn screw 90° counterclockwise.

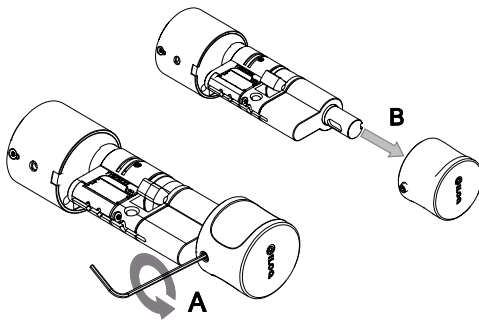
14



- CC.** Put front plate in its place. Ensure that the front plate is in correct position.
- DD.** Mount the screw. Use tightening torque 0.35 ...0.45 Nm.

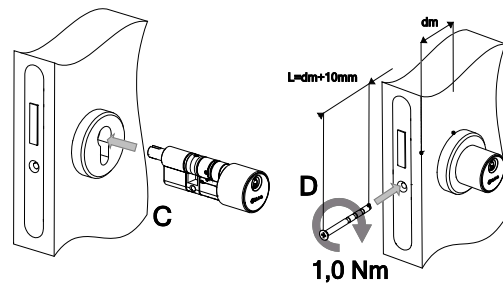
## INSTALLATION OF iLOQ D10X.3XX SERIES

1



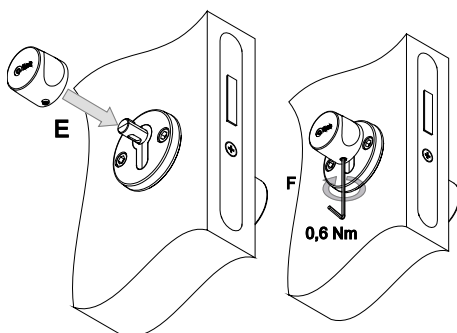
- A.** Loosen the screw from turning knob using 2 mm allen key.
- B.** Remove turning knob.

2



- C.** Slide lock cylinder through the lock case.
- D.** Fix cylinder into lock case by iLOQ fixing screw A10.64. If necessary cut the screw. Use tightening torque 0.9 ... 1.1 Nm.

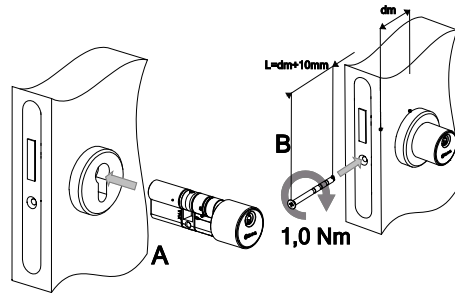
3



- E.** Put turning knob in its place.
- F.** Tighten screw. Use tightening torque 0.55 ...0.65 Nm.

## INSTALLATION OF iLOQ D10X.4XX SERIES

1

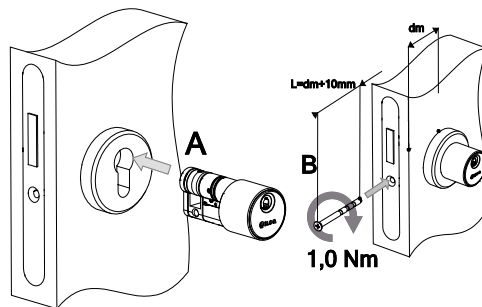


**A.** Slide lock cylinder through the lock case.

**B.** Fix cylinder into lock case by iLOQ fixing screw A10.64. If necessary cut the screw. Use tightening torque 0.9 ...1.1 Nm.

## INSTALLATION OF iLOQ D10X.5XX SERIES

1

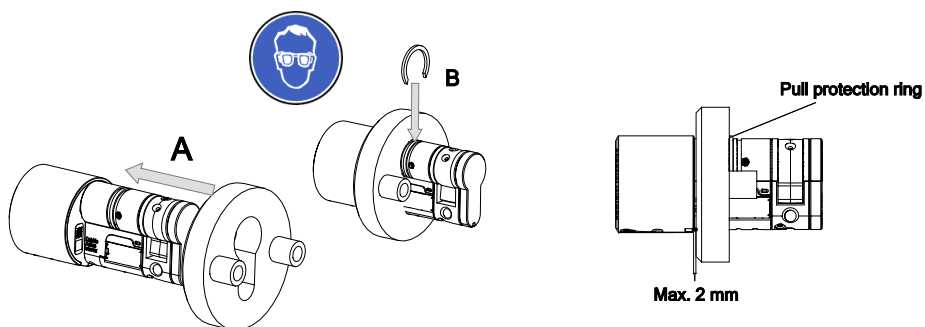


**A.** Slide lock cylinder through the lock case.

**B.** Fix cylinder into lock case by iLOQ fixing screw A10.64. If necessary cut the screw. Use tightening torque 0.9...1.1 Nm.

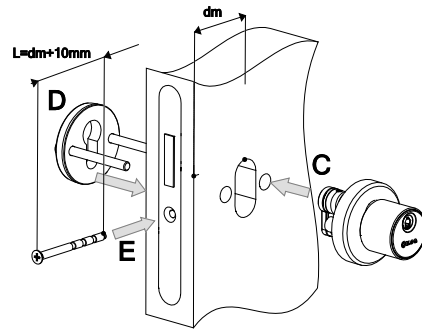
## INSTALLATION OF PULL PROTECTION RING

1



**A.** Slide escutcheon against knob.

**B.** Push the pull protection ring with a pliers onto the groove so that max. gap between escutcheon and knob is 2 mm. Wear safety glasses.



**C.** Slide lock cylinder through the lock case.

**D.** Fix escutcheon.

**E.** Fix lock into lock case by iLOQ fixing screw A10.64. If necessary cut the screw. Use tightening torque 0,9-1,1Nm. Fix escutcheons.

## GENERAL NOTES

1. To meet the German VdS (VdS Schadenverhütung GmbH) requirements class BZ on burglary threatened doors use D10S.XX0A.SB high security cylinder installed with a VdS approved security lock furniture of class B or C. Such security lock furniture corresponds to DIN 18 257 class ES 2 and ES 3. Consult iLOQ sales representative for correct configuration.
2. To meet the Dutch SKG\*\*\* requirements use D10S.XXXA.SB high security cylinder. Consult iLOQ sales representative for correct configuration.
3. Before fitting the cylinder to a fire/smoke resisting door, the fire certification should be examined to ensure conformity. Consult iLOQ sales representative for correct configuration.
4. Before fitting the cylinder to a panic/emergency exit door, the certification should be examined to ensure conformity. Consult iLOQ sales representative for correct configuration.
5. Care should be taken to ensure that any seals or weather-stripping fitted to the complete door assembly, does not inhibit the correct operations of the cylinder.
6. Care should be taken to ensure that no projection of the cylinder and associated parts, can prevent the door swinging freely.
7. All components necessary for the specific installation should be fitted.
8. The key is to be kept securely so that only authorized person may have access.
9. In case of losing a key, blacklisting of the lost key shall be done with the iLOQ S10 manager software and affected locks shall be reprogrammed.
10. Especially in industrial areas or near the sea, impurities can cause deposits in the form of rust and attacked the material. This equipment should be cleaned and maintained frequently.
11. In case of problems with functionality please check following points:

Check, if the locking cylinder is damaged.  
 Check, if foreign particles are present in keyway.  
 A defective mortise lock.  
 Incorrectly mounted locking plates.  
 A warped door etc.