

## iLOQ EUROPROFILE HALF CYLINDER WITH ADJUSTABLE CAM (D50S.511)

### General

The patented, award winning iLOQ S50 locking system offers advanced security and convenient access sharing features for master-key locking environments.

The iLOQ D50S Europrofile cylinders harvest electricity wirelessly from the NFC field. This technology transforms a smartphone into a key and power source making the lock completely battery-free. Because no batteries are required, the locks are a maintenance-free and environmentally-friendly green solution that reduces workload, costs, waste and harm associated with battery-powered solutions.

The iLOQ S50 doesn't have a keyway due to contactless NFC technology. The lock is designed for exposure to harsh environments and extreme climates, while remaining water-resistant and dustproof.

The smartphone as a key provides exceptional features coupled with high security. With flexible access sharing, time restrictions and audit trail reporting over-the-air, security gaps caused by lost keys can be eliminated completely without costly changes to locks and keys.

The cylinder body is 40 mm long and is available with short reader.

The half cylinder D50S.5xx has operation angle of +/- 90 degrees and the cam can be adjusted in 12 different positions. This allows use of the cylinder in many key switch type applications and key tubes (Bytel and SFR, others on request).

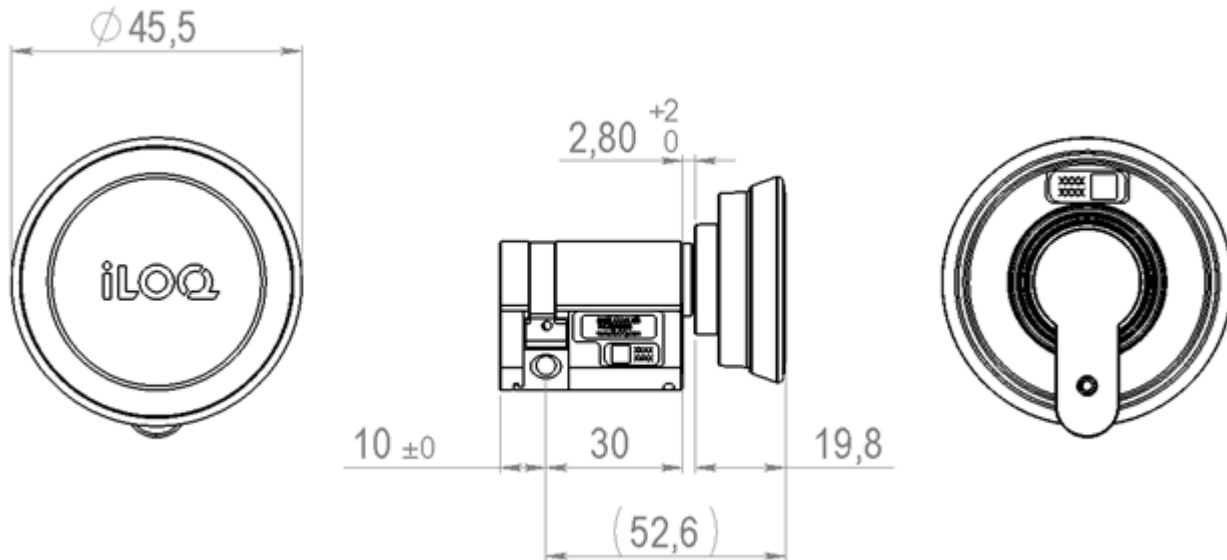
---

### D50S.511. in short

- Battery-free programmable electromechanical lock cylinder for iLOQ S50 locking system
- NFC-powered: no batteries required for the lock
- Opening with NFC enabled Android or iOS Smartphone (7 and iOS 13 or newer) or iLOQ K55S Key Fob
- Secured using powerful AES256 encryption and mutual authentication
- Compatible with DIN 18252 and EN 15684 standards
- Adjustable cam, 12 different pre-defined positions
- Operating angle +/- 90° (around neutral position)
- Initial programming with PC and iLOQ P55S.1 Programming Token in connection to the Server
- Access right list for access groups
- Blocklist for individual lost keys
- Internal audit trail record with time stamp (can be configured on/off)
- Supports time restrictions
- Can be configured to require online opening authentication
- Re-programming with keys (Android/iOS Smartphone or K55S Key Fob)
- Firmware updateable

## Product version

D50S.511.SD



D50S.511.SD ..... Europrofile half cylinder with adjustable cam with  
..... short knob.

## Memory capacity

Number of access rights ..... 210  
Number of blocklisted keys ..... 500 (per zone)  
Number of time profiles ..... 10  
Event logs..... At least 500

## Technical data

Lock body ..... Stainless steel, satin finish  
Knob..... Black plastic  
Category of use: EN15684 (Grade 0-1) ..... Class 1  
Durability: EN15684 (Grade 4-6)..... Class 5, 50 000 cycles  
Environmental resistance: EN15684 (Grade 0-4)..... Class 4  
Electronic key related security: EN15684 (Grade A-F) ..... Class F  
System management: EN15684 (Grade 0-3)..... Class 3  
Temperature range:..... -25°C up to +80°C  
Ingress protection rating.....IP54