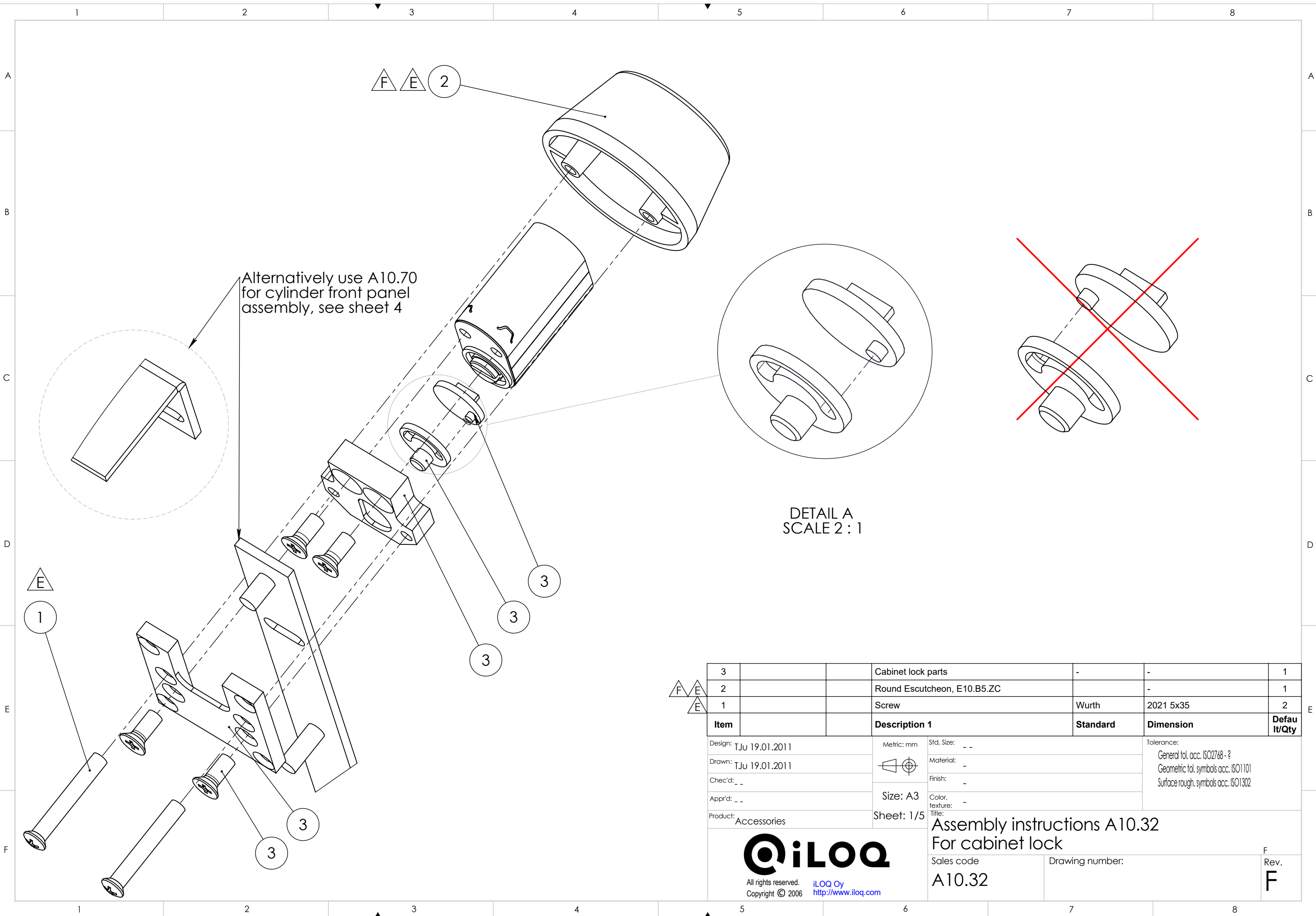


iLoq® and iLoq™ are registered trademarks of iLoq Oy. This document and its contents are the property of iLoq Oy and must not be copied, reproduced or disclosed to any third party without prior written permission. Contravention will be prosecuted.



| 3  |  | Cabinet lock parts          | -                                   | -                                   | 1               |
|--|--|-----------------------------|-------------------------------------|-------------------------------------|-----------------|
| 2  |  | Round Escutcheon, E10.B5.ZC |                                     | -                                   | 1               |
| 1  |  | Screw                       | Wurth                               | 2021 5x35                           | 2               |
| Item   |  | Description 1               | Standard                            | Dimension                           | Default/Qty     |
| Design: TJU 19.01.2011   |  | Metric: mm                  | Std. Size: --                       | Tolerance:                          |                 |
| Drawn: TJU 19.01.2011  |  |                             | Material: -                         | General tol. acc. ISO2768 - ?       |                 |
| Chec'd: --   |  |                             | Finish: -                           | Geometric tol. symbols acc. ISO1101 |                 |
| Appr'd: --   |  | Size: A3                    | Color, texture: -                   | Surface rough. symbols acc. ISO1302 |                 |
| Product: Accessories   |  | Sheet: 1/5                  | Title: Assembly instructions A10.32 |                                     |                 |
| <p>All rights reserved. iLOQ Oy<br/>Copyright © 2006 <a href="http://www.ilooq.com">http://www.ilooq.com</a></p> |  | Sales code                  |                                     | Drawing number:                     |                 |
|  |  | A10.32                      |                                     |                                     |                 |
|  |  |                             |                                     |                                     | F Rev. <b>F</b> |