

N500 Net Bridge

System-level description

iLOQ Online products have a vital role in scaling up the usability of iLOQ offline and no-battery products by enabling the remote management of C5 Oval lock cylinders, iLOQ keys and electrical door environments such as electric locks, door automation, etc., by connecting them to the iLOQ Cloud service via an RS485-connected iLOQ N500 Net Bridge – Online Door Module combination or via iLOQ N501 4G Standalone Door Module.

Doors equipped with iLOQ Online can be opened with iLOQ S5 and iLOQ S50 keys via connected iLOQ NFC Readers or by using calendar controls, an access code or iLOQ HOME remote opening.

In addition to just opening the door, an important function of iLOQ Online is to work as a link between the iLOQ keys and locks when transferring the D2D data of their offline activity to the iLOQ Cloud. In practice this can mean writing new access rights to iLOQ keys, blocking the use of a lost key but also reading the previous offline events from the key and sending them to the iLOQ Cloud.

The main features of the iLOQ Online system are:

- Controlling the devices in the door environment with:
 - iLOQ Key, in which case the NFC Reader will also update the Key.
 - Code access
 - Calendar controls
 - iLOQ Remote opening
- Remote management of iLOQ C5 lock cylinders (Scandinavia only)
- Updating, sharing and collecting lock and key information such as access rights, time profiles, log events and lists of blocked keys through a D2D network with an NFC Reader N504i, N505i and N506i
- Door status monitoring

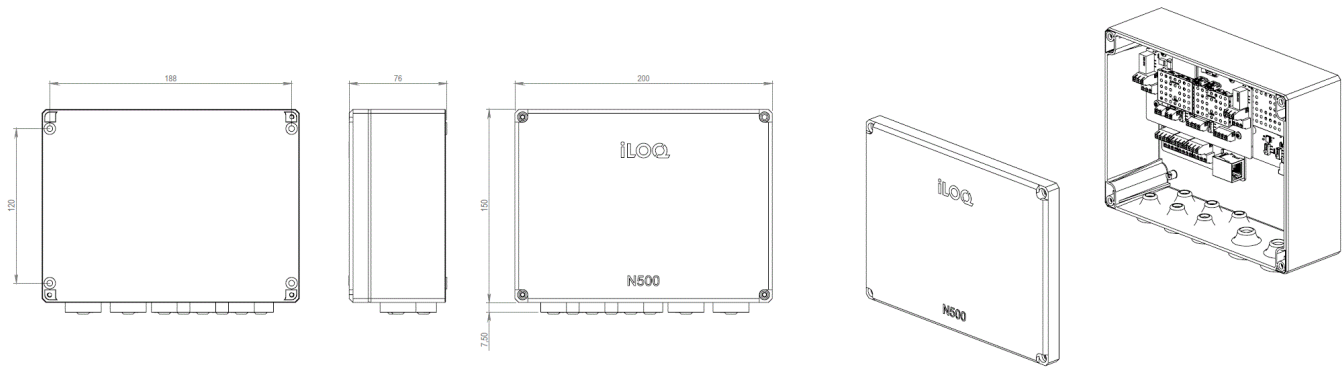
iLOQ 5 Series Online consists of the components below:

- The iLOQ N500 Net Bridge operates as a link between the iLOQ Cloud, Online Door Modules and other bus devices.
- The iLOQ N501 4G Standalone Door Module has connection to iLOQ Cloud and to the devices in the door environment.
- The iLOQ N502 Online Door Module is located in the vicinity of a door, and it controls the devices in the door environment.
- The iLOQ NFC Reader N504i/5i/6i is used to read and write data to iLOQ Keys while opening the door.

Feature summary

- • ETHERNET / POE — Ethernet LAN connection with Power over Ethernet (PoE/PoE+) support
- • 24VDC — Power input for an external power supply
- • Main bus – RS-485 / 6 branches

Dimensional drawing



Technical data

Bus interface	RS-485
Color	Light gray
Enclosure material	Plastic
Ingress protection rating	IP54
Installation method	Screws
Number of bus services	32
Power supply	24 VDC (backup with PoE or PoE+)
Server connection	LAN
Maximum temperature	122°F
Minimum temperature	-4°F

Certificates

Certificates	CE
--------------------	----