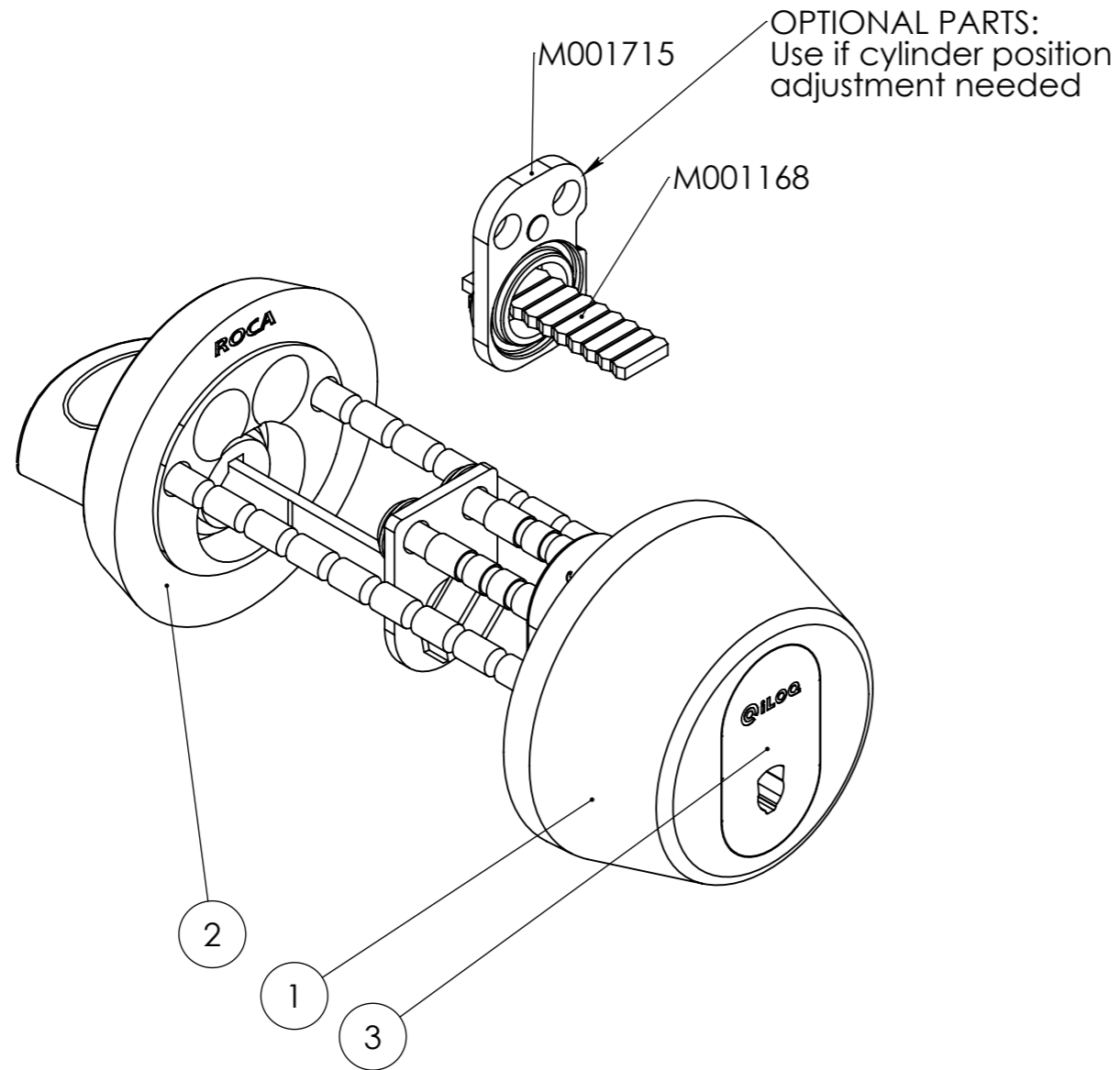


iLoq® and @iLoq™ are registered trademarks of iLoq Oy. This document and its contents are the property of iLoq Oy and must not be copied, reproduced or disclosed to any third party without prior written permission. Contravention will be prosecuted.



3		Oval cylinder			1
2		Thumb turn set, TT.B3	-	-	1
1		Round Escutcheon, E10.B1		-	1
Item		Description 1	Standard	Dimension	QTY.

Design: TJU 09.01.2012	Metric: mm	Std. Size: --	Tolerance:	
Drawn: TJU 09.01.2012		Material: -	General tol. acc. ISO2768 - ?	
Chec'd: _ _		Finish: -	Geometric tol. symbols acc. ISO1101	
Appr'd: _ _	Size: A3	Color, texture: -	Surface rough. symbols acc. ISO1302	
Product: _	Sheet: 1/2	Title: B101		
 All rights reserved. iLOQ Oy Copyright © 2006 http://www.ilooq.com		Sales code		Rev. D
		Drawing number:		

B101
Cylinder assembly set

F
Rev.
D