

## iLOQ 5 SERIES PROGRAMMING KEY P55S.1

### General

The patented iLOQ 5 Series locking system offers advanced security and convenient access sharing features for master-key locking environments.

The iLOQ P55S.1 Programming key is used for operating the iLOQ 5 Series locking systems. Programming key is an essential part of system security and each Programming key is individual part of locking system. The Programming key is a tool to program and update lock cylinders, keys and to deploy Online devices.

The Programming key is equipped with an internal accumulator. One charging of the internal accumulator will last several months. When the device needs recharging it will inform users weeks before recharging is necessary. The Programming key can be charged with a commonly used USB B-type cable that is delivered with the Programming key. The Programming key is designed for harsh environments and climates, while remaining water-resistant and dustproof.

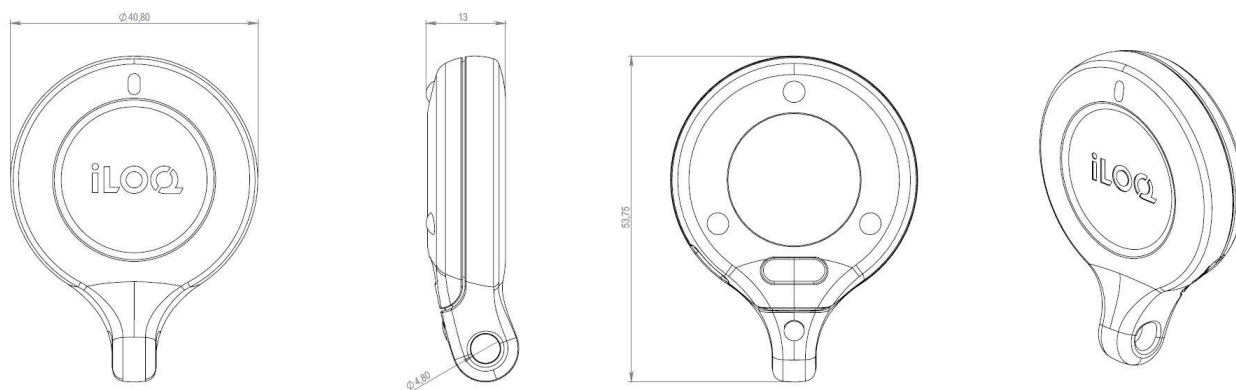
The Programming key can carry access right updates, time profile updates and block-listing tasks to the lock cylinders. It can also use to retrieve lock audit trails from offline lock cylinders.

---

### P55S.1 Programming key in brief

- Rechargeable digital Programming key for iLOQ 5 Series locking system
- Secured using AES256 encryption
- Programmed on iLOQ Manager – software with system specific Programming key
- Each fob has a unique identifier and can be individually blocked from the management system
- Laser stamped one letter and four-digit random number
- Can be personalized with color pin
- Sturdy, sealed structure for harsh environments with led status indication
- Receives and transfers blocklist from/to locks when used offline
- Receives log events from locks when used offline
- Accessory A00.18 Programming adapter for tabletop use
- Accessory A00.20 Programming adapter for handheld use on site

## Product version



P55S.1.....Programming key with orange marker

## Memory capacity

Number of programming tasks.....200 when lock log events not stored in the memory  
 Number of blocklist increments.....1 (1 to 50 keys) per zone for 200 zones when no log events or programming tasks stored in the memory  
 Number of lock event logs.....50 full lock event logs when programming tasks not stored in the memory

## Technical data

Accumulator capacity ..... 150mAh  
 Accumulator type ..... Lithium Ion Polymer with safety circuit  
 Operating temperature.....-20°C ... +60°C  
 Charging temperature.....0°C ... +45°C  
 Ingress protection rating.....IP67  
 Conforms with.....Radio Equipment Directive (RED)2014/53/EU  
 Conforms with.....Restriction of the use of certain hazardous substances (RoHS) 2011/65/EU