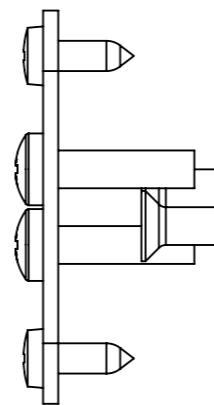
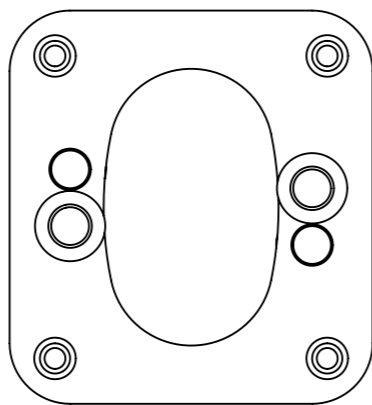
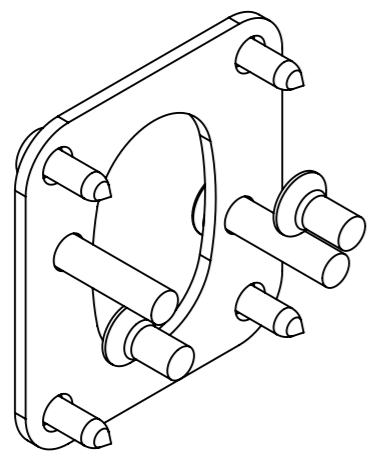


iLoq® and iLoq™ are registered trademarks of iLoq Oy. This document and its contents are the property of iLoq Oy and must not be copied, reproduced or disclosed to any third party without prior written permission. Contravention will be prosecuted.



| | | | |
|------------------------|---|--|---|
| Design: MKe 18.11.2009 | Metric: mm | Size, std: | Tolerance: |
| Drawn: MKe 18.11.2009 | | Material: | General tol. acc. ISO2768 - Geometric tol. symbols acc. ISO1101 Surface rough. symbols acc. ISO1302 |
| Chec'd: | | Finish: | |
| Appr'd: | Size: A3 | Color, texture: | Mass: kg |
| Part ref: | Title: Installation kit Wood door, A10.18, D1=13-18 | | |
| Product: Cam lock | www.iloq.com | All rights reserved. Copyright (C) 2006 iLoq Oy http://www.iloq.com | Drawing number: M001649 |
| Prod. call name | | | Rev. D |
| Sheet: 2 / 2 | | | |