



iLOQ S50
C50S.XXX.SD(.SE) Oval cylinder
User Guide



11/2023
Rev. 1.0

Document ID
306430



iLOQ Oy
support.iLOQ.com

Contents

1.	Safety information.....	3
1.1	Safety signs	3
2.	Overview	3
3.	Before installation	4
3.1	General notes.....	4
3.2	Care and maintenance	4
4.	Installation	5
4.1	Installation of iLOQ C50S.1xx/2xx.....	5
4.2	Installation with iLOQ AC50.1 accessory.....	6
4.3	Adjusting the knob distance.....	7
4.4	Changing the knob.....	9
4.5	Adjusting the tail-plug	10
4.5.1	Cylinder test	12
5.	Operating instructions.....	13
6.	Disposal of decommissioned products.....	14
7.	Compliance	15

1. Safety information

1.1 Safety signs

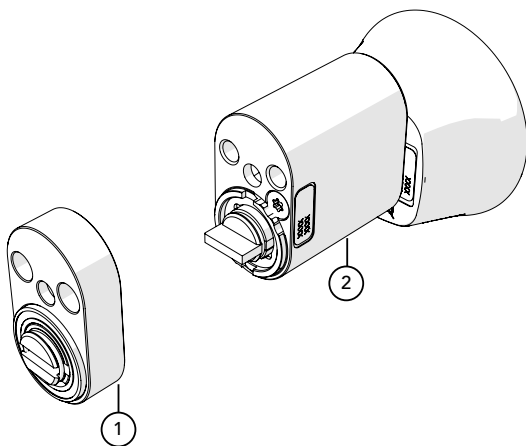
Sign	Description
	General notice sign. Indicates particularly important information about the installation or product.
	Read these instructions carefully before using products. This information is to ensure your safety and long lifetime of the products.

2. Overview

The iLOQ C50S is a battery-free programmable electromechanical lock cylinder for the iLOQ S50 locking system. It is NFC-powered: no batteries are required for the lock. Opening with NFC enabled Android and iOS mobile phones or iLOQ K55S Key Fob.

The cylinder is available in two different reader lengths; short and long. The short reader position can be adjusted 2 mm and the long reader position 4 mm in 2 mm steps.

1. iLOQ AC50.1



2. iLOQ C50S Cylinder

3. Before installation

3.1 General notes

- These instructions and any maintenance instructions should be passed on by the installer to the user. If there are any deviations from the contents in foreign language versions of the documentation, the English original shall apply in case of doubt.
- Make sure that the cylinder meets all local regulation and is suitable to be used with the door and lock.
- Do not modify the product in any way, except in accordance with those modifications described in these instructions.
- The iLOQ C50S cylinders must be installed and used effortlessly without the use of excessive force.
- Make sure that any seals or weather-stripping fitted to the complete door assembly do not inhibit the correct operations of the cylinder.
- Only use the cylinders for the purpose of opening and locking doors; any other use is not permitted.
- Make sure that no projection of the cylinder and associated parts can prevent the door from swinging freely.

3.2 Care and maintenance

The product is designed to be maintenance-free. It does not require any regular maintenance.

4. Installation



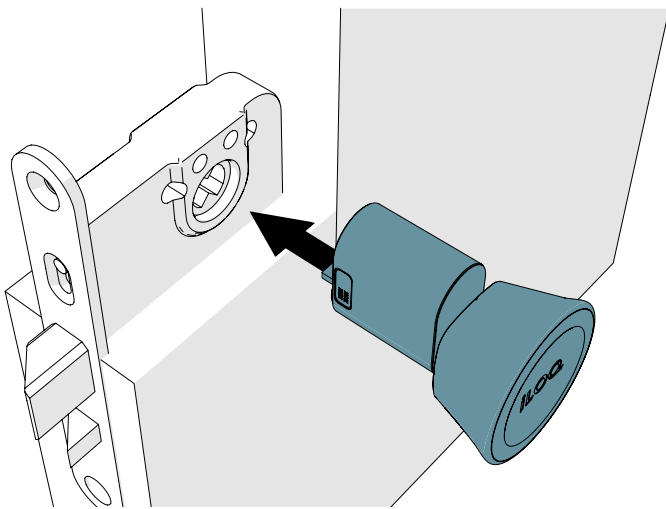
NOTE! Make sure you have the correct accessories and parts needed for your installation. Contact your local iLOQ partner for more information.



NOTE! If the lock case needs a tail piece to be left in the horizontal position, use the iLOQ AC50.1 accessory with the cylinder. Check out chapter "4.2 Installation with oval/Finnish retrofit cylinder centering piece".

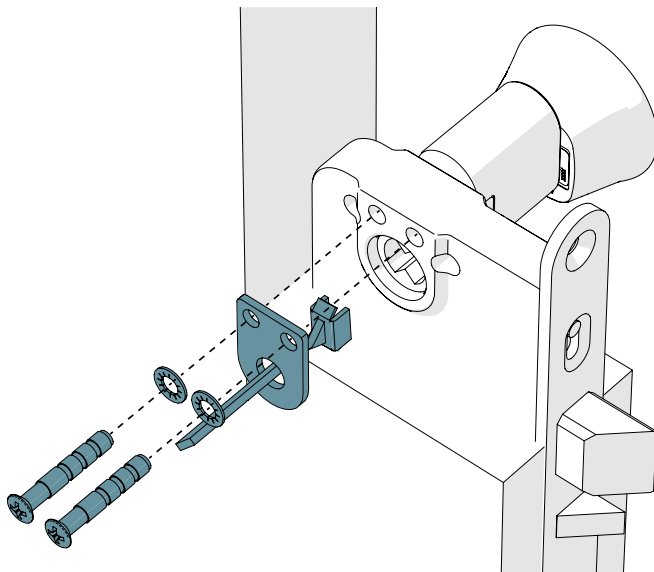
4.1 Installation of iLOQ C50S.1xx/2xx

1. Install the cylinder to the lock case.



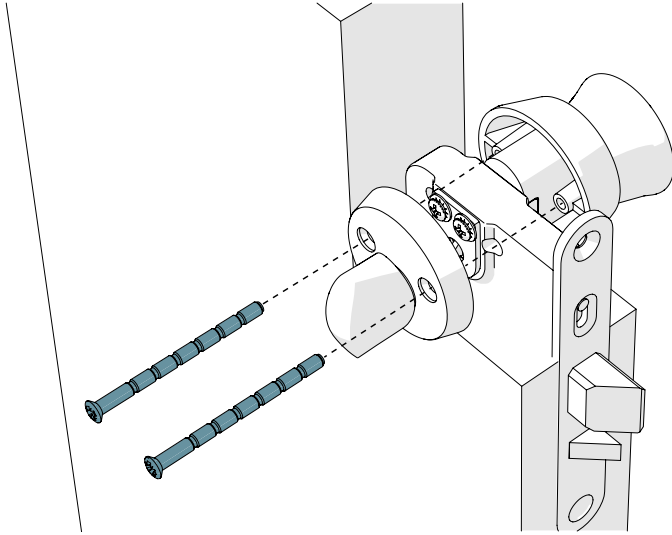
NOTE! Example installation is for scandinavian oval open escutcheon with thumbturn. Your installation may differ from this example.

2. Install cylinder fixing screws and accessories to secure the cylinder in place.



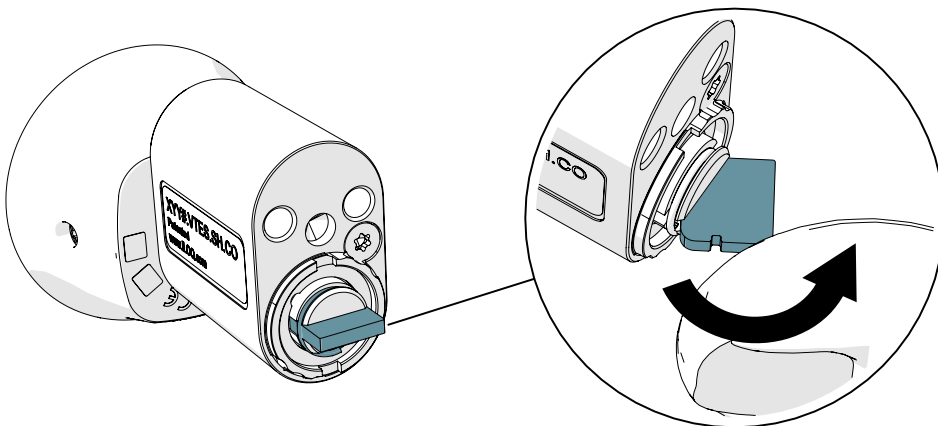
NOTE! Make sure that the fixing screws enter the cylinder at a depth of at least 5mm.

3. If needed, adjust the knob to the desired distance from the cylinder body, so that, for example, high-security escutcheons can fit in between. See section 4.3 "Adjusting the knob distance".
4. Install the needed accessories and escutcheons to finish the cylinder installation.

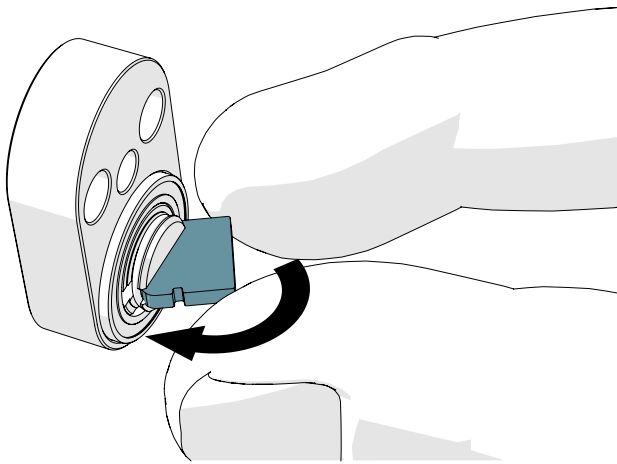


4.2 Installation with iLOQ AC50.1 accessory

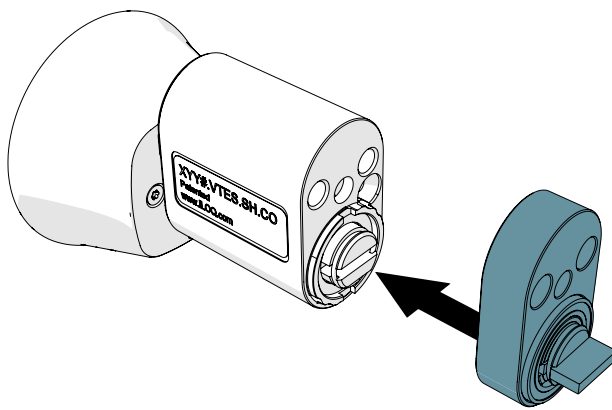
1. Remove the tail piece from the tail plug.



2. Connect the removed tail piece to the AC50.1 cylinder centering piece.

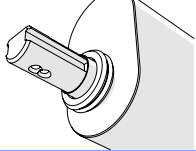
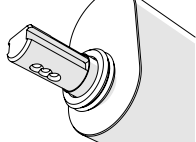


3. Install the cylinder centering piece between the lock case and the lock cylinder.

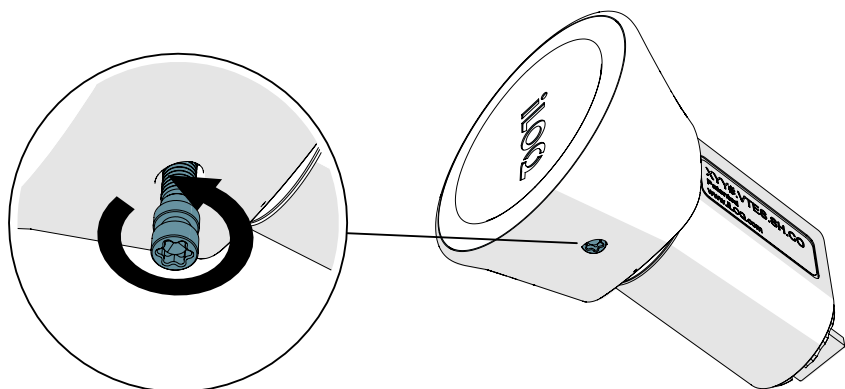


4.3 Adjusting the knob distance

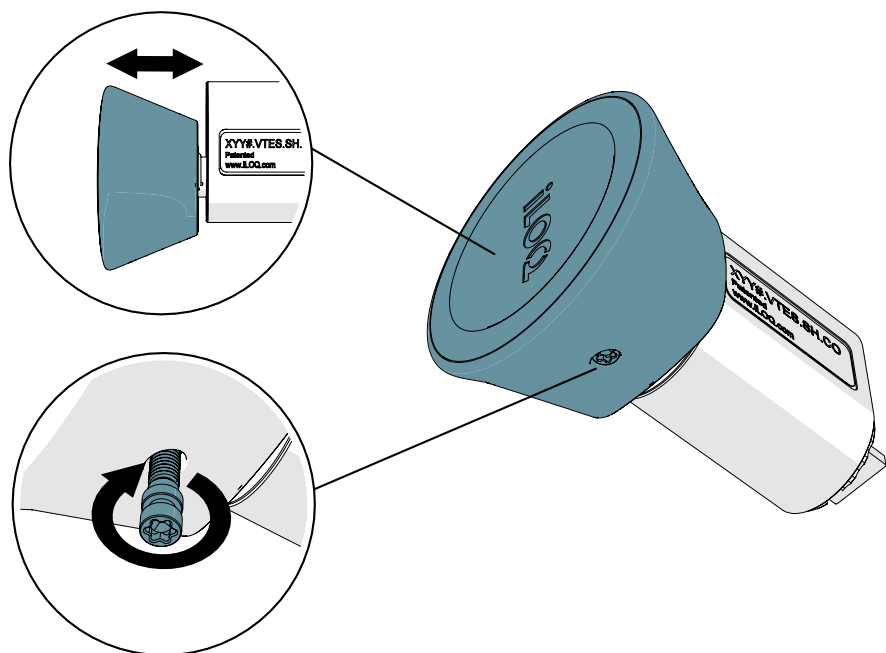
It is possible to adjust the knob distance in the following Scandinavian lock cylinder models:

Adjustability: 2 mm in total with two fixing points		
C50S.111.SD	Oval cylinder with a short reader	
C50S.111.SD.SE	Oval cylinder with a Swedish tail piece and short reader	
C50S.211.SD	Finnish retrofit cylinder with a short reader	
Adjustability: 4 mm in total with three fixing points		
C50S.121.SD	Oval cylinder with a long adjustable reader	
C50S.121.SD.SE	Oval cylinder with a Swedish tail piece and long adjustable reader	
C50S.221.SD	Finnish retrofit cylinder with a long adjustable reader	

1. Loosen the screw so that the knob can be moved.

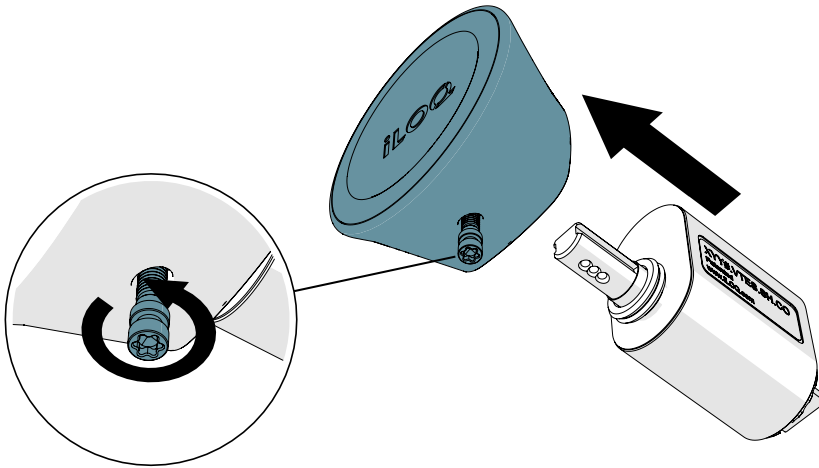


2. Adjust the knob to the right distance and tighten the screw.
Use a tightening torque of 1.5 Nm.

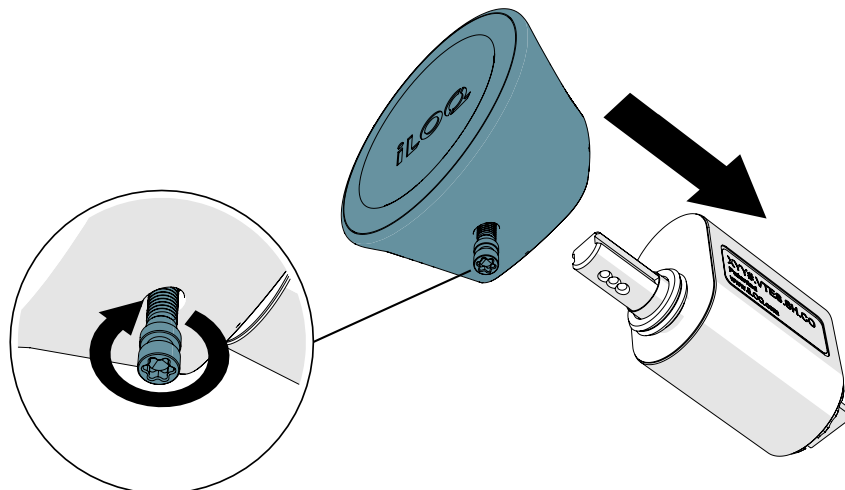


4.4 Changing the knob

1. Loosen the screw so that the knob can be removed.



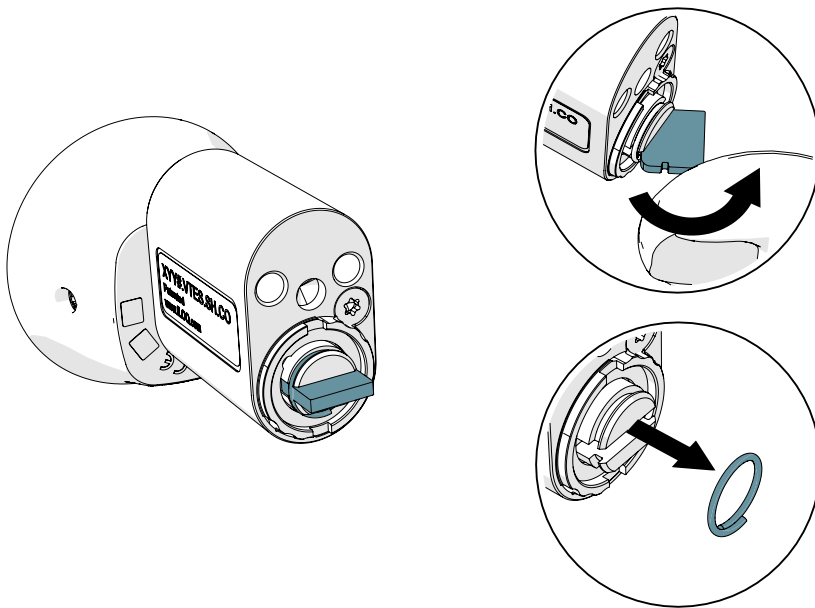
2. Adjust the knob to the right distance and tighten the screw. Use a tightening torque of 1.5 Nm.



4.5 Adjusting the tail-plug

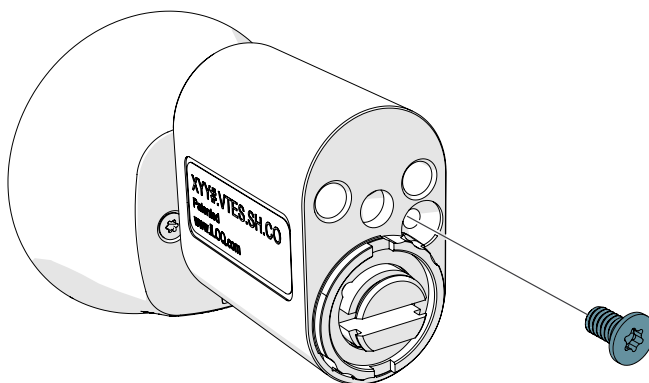
With some lock cases, the tail-plug might need to be adjusted. Use the following instructions to correctly adjust the tail-plug.

1. Remove the tail piece and the holding spring.

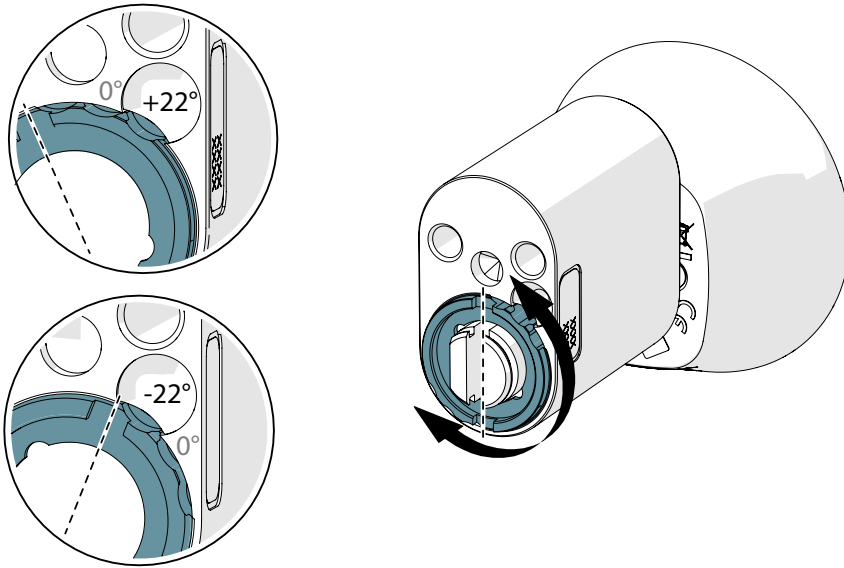


WARNING! Be careful when removing the holding spring to avoid eye injuries.

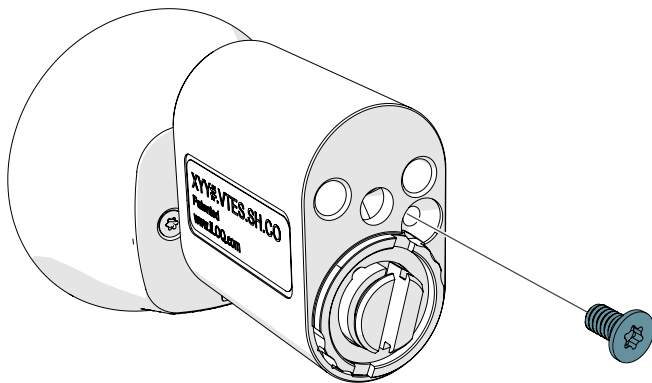
2. Turn the tail-plug fixing T10 screw carefully to the left and remove the fixing screw.



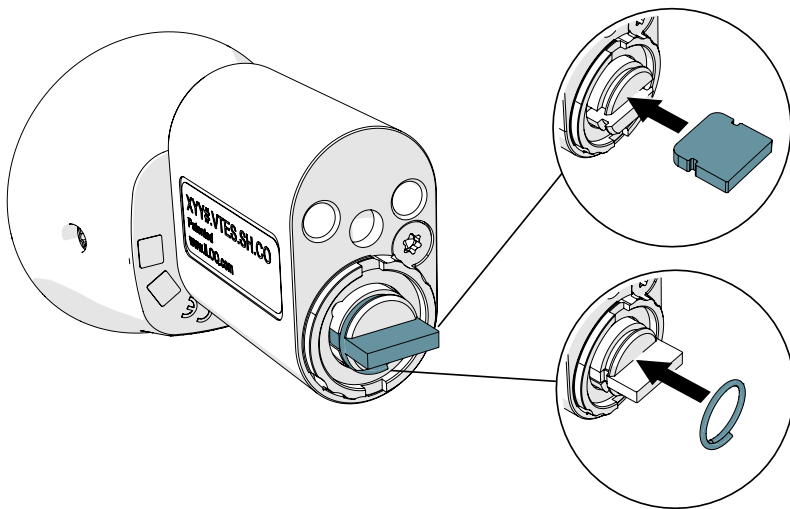
3. Turn the tail-plug to adjust it with a suitable tool (for example, a spindle, flat-head screwdriver, etc.). Try to adjust the tail-plug first counter-clockwise by +22 degrees.



4. Tighten the T10 screw.



5. Install the holding spring and tail piece.

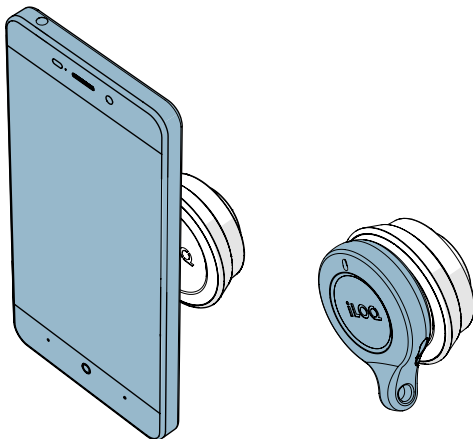


WARNING! Be careful when installing the holding spring to avoid eye injuries.

4.5.1 Cylinder test

- Make sure that the cylinder does not prevent the lock casing from working properly. iLOQ S50 lock cylinders feature an automatic reset back to a locked state.

1. Open the cylinder with a valid key

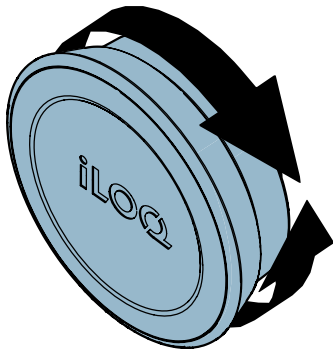


NOTE! Due to the large variety of phone models and operating system versions, iLOQ cannot guarantee that all NFC-enabled phones will work seamlessly with our NFC locks.



NOTE! Before using the locks, check where the NFC antenna is located in your phone so that you know the best position to hold the phone against the knob.

2. Turn the reader knob to a full right/left lock position for 15 seconds until the cylinder automatic resets.

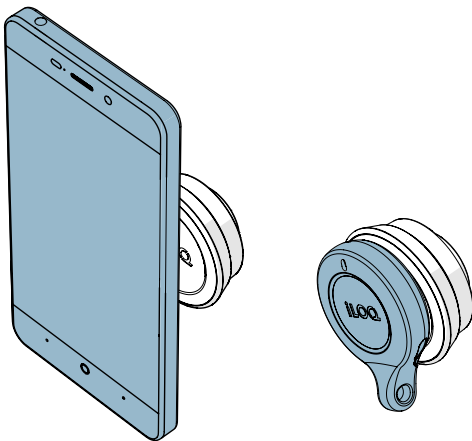


NOTE! Depending on the configuration, the lock will stay in the open status for 5-15 seconds. Do not force the knob.

3. Release the reader knob to make sure that it is not preventing lock-case functionality.
- If the test fails (for example, the lock case gets stuck in an open position), use the iLOQ AC50.1 accessory with the cylinder. See chapter "4.2 Installation with oval/Finnish retrofit cylinder centering piece".

5. Operating instructions

1. Hold a valid key against the knob and wait until the key shows a green light.

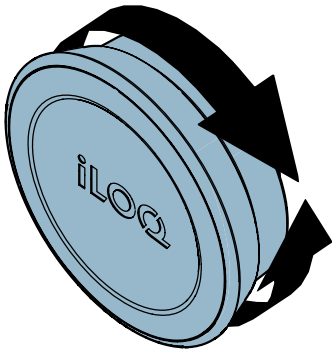


NOTE! Due to the large variety of phone models and operating system versions, iLOQ cannot guarantee that all NFC-enabled phones will work seamlessly with our NFC locks.



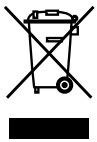
NOTE! Before using the locks, check where the NFC antenna is located in your phone so that you know the best position to hold the phone against the knob.

2. Turn the knob to unlock the door, then open the door.



NOTE! Depending on the configuration, the lock will stay in the open status for 5-15 seconds. Do not force the knob.

6. Disposal of decommissioned products







Never discard an electrical appliance in household waste. Follow the local laws and regulations for safe and environmentally friendly product disposal.



Before discarding products, bear in mind that most iLOQ products are reusable. All programmable products can be reset to factory settings, after which they can be reused in another system.

Recycling instructions of decommissioned products are depicted below.

Decommissioned product	Sorting
Decommissioned iLOQ fittings, mounting accessories and thumb turn knobs can be recycled as scrap metal.	
Decommissioned iLOQ products containing electronics and circuit boards, such as iLOQ Cylinders, iLOQ Keys, net bridges, door modules, key and NFC readers, and relay cards, must be recycled at an electrical and electronic equipment collection point.	

<p>iLOQ products containing batteries and accumulators, such as key fobs, programming keys and clock circuits, should be recycled at a regional collection point for batteries and small accumulators.</p>	
<p>Most iLOQ packaging materials are suitable for cardboard and plastic recycling.</p>	

7. Compliance

The products mentioned inside this user guide are in conformity with the requirements of the directives declared on this page

CE

SIMPLIFIED EU DECLARATION OF CONFORMITY:

Hereby, iLOQ Oy declares that the radio equipment type C50S Lock Cylinders are in compliance with Directive 2014/53/EU. The full text of the EU declaration of conformity is available at the following internet address: www.iloq.com/en/declaration-of-compliance/

Communication standard: NFC 13,56 MHz Load modulation (ASK) ISO/IEC 14443A, no transmitter.

FCC

Chapter 1, Subpart A, Part 2 of Title 47 of the Code of Federal Regulations

The conformity was assessed in accordance the following standard:

FCC - FCC Rule Part 15

Note: This equipment has been tested and found to comply with the limits for a Class B digital device, pursuant to part 15 of the FCC Rules. These limits are designed to provide reasonable protection against harmful interference in a residential installation. This equipment generates, uses and can radiate radio frequency energy and, if not installed and used in accordance with the instructions, may cause harmful interference to radio communications. However, there is no guarantee that interference will not occur in a particular installation. If this equipment does cause harmful interference to radio or television reception, which can be determined by turning the equipment off and on, the user is encouraged to try to correct the interference by one or more of the following measures:

- Reorient or relocate the receiving antenna.
- Increase the separation between the equipment and receiver.
- Connect the equipment into an outlet on a circuit different from that to which the receiver is connected.
- Consult the dealer or an experienced radio/TV technician for help.

ISED

Innovation, Science and Economic Development Canada (ISED)

The conformity was assessed in accordance the following standard:

ISED - ICES 003, Issue 7: 2020 - class B



iLOQ S50
C50S.XXX.SD(.SE) Oval cylinder
User Guide

iLOQ

support.iloq.com

Elektroniikkatie 10

90590 Oulu

Finland