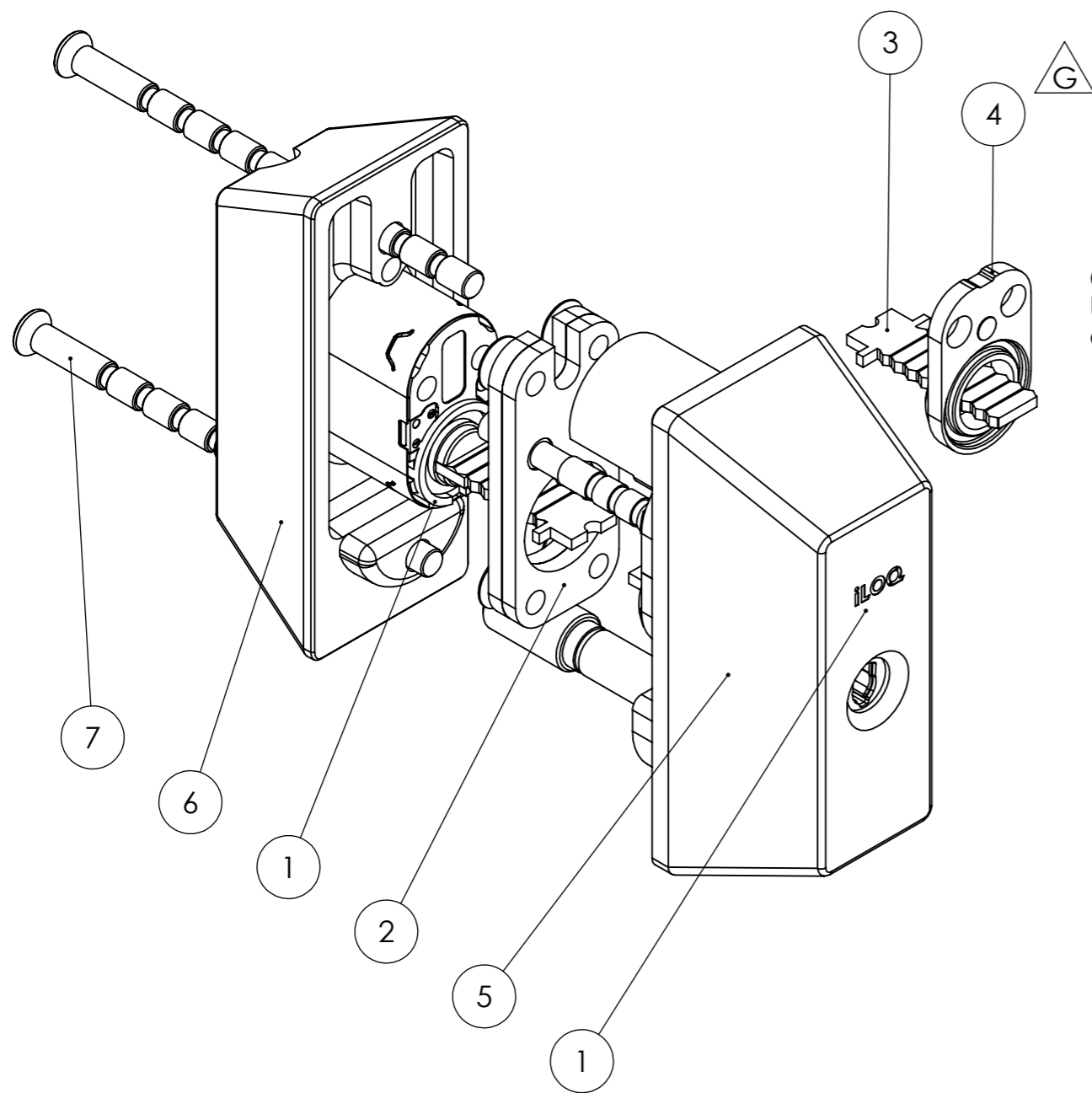



This document and its contents are the property of ILOQ Oy and must not be copied, reproduced or disclosed to any third party without prior written permission. Contravention will be prosecuted.



OPTIONAL PARTS:
Use if cylinder position
adjustment needed

Item	Salescode	Description 1	Standard	Dimension	Default/Qty
7		Break away screw, 12.9	-	M5x90	2
6		Escutcheon 26mm, Inside			1
5	E10.E10	High Security Escutcheon 33mm	-	-	1
4	A10.33	Extension piece 3mm	-		1
3	A10.41	Tailpiece	-	L = 33	1
2	A10.2.01	A10.2.01	-	-	1
1		Oval cylinder			2

Design: TJu 27.02.2012	Metric: mm	Std. Size: - -	Tolerance: 3D Master Data to be followed! General tol. acc. ISO2768-1 mK Size ISO 14405 (E) (L) 0.2 Geometric tol. symbols acc. ISO1101:2017 Surface rough. symbols acc. ISO1302:2002
Drawn: STo 15.11.2012		Material: -	
Check'd: - -	Size: A3	Finish: -	
Appr'd: KyroJu 14.04.2021	Sheet: 1/2	Color, texture: - Mfg type: Title:	



All rights reserved. Copyright © 2006
ILOQ Oy
<http://www.iloq.com>

E102.

Cylinder assembly set

Sales code: **E102**

Drawing number: _____

Rev. **G**