

C50S.111.SD Oval cylinder

System-level description

The patented, award winning iLOQ S50 locking system offers advanced security and convenient access sharing capabilities for master-key locking environments.

The iLOQ C50S cylinders harvest electricity wirelessly from NFC field, which enables using phone not only as a key but also as a power source thus the lock is completely battery free. As no batteries are required, the locks are maintenance free and environmentally friendly green solution that eliminates work, costs, waste and harm associated with battery powered solutions.

The lock doesn't have a keyway due to the contactless NFC operation. It is designed to be used in harsh environments where the locks are exposed to dust, moisture and varying temperature conditions ranging from extremely cold to hot weather.

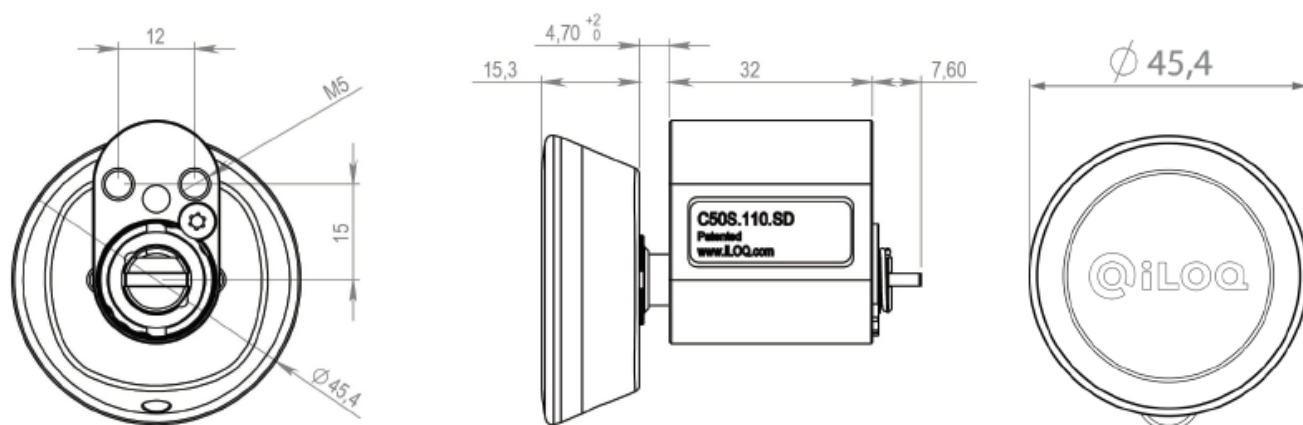
The phone as a key enables flexible access sharing with time restrictions and audit trail reporting over the air. The security level is kept high and security gaps caused by lost key can be eliminated completely without costly change of locks and keys.

The cylinder is available in two different reader lengths; short and long. The short reader position can be adjusted 2 mm and the long reader 4 mm in 2 mm steps.

Feature summary

- Battery-free programmable electromechanical lock cylinder for iLOQ S50 locking system
- NFC-powered: no batteries required for the lock
- Opening with NFC enabled Android phone or iLOQ K55S Key Fob
- Secured using powerful AES256 encryption and mutual authentication
- Initial programming with PC and iLOQ P55S.1 Programming Token in connection to server
- Access right list for access groups
- Blocklist for individual lost keys
- Internal audit trail record with time stamp (can be configured on/off)
- Supports time restrictions
- Can be configured to require online opening authentication
- Re-programming with keys (Android phone or K55S Key Fob)
- Firmware updateable
- NFC 13,56 MHz Load modulation (ASK) ISO/IEC 14443A, no transmitter.

Dimensional drawing



Memory capacity

| | |
|----------------------------------|-----|
| Number of access rights | 210 |
| Number of blocklisted keys | 500 |
| Number of time slots | 10 |
| Size of event log | 500 |

Technical data

| | |
|---|---------------------------------------|
| Ingress protection rating | IP55 |
| Oval cylinder frame type | Regular |
| Reader type | Short reader |
| Surface treatment | Satin chrome |
| Maximum temperature | 80°C |
| Minimum temperature | -40°C |
| Attack resistance (EN 15684:2020) | Grade D with high security escutcheon |
| Category of use (EN 15684:2020) | Grade 1 |
| Credential related security (EN 15684:2020) | Grade D |
| Durability (EN 15684:2020) | Grade 6 |
| Environmental resistance (EN 15684:2020) | Grade 3 |
| Fire/smoke resistance (EN 15684:2020) | Grade 0 |
| Mechanical key related security (EN 15684:2020) | Grade 0 |
| System management (EN 15684:2020) | Grade 3 |