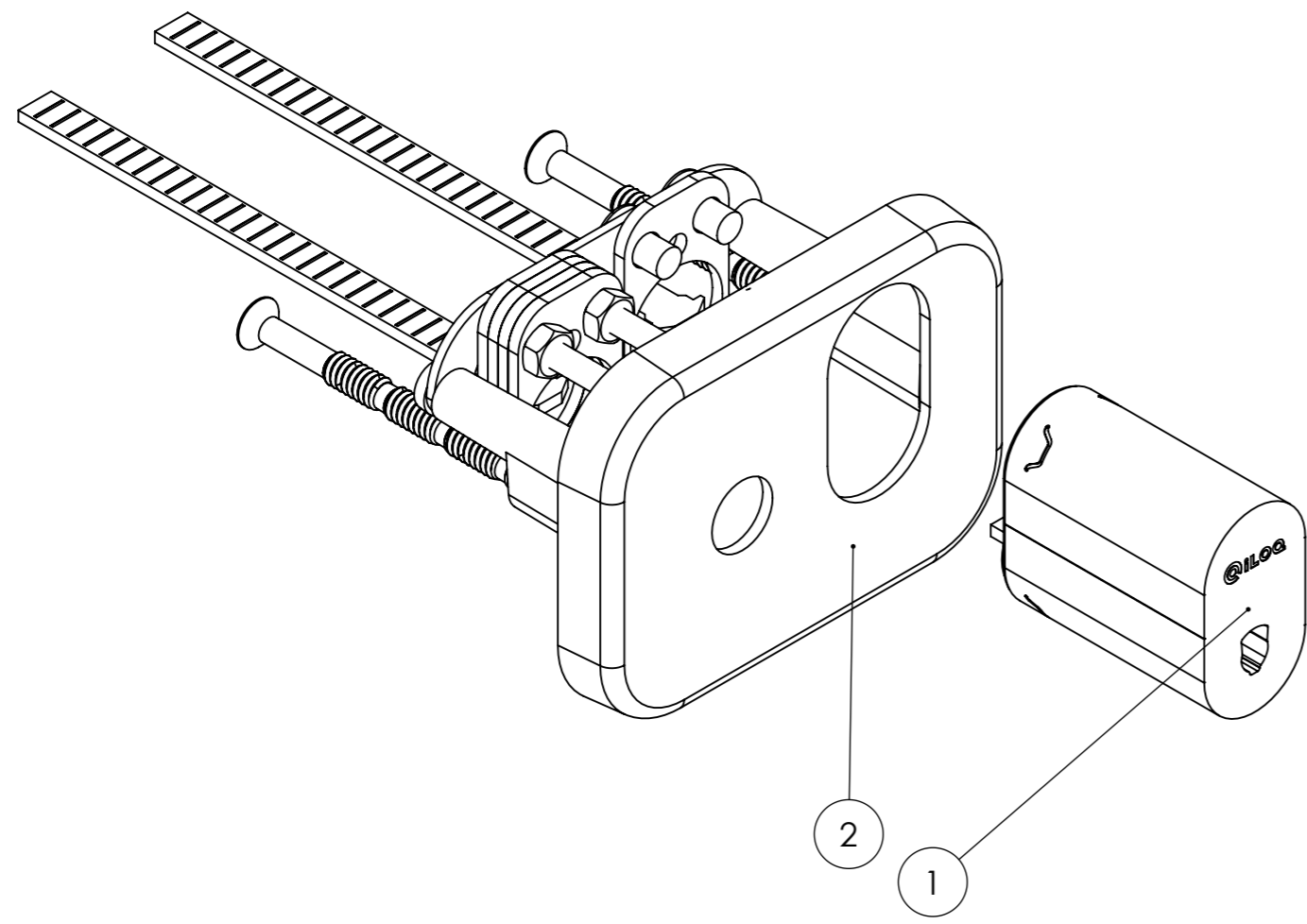


iLoq® and @iLoq™ are registered trademarks of iLoq Oy. This document and its contents are the property of iLoq Oy and must not be copied, reproduced or disclosed to any third party without prior written permission. Contravention will be prosecuted.



2		installation instructions	-	-	1
1		Oval cylinder			1
Item		Description 1	Standard	Dimension	Default/Qty
Design: TJU 23.02.2012	Metric: mm	Std. Size: --	Tolerance: General tol. acc. ISO2768 - ? Geometric tol. symbols acc. ISO1101 Surface rough. symbols acc. ISO1302		
Drawn: TJU 23.02.2012		Material: -			
Chec'd: _ _	Size: A3	Finish: -			
Appr'd: _ _	Sheet: 1/2	Color, texture: -			
Product: _	Title: B107.				
 All rights reserved. iLOQ Oy Copyright © 2006 http://www.ilooq.com		Cylinder assembly set			
		Sales code	Drawing number:		F Rev. C