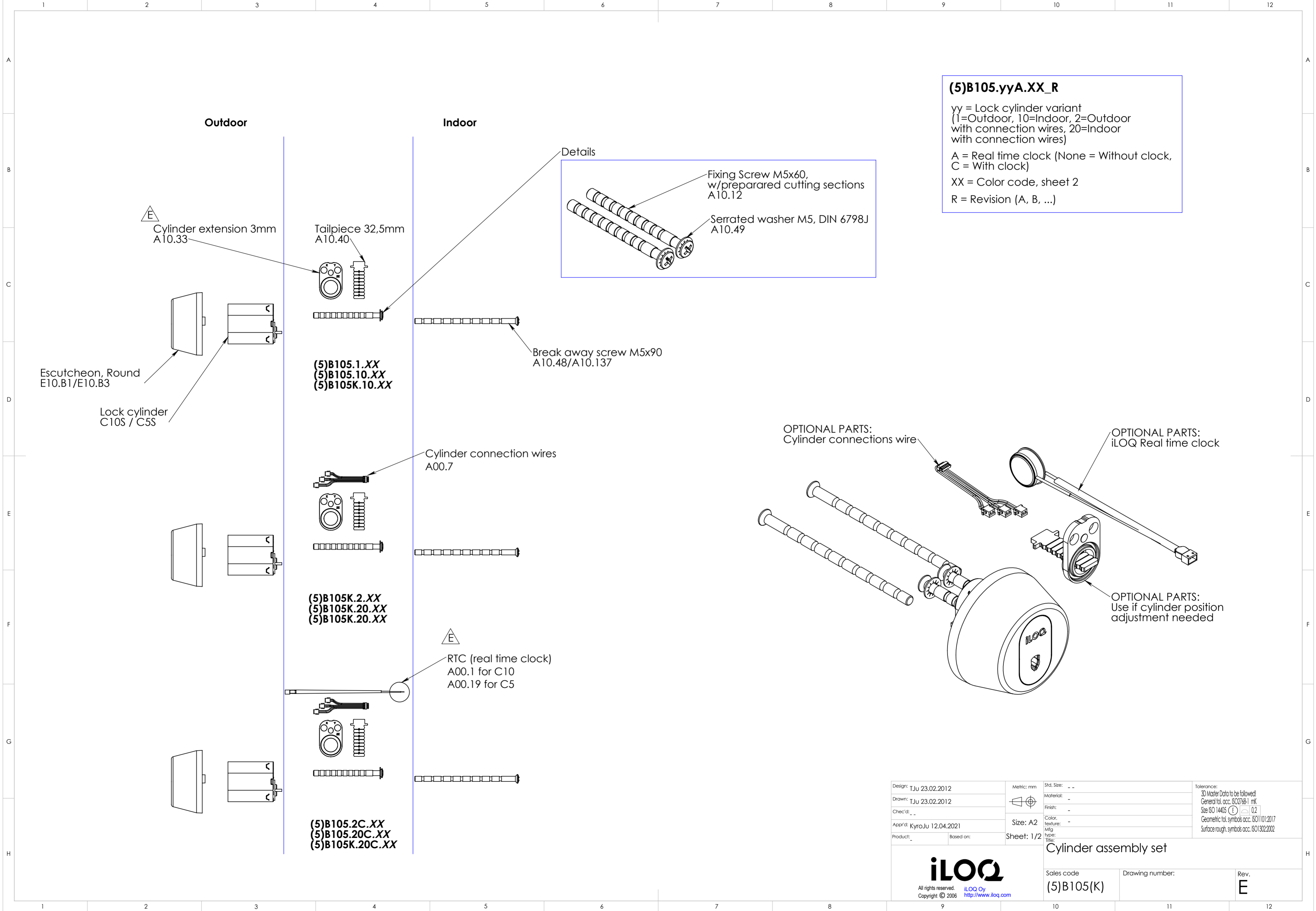
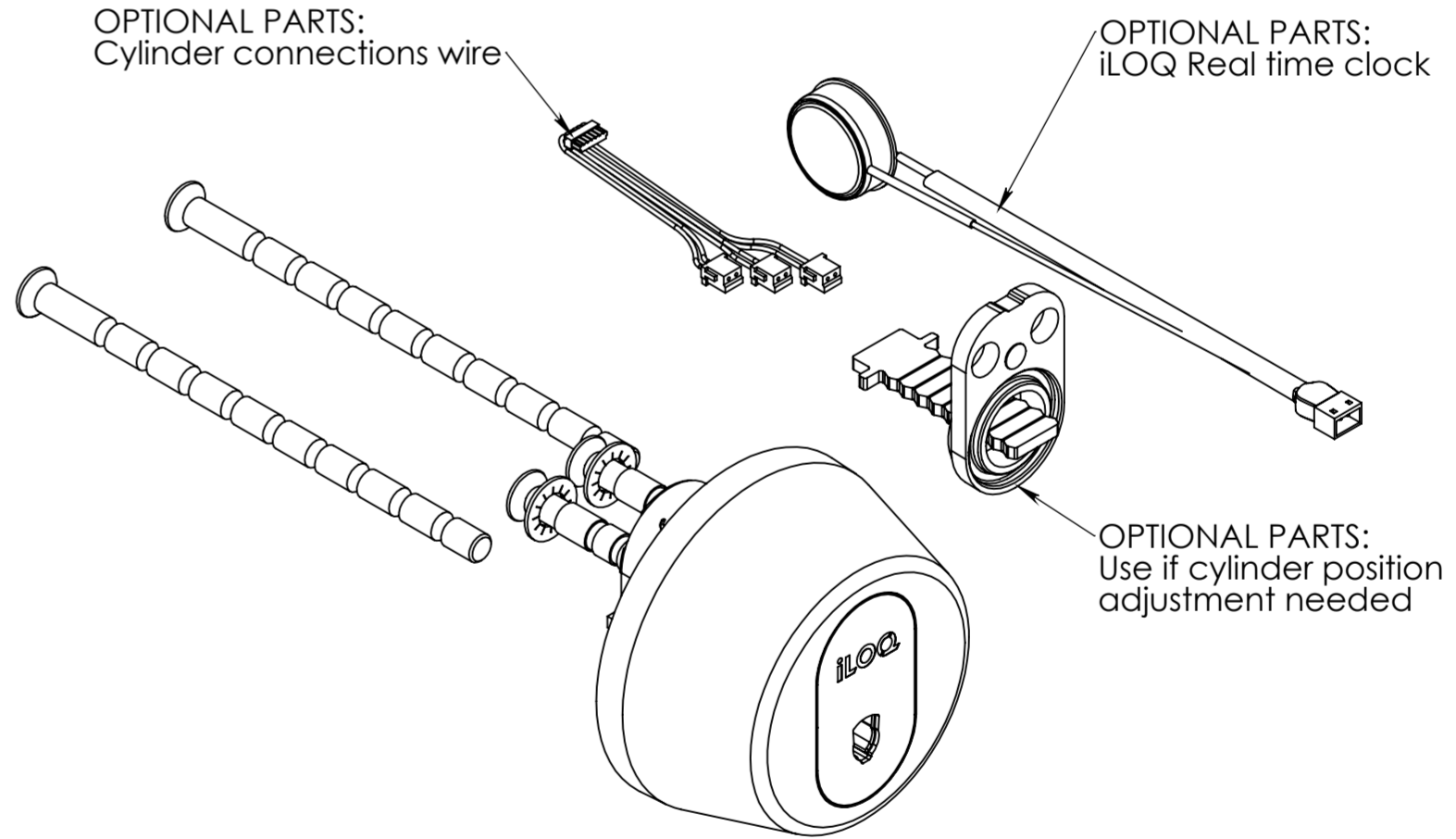
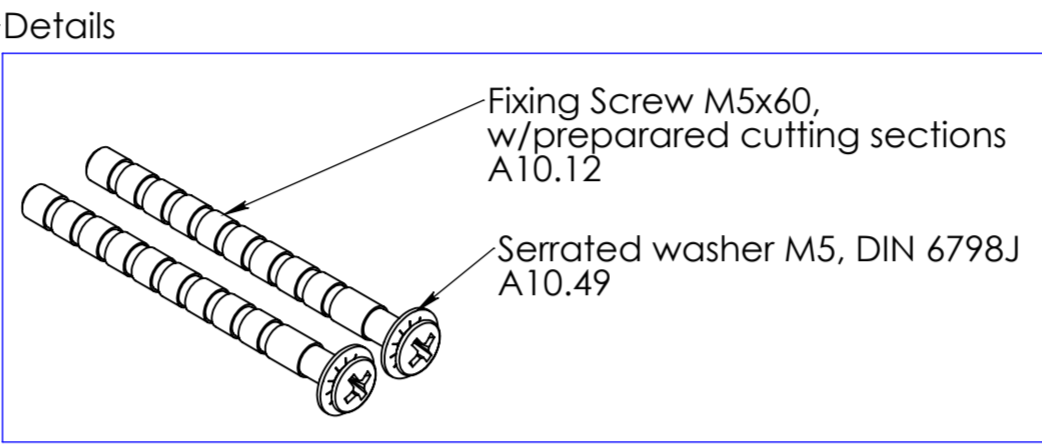


This document and its contents are the property of ILOQ Oy and must not be copied, reproduced or disclosed to any third party without prior written permission. Contravention will be prosecuted.



(5)B105.yyA.XX_R
 yy = Lock cylinder variant
 (1=Outdoor, 10=Indoor, 2=Outdoor with connection wires, 20=Indoor with connection wires)
 A = Real time clock (None = Without clock, C = With clock)
 XX = Color code, sheet 2
 R = Revision (A, B, ...)



Design: TJu 23.02.2012	Metric: mm	Std. Size: --	Tolerance: 3D Master Data to be followed!
Drawn: TJu 23.02.2012	Material: -	Finish: -	General tol. acc. ISO2768-1 mK
Check'd: -			Size ISO 14405 (E) 0.2
Appr'd: KyroJu 12.04.2021	Size: A2	Color: -	Geometric tol. symbols acc. ISO 1101:2017
Product: -	Based on: -	Mfg type: -	Surface rough. symbols acc. ISO 1302:2002
Sheet: 1/2		Cylinder assembly set	
Sales code: (5)B105(K)		Drawing number: -	Rev. E

